

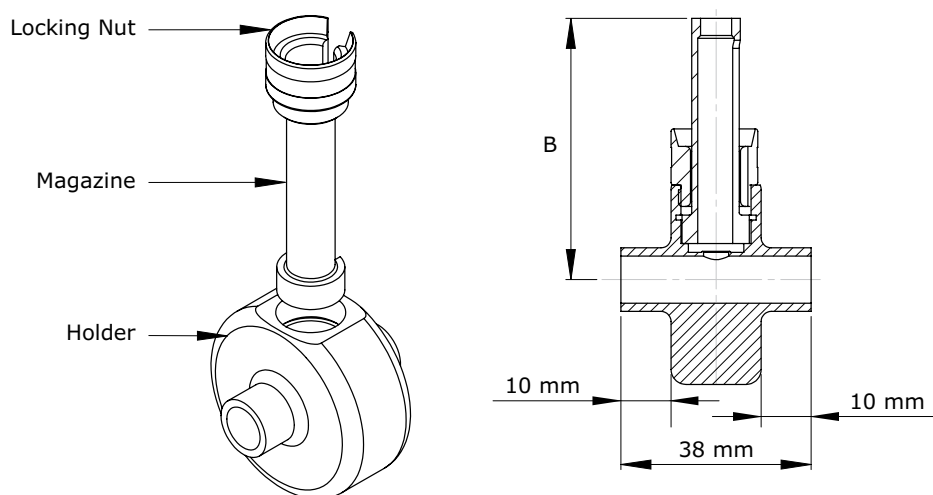
# NovaSeptum® In-Line Butt-End Holder

General Sampling Cat. No.: AP11/###x###-3D4  
Cell Culture Sampling Cat. No.: AP12/###x###-3D4

## Product Description

The NovaSeptum® holder is designed to be welded on a pipe for in-line sampling. The holder can be autoclaved and is available for both general and cell culture sampling.

## NovaSeptum® In-Line Butt-End Fully Machined Holder Configuration



## US Tube

Tube Nominal Dimensions in mm (in.)	B	Cat. No.
<b>ASTM® A 269/270</b>		
12.7 x 1.65 mm (0.5 in. x 0.065 in.)	53 mm (2.1 in.)	AP11/127x94-3D4
19.05 x 1.65 mm (0.75 in. x 0.065 in.)	56 mm (2.2 in.)	AP11/191x158-3D4
12.7 x 1.65 mm (0.5 in. x 0.065 in.)	53 mm (2.1 in.)	AP12/127x94-3D4
19.1 x 1.65 mm (0.75 in. x 0.065 in.)	56 mm (2.2 in.)	AP12/191x158-3D4
<b>DIN 11850 (part 2)</b>		
13 x 1.5 mm	53 mm	AP11/130x100-3D4
19 x 1.5 mm	56 mm	AP11/190x160-3D4
13 x 1.5 mm	53 mm	AP12/130x100-3D4
19 x 1.5 mm	56 mm	AP12/190x160-3D4

## Specifications

<b>Materials of Construction</b>	Holder	Stainless steel in compliance with 316L EN 1.4435, EN 10 272, ASME® SA 479/ASTM® A 479, fully machined
	Magazine	PPS, high-temperature resistant plastic compound
	Locking Nut	Stainless steel in compliance with SS2346, ASTM® 303
<b>Nominal Dimensions</b>	Weight	0.2 kg
<b>Environmental</b>	Surface Finish	Wetted parts (electropolished) Ra ≤ 0.5 μm
	Operating Temperature	-80°C to 150°C (-112°F to 302°F)
	Maximum Operating Pressure	Withstand 6.00 bar (g) (87 psi)
	Traceability	The product and packaging label includes the catalog and lot number. Each holder is marked for full lot traceability and heat number.
	ASME® BPE	Manufactured according to ASME® BPE guidelines
Packaging	All open ends on the NovaSeptum® holders are protected with plastic covers. The holder is pre-assembled and packed in a closed box to reduce exposure.	

## Ordering Information

### Electropolished + Glass-Blasted

Sampling Type	No. of Sample Ports	Tube Size (O.D.φ)	Cat. No.
General	1	0.5 in. (ASTM®)	AP11/127x94-3D4
		0.75 in. (ASTM®)	AP11/191x158-3D4
		13 mm (DIN)	AP11/130x100-3D4
		19 mm (DIN)	AP11/190x160-3D4
Cell Culture	1	0.5 in. (ASTM®)	AP12/127x94-3D4
		0.75 in. (ASTM®)	AP12/191x158-3D4
		13 mm (DIN)	AP12/130x100-3D4
		19 mm (DIN)	AP12/190x160-3D4

MilliporeSigma  
400 Summit Drive  
Burlington, MA 01803

For additional information, visit

[EMDMillipore.com](http://EMDMillipore.com)

To place an order or receive technical assistance, visit

[EMDMillipore.com/contactPS](http://EMDMillipore.com/contactPS)

