

Spare Parts List

Mobius® ADC Reactor

10 L, 100 L, 500 L

Table of contents

Spare parts list3-4

Illustrated views

System overview.....5-6

Mobius® ADC Reactor 10 L.....7-9

Mobius® ADC Reactor 100 L.....10-11

Mobius® ADC Reactor 500 L.....12-14

Control Box.....15-16

WAGO.....17

WAGO 10 L.....18

WAGO 100 L.....19

WAGO 500 L.....20



MilliporeSigma is the U.S. and Canadian Life Science business of Merck KGaA, Darmstadt, Germany.

Spare Parts

To help you select and manage the spare parts required for your system, our experts have performed a risk assessment to determine which parts to keep in stock.

The risk assessment is based on our experience; each customer must perform an individual risk assessment for their process, to check alignment with our strategy, and review the stock requirements accordingly.

As a result of this risk assessment, we defined 3 categories of spare parts:

Type of parts	Description	Stock recommendation
Preventive maintenance parts	These parts are subject to wear and tear and we recommend replacing them on a regular basis. Under average usage conditions, these parts should be replaced at least once per year. A risk assessment based on the specific system usage and production conditions may result in a need to replace some or all of these parts more frequently. Not replacing wear and tear parts as recommended can impact system functionality and may result in system shutdown.	1 part per unit
Critical parts	These parts have been identified as most critical to avoiding system downtime and are recommended to be kept in stock for immediate availability.	1 part per unit
All other parts	All other individual parts.	Risk-based customer decision

Based on our risk analysis, preventive maintenance and critical spare parts are essential to keep your equipment running. We recommend keeping preventive maintenance and critical spare parts in stock.

For additional information, please visit: [SigmaAldrich.com](https://www.sigmaaldrich.com)

Warning: This document only apply to systems mentioned in Mobius® ADC Reactor Data Sheet DS13685EN

Item #	Cat No.	Description	PM/Critical/ Other	Frequency	Field Service Required	10 L	100 L	500 L	Carrier	Control Box
#1	SPKHW000003	Pressure, gauge, HYM, 0–100 psi, 1/8" NPT , set of 1	Critical	As Required	For installation	X	X	X	X	
#2	SPKHW000001	Valve, pressure relief, LES, 3/4" Inlet, 1" outlet, 100 psig, set of 1	Critical	As Required	For installation	X	X	X	X	
#3	SPKHW000020	Frame, swiveling castor, COL, defender D4, with brakes, 5"—qty 4	Critical	As Required	No	X	X	X	X	
#4	SPKHPI001GEN	Piping, CON, quick, coupling, male, 3/4" NPT, with TC 1-1/2" OD 3/4", set of 1	Other	As Required	No	X	X	X	X	
#5	MIXSST0109442	Piping, CON, quick, coupling, male, 3/4" NPT	Other	As Required	No	X	X	X	X	
#6	MIXSST0109441	Piping, PAR, quick-coupling, female, 3/4" NPT , set of 1	Other	As Required	No	X	X	X	X	
#7	SPKGENINS036	Transmitter, PRE, programmable led indicator, set of 1	Critical	As Required	For installation and set-up	X	X	X		X
#8	SPKGENINS034	Conductivity, transmitter, HAM, H100 conductivity, set of 1	Critical	As Required	For installation and set-up	X	X	X		X
#9	SPKGENINS033	pH, transmitter, HAM, H100 pH, set of 1	Critical	As Required	For installation and set-up	X	X	X		X
10	SPKGENINS032	Conductivity, sensor, HAM, conducell 4 USF VP 120, set of 1	Critical	As Required	No	X	X	X		X
11	SPKGENINS031	pH, sensor, HAM, easyferm bio hb VP 120 pt 1000, set of 1	Critical	As Required	No	X	X	X		X
12	SPKGENINS030	Temperature, sensor, BUR, S20, TC 1-1/2", set of 1	Critical	As Required	No	X	-	-		X
#13	SPKGENINS029	Temperature, sensor, TUR, TP—504 a, TC 3/4", L = 100 mm, set of 1	Critical	As Required	No	X	X	X	X	
#14	SPKHW000016	Temperature, sensor, JUMO, POM C, 1 x pt 100, M12 , for SST mix, set of 1	Critical	As Required	No	-	X	X	X	
#15	SPKHPI124BRX	Weight, summation board, MET, analog junction box AJB540S, set of 1	Critical	As Required	No	X	X	X	X	
#16	SPKHW000006	Weight, load cell, MET, multimount 0745A, 110 kg, 15 ft, C3, set of 1	Critical	As Required	For installation	X	-	-	X	
#17	SPKHW000007	Weight, load cell, MET, multimount 0745A, 220 kg, 15 ft, C3, set of 1 mettler	Critical	As Required	For installation	-	X	-	X	
#18	SPKHW000008	Weight, load cell, MET, multimount 0745A, 550 kg, 15 ft, C3, set of 1	Critical	As Required	For installation	-	-	X	X	
#19	SPKGENINS035	Weight, transmitter, MET, ind360, panel mount, analog sensor, analog output 3 in-4 out, ethernet, base app., DC, set of 1	Critical	As Required	For installation and set-up	X	X	X		X
#20	SPKGENAUT009	I/O modules, fieldbus coupler, WAG, 750/753, Ethernet/ip, 4 th generation, eco, set of 1	Critical	As Required	For installation	X	X	X		X
#21	SPKGENELC043	I/O modules, power supply, WAG, 750/753, 24 VDC, fuse holder, set of 1	Critical	As Required	For installation	X	X	X		X
#22	SPKGENAUT002	I/O modules, digital, input card, WAG, 750/753, 8 channels, 24 VDC, 3 MS, set of 1	Critical	As Required	For installation	X	X	X		X
#23	SPKGENAUT012	I/O modules, digital, output card, wag, 750/753, 8 channels, 24 VDC, 0.5 A, set of 1	Critical	As Required	For installation	X	X	X		X
#24	SPKGENAUT004	I/O modules, analog, output card, wag, 750/753, 4 channels, 4–20 mA, set of 1	Critical	As Required	For installation	X	X	X		X
#25	SPKGENAUT013	I/O modules, analog, input card, wag, 750/753, 4 channels, 4–20 mA, single ended, set of 1	Critical	As Required	For installation	X	X	X		X

Note: Unless stated otherwise, default quantity (qty) is 1; you may need to order multiple units, based on your requirements.
Symbols indicate the part is visible in this document

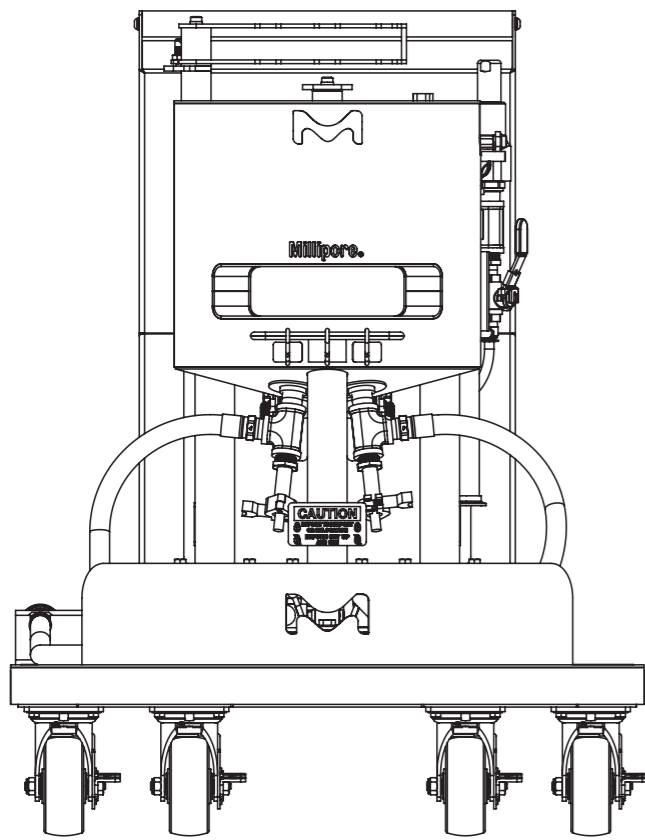
Item #	Cat No.	Description	PM/Critical/Other	Frequency	Field Service Required	10 L	100 L	500 L	Carrier	Control Box
#26	SPKGENAUT007	I/O modules, end module, wag, 750/753, internal bus termination, set of 1	Critical	As Required	For installation	X	X	X		X
#27	SN5SPKEL1MXCTR	Speed controller, LEV, mixer, mix 10/50, set of 1	Critical	As Required	For installation and set-up	X	-	-		X
#28	SPKMBTFFTNK001	Speed controller, LEV, mixer, mix 500/1000, set of 1	Critical	As Required	For installation and set-up	-	-	X		X
#29	SPKHPI156BRX	Controller, LEV, PLC module, set of 1	Critical	As Required	For installation	-	-	X		X
#30	SPKGENELC025	Power supply, PHO, quint4, 1-phase, 24 VDC, 10 A, set of 1	Critical	As Required	No	X	X	X		X
#31	SPKGENELC023	Power supply, PHO, trio, 1-phase, 48 VDC, 10 A, set of 1	Critical	As Required	No	X	X	-		X
32	SPKHPI155BRX	Cable, LEV, cable sensor for motor bsm—4.7–30, set of 1	Critical	As Required	For installation	-	-	X		X
33	SPKHPI154BRX	Cable, LEV, cable power supply for motor bsm—4.7–30, set of 1	Critical	As Required	For installation	-	-	X		X
34	SPKGENELC051	Cable, LEV, drive motor power cable, mix 10/50, set of 1	Critical	As Required	For installation	X	-	-		X
#35	SPKADCTNK001	Speed controller, LEV, mixer, mix 100/200, set of 1	Critical	As Required	For installation and set-up	-	X	-		X
36	SPKGENELC052	Cable, LEV, drive motor power cable, mix 100/200, set of 1	Critical	As Required	For installation	-	X	-		X
37	SPKGENELC053	Cable, LEV, drive motor signal cable, mix 100/200, set of 1	Critical	As Required	For installation	-	X	-		X
#38	SN5SPKEL1MIXER	Mixer, motor, LEV, mix 10/50, set of 1	Critical	As Required	No	X	-	-	X	
#39	MIX0200L107	Mixer, motor, LEV, mix 100/200, set of 1	Critical	As Required	No	-	X	-	X	
#40	MIX0500L107	Mixer, motor, LEV, mix 500/1000, set of 1	Critical	As Required	No	-	-	X	X	
41	SMPCNA	Power cable, North America, nema 5–15P, IEC plug type B, set of 1	Other	As Required	No					
42	SMPCEU	Power cable, Europe, cee 7/7, IEC plug type F, set of 1	Other	As Required	No					
43	SMPCANZ	Power cable, Australia/New Zealand, AS/NZS 3112, IEC plug type I, set of 1	Other	As Required	No					
44	SMPCIN	Power cable, India, is1293, IEC plug type M, set of 1	Other	As Required	No					
45	SMPCSZ	Power cable, Switzerland, sev—1011 type 12, IEC plug type J, set of 1	Other	As Required	No					
46	SMPCUK	Power cable, United Kingdom, BS 1363/A, IEC plug type G, set of 1	Other	As Required	No					
47	SMPCJP	Power cable, Japan, jis 8303, IEC plug type B, set of 1	Other	As Required	No					
48	SMPCCH	Power cable, China, gb2099, IEC plug type I, set of 1	Other	As Required	No					
49	SMPC1FL	Cable, single phase flying leads (without plug), set of 1	Other	As Required	No					
50	SMPC3FL	Cable, 200/208 VAC 3 phase flying leads (JP/NA) (without plug), set of 1	Other	As Required	No					
#51	Please contact us	Recorder, eur, 6100a video, 144 x 144 mm with or without analog input, set of 1	Critical	As required	For installation and set-up	X	X	X		X
#52	SPKGENVLV010	Valve, sha, ball valve ½" NPT , aisi 316, set of 1	Critical	As required	No	X	X	X	X	

Note: Unless stated otherwise, default quantity (qty) is 1; you may need to order multiple units, based on your requirements.
Symbols indicate the part is visible in this document

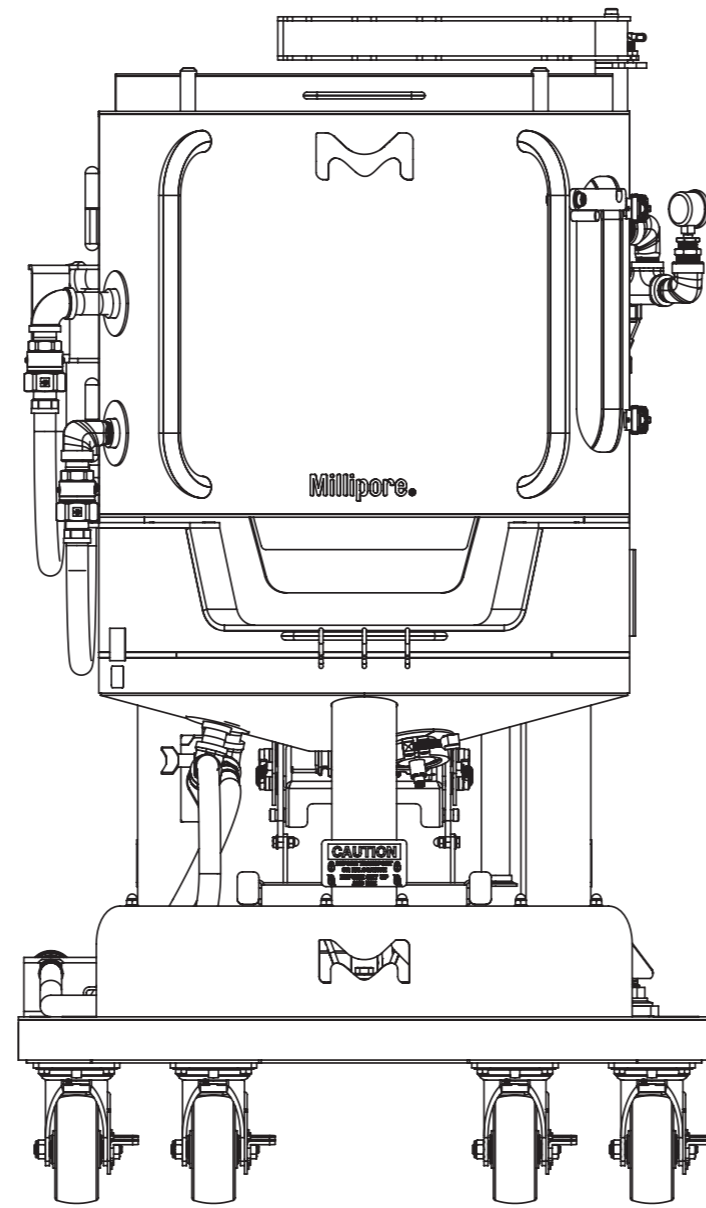
System overview

Mobius® ADC Systems sizes

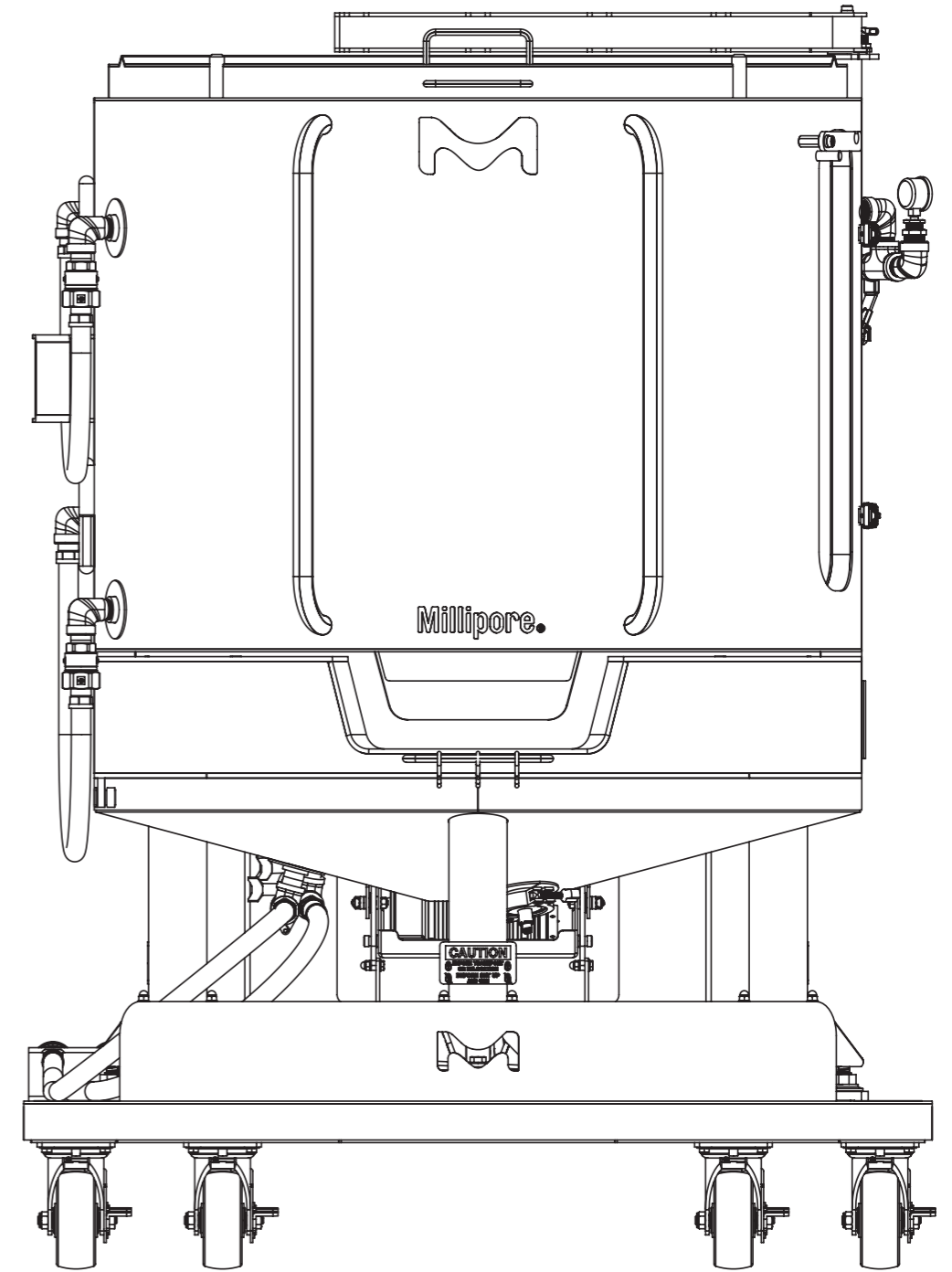
Mobius® ADC Reactors are available in 10 L, 100 L, and 500 L working volumes.



10 L



100 L

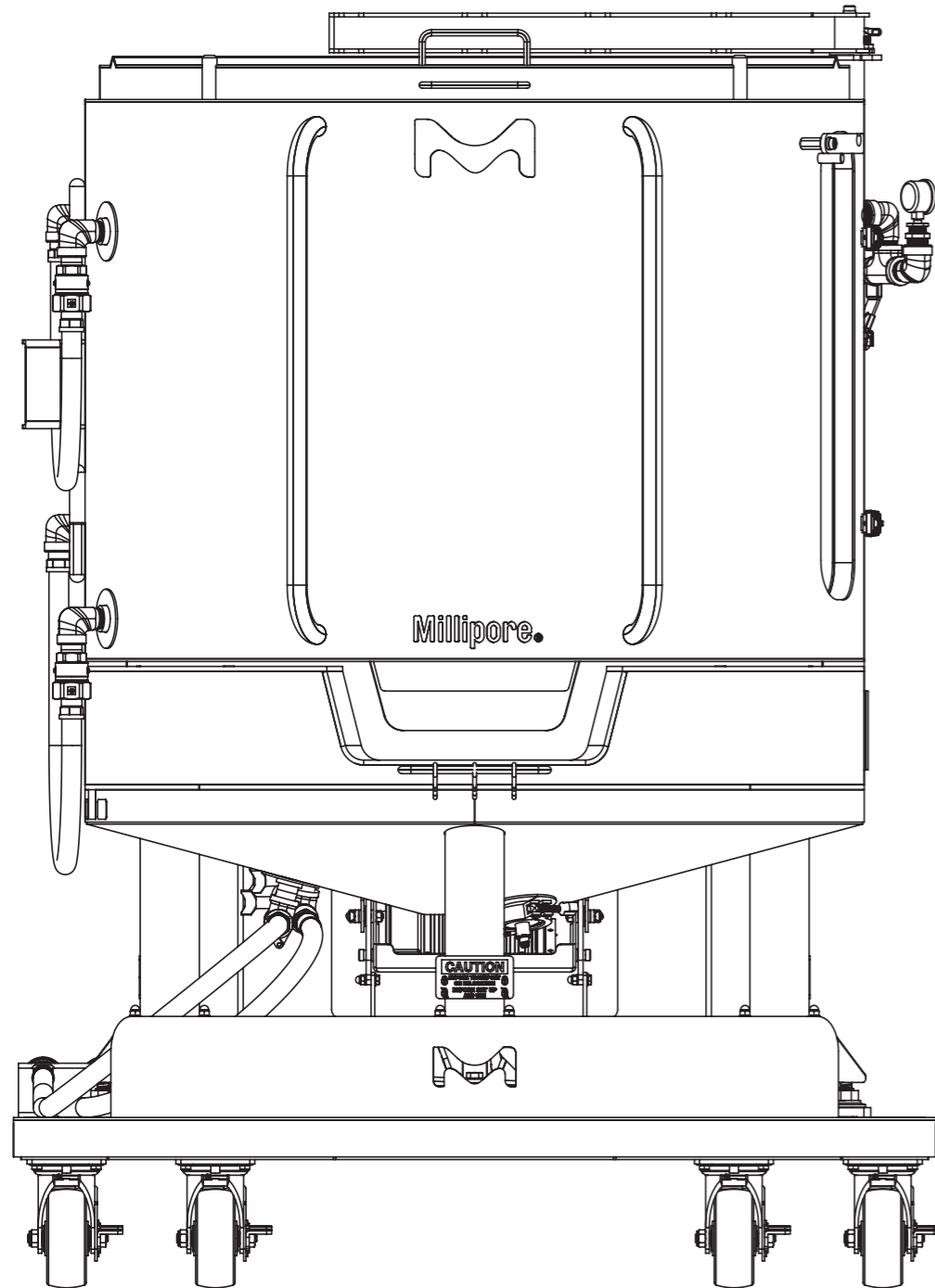


500 L

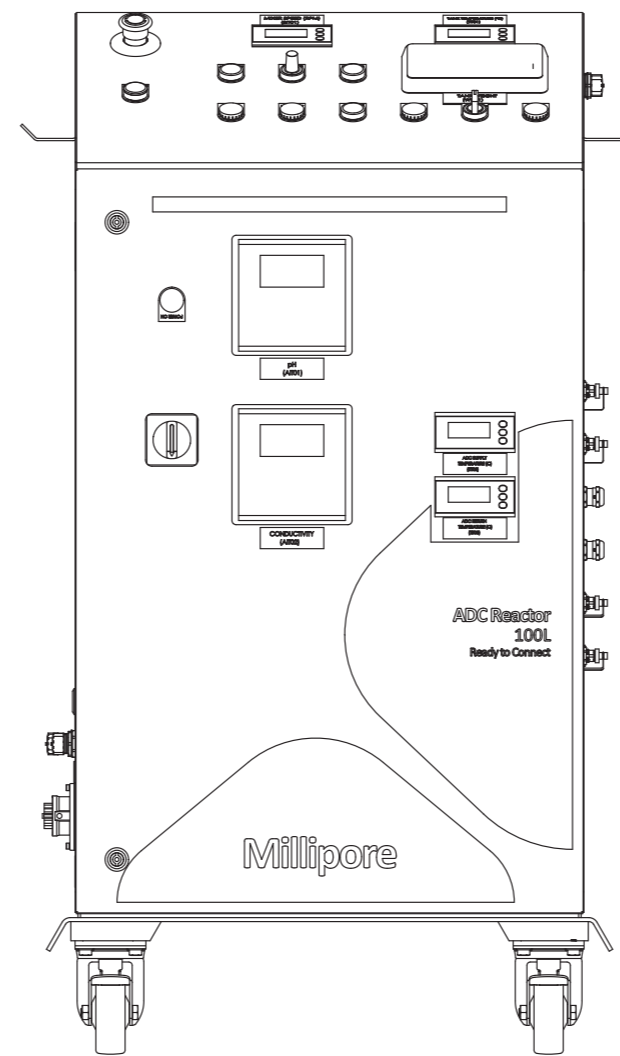
System overview

Mobius® ADC Reactor Component Overview

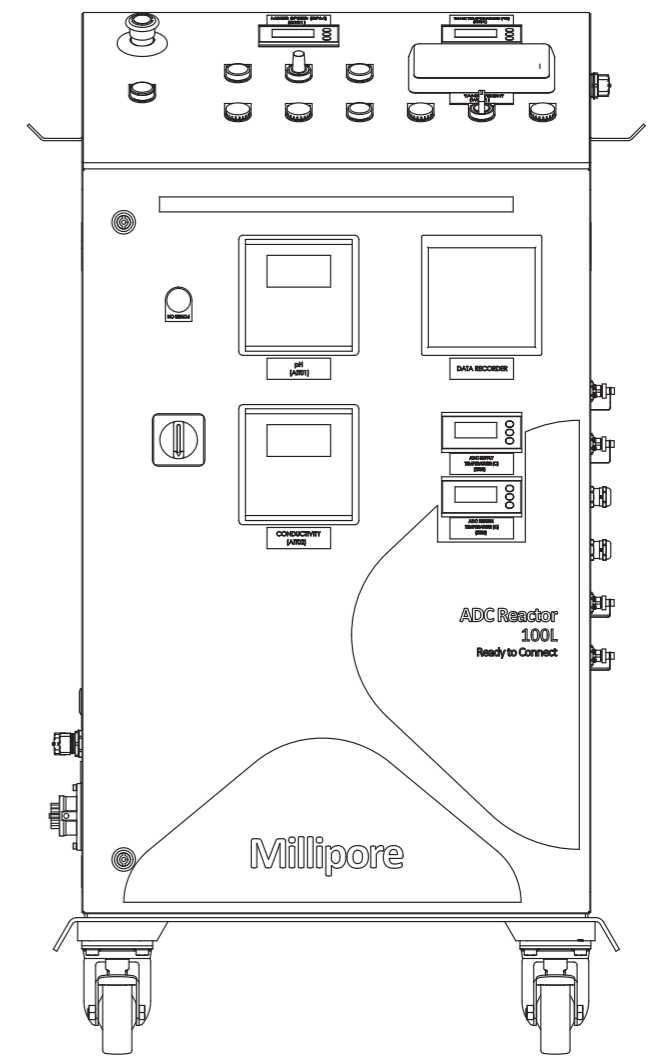
Mobius® ADC Reactor consists of 2 main components, the Carrier and the Control Box. The Control Box is available in 2 versions, one with recorder, one with remote input/output (RIO).



Carrier



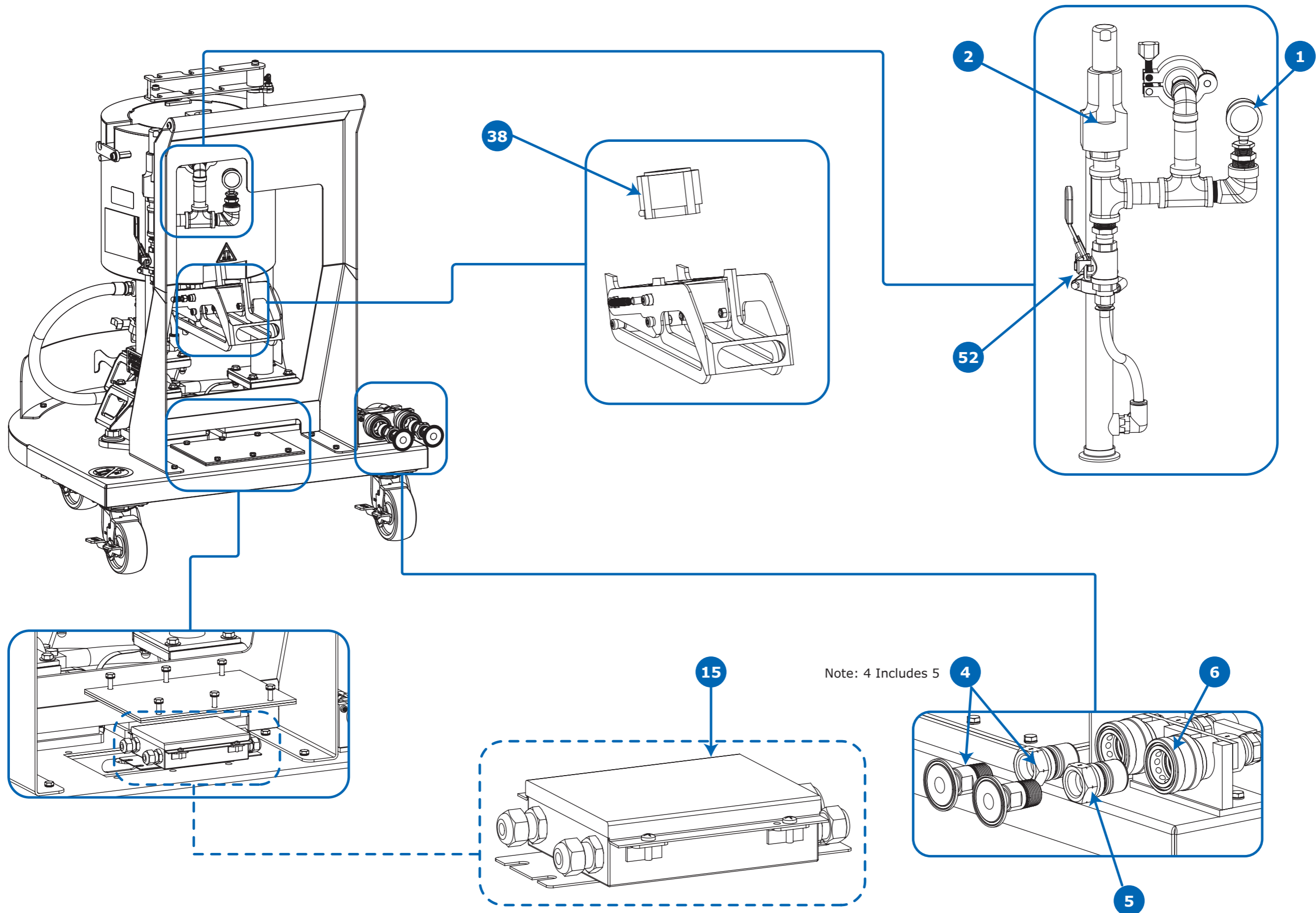
Control Box RIO



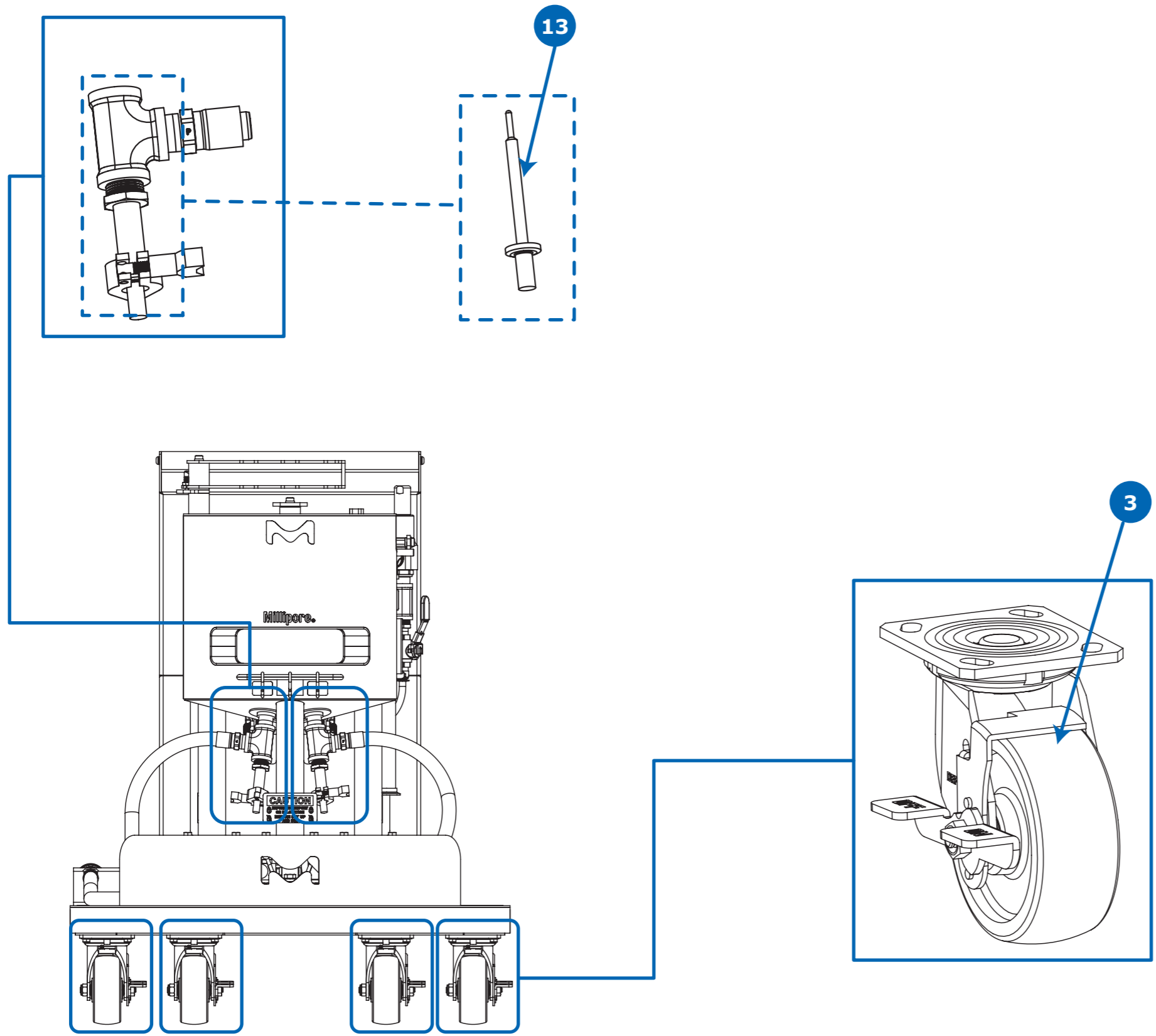
Control Box REC

Mobius[®] ADC Reactor Carrier Spare Parts

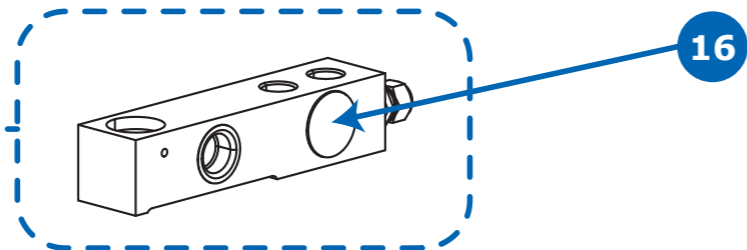
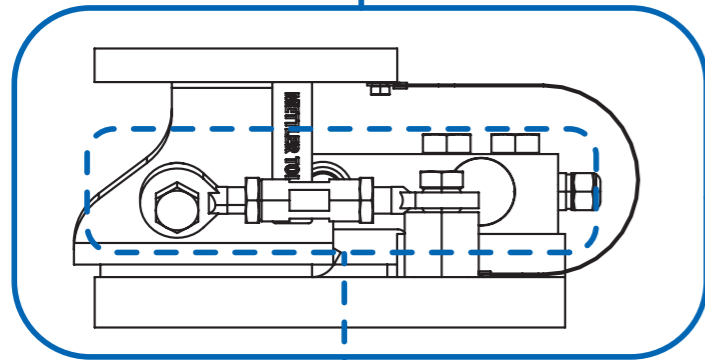
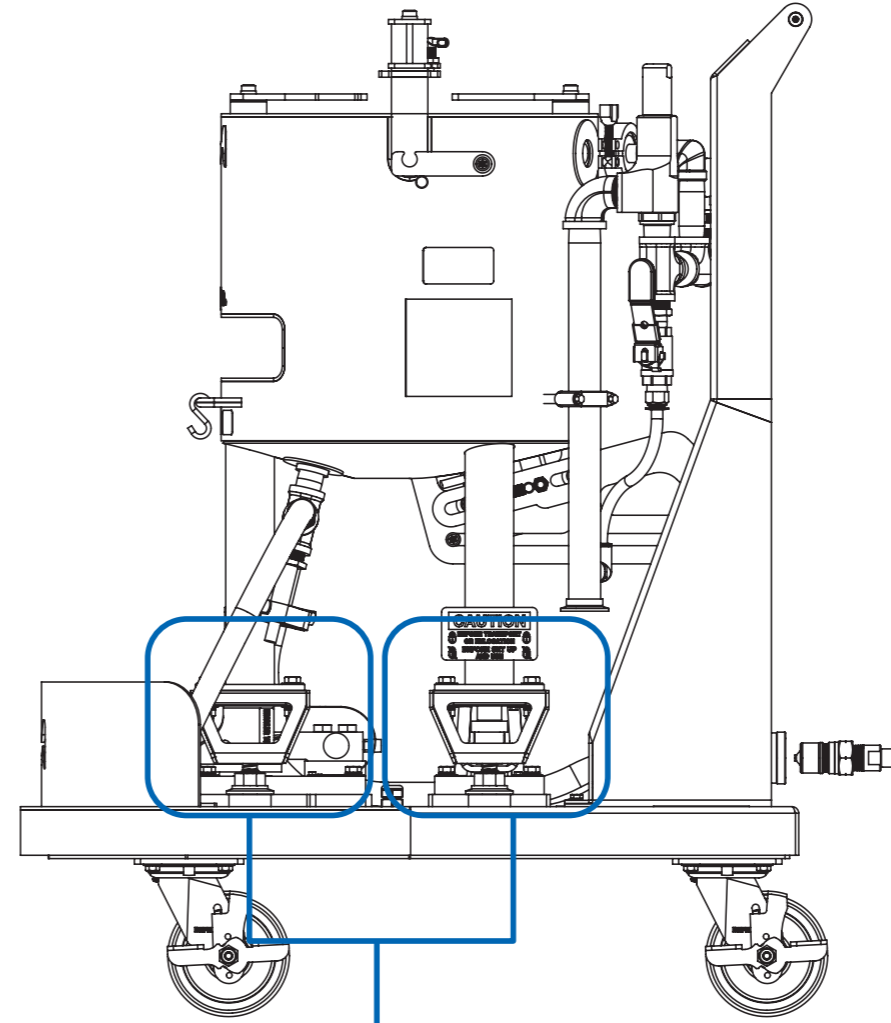
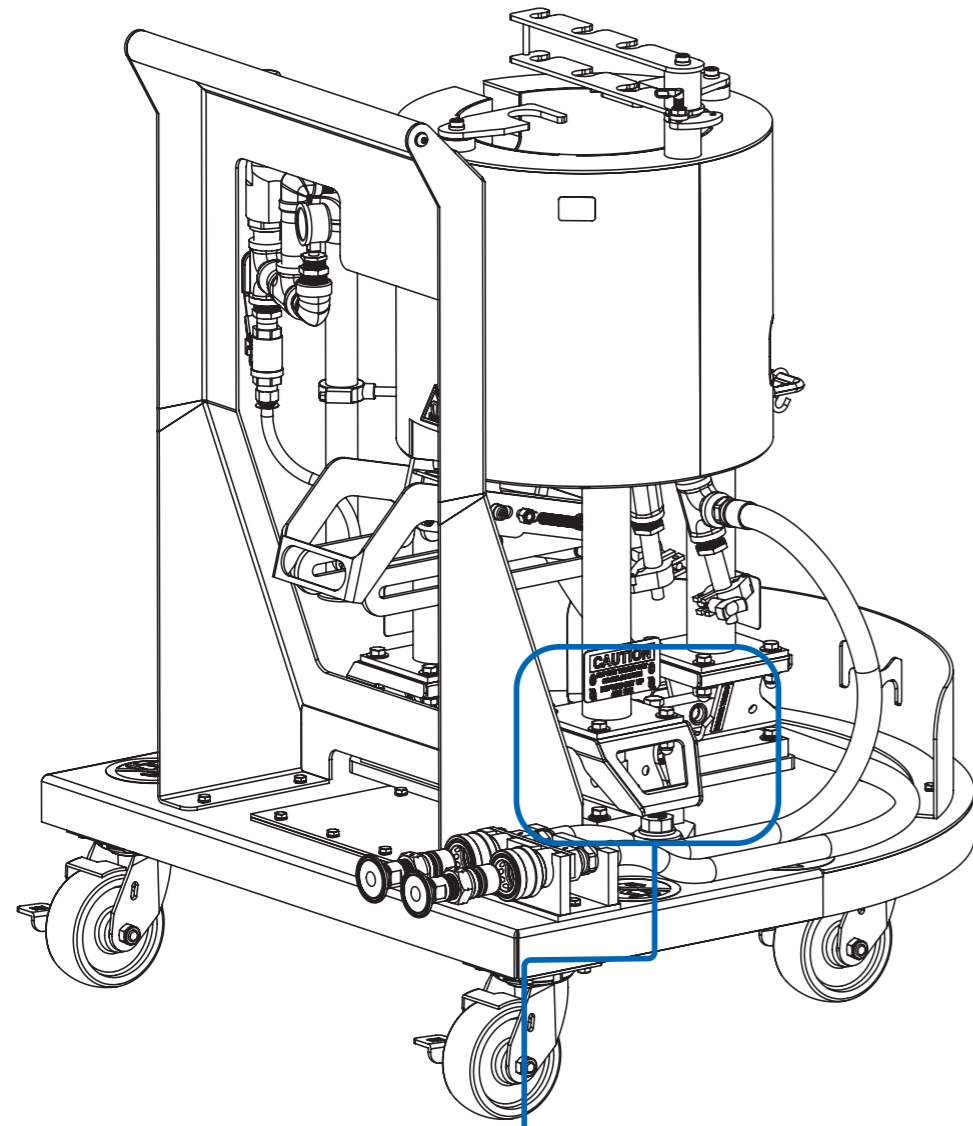
10 L



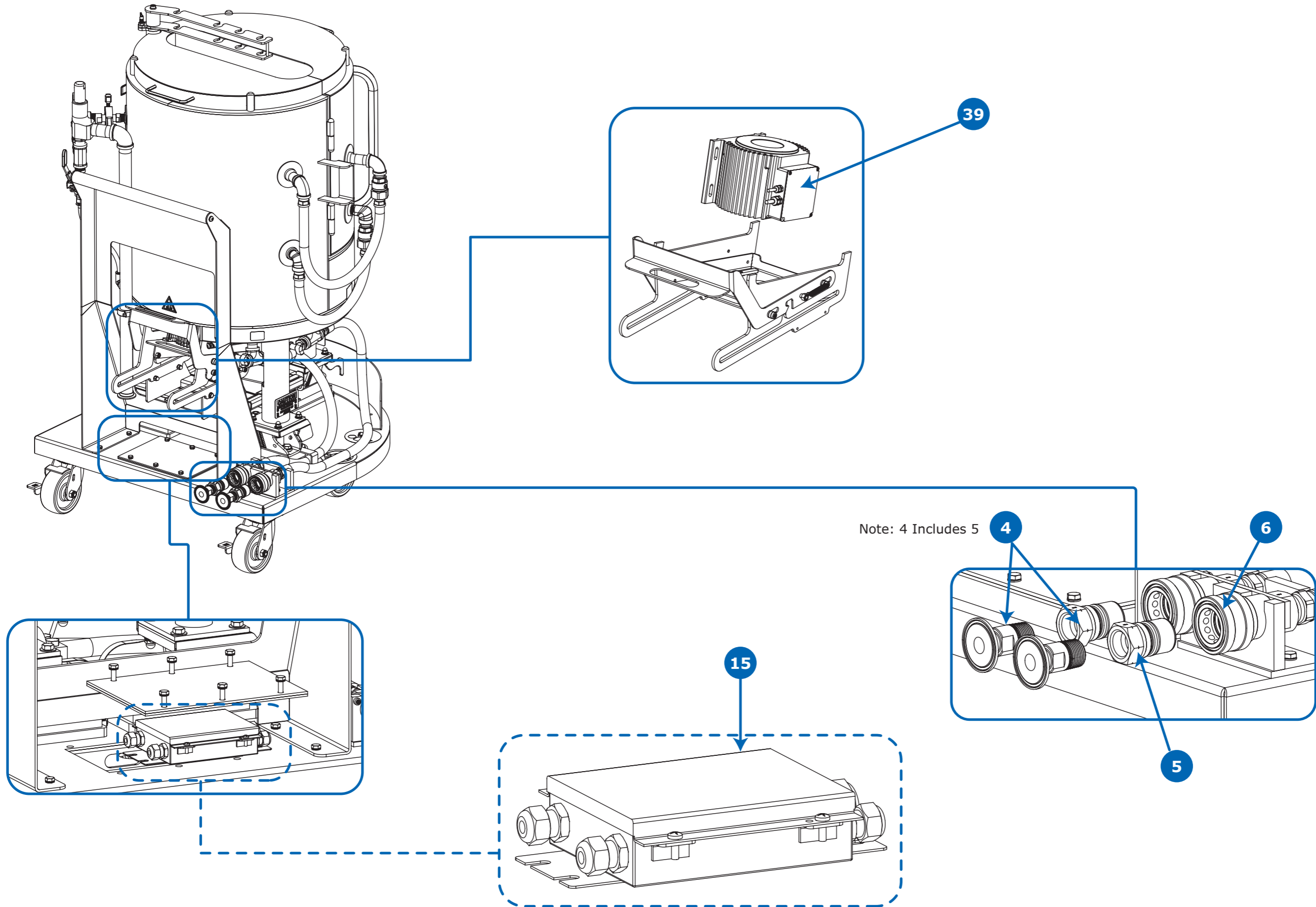
10 L (Continued)



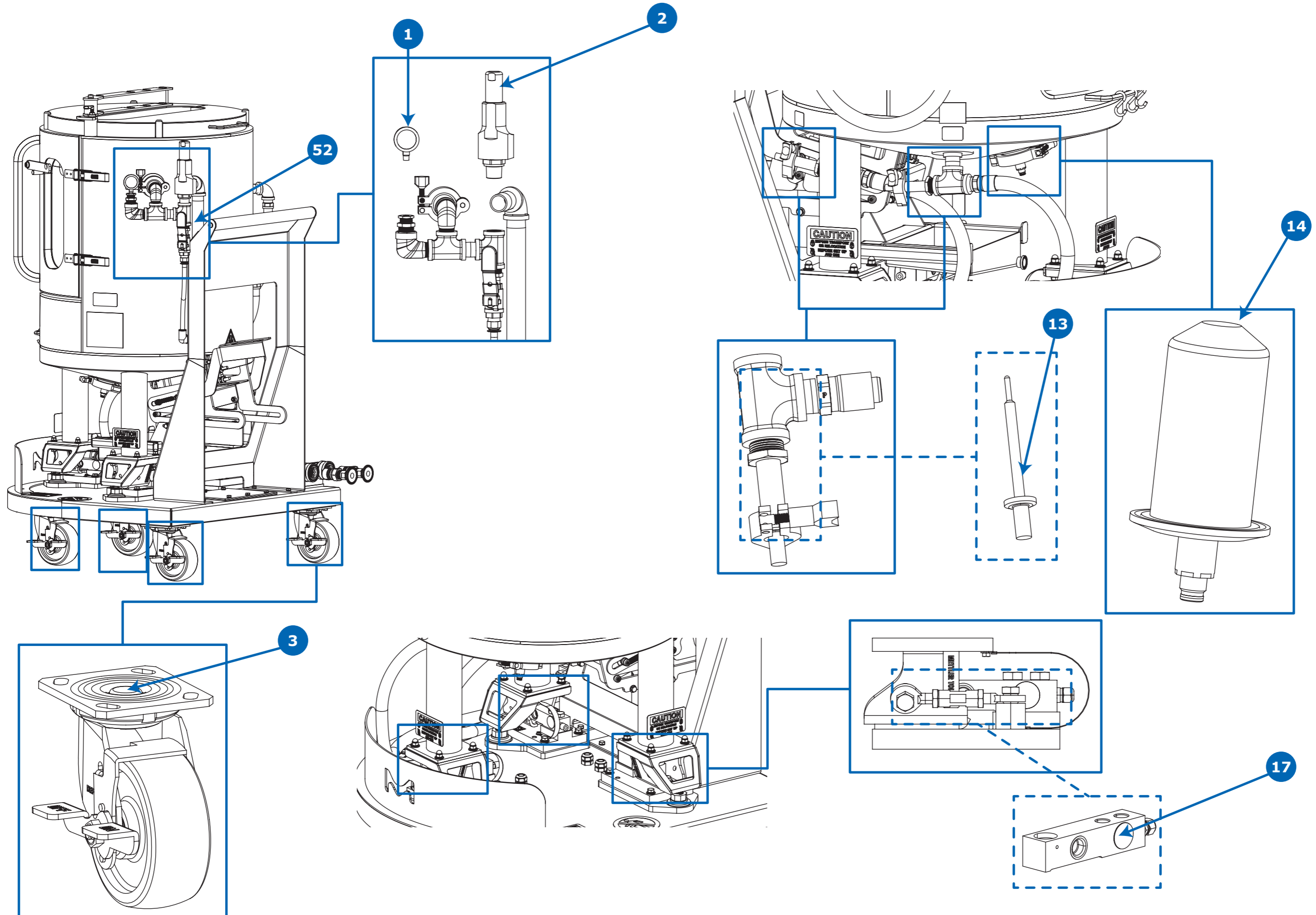
10 L (Continued)



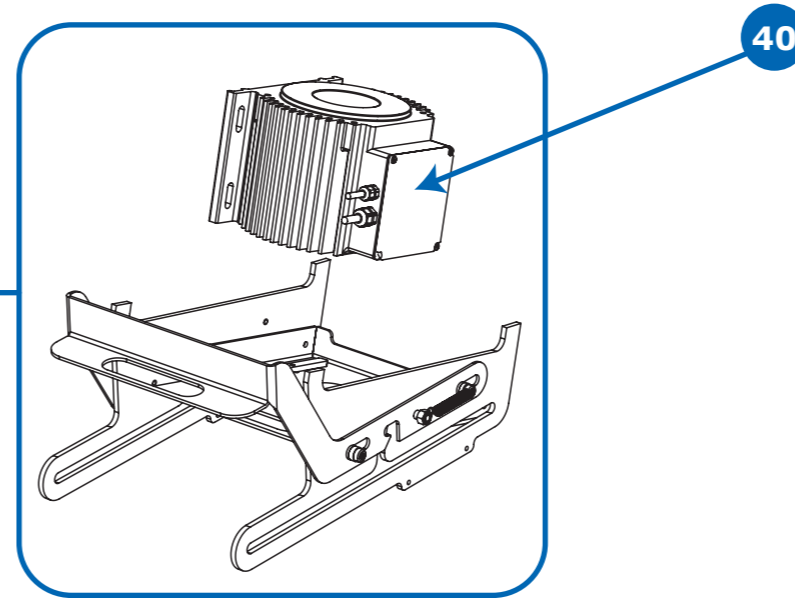
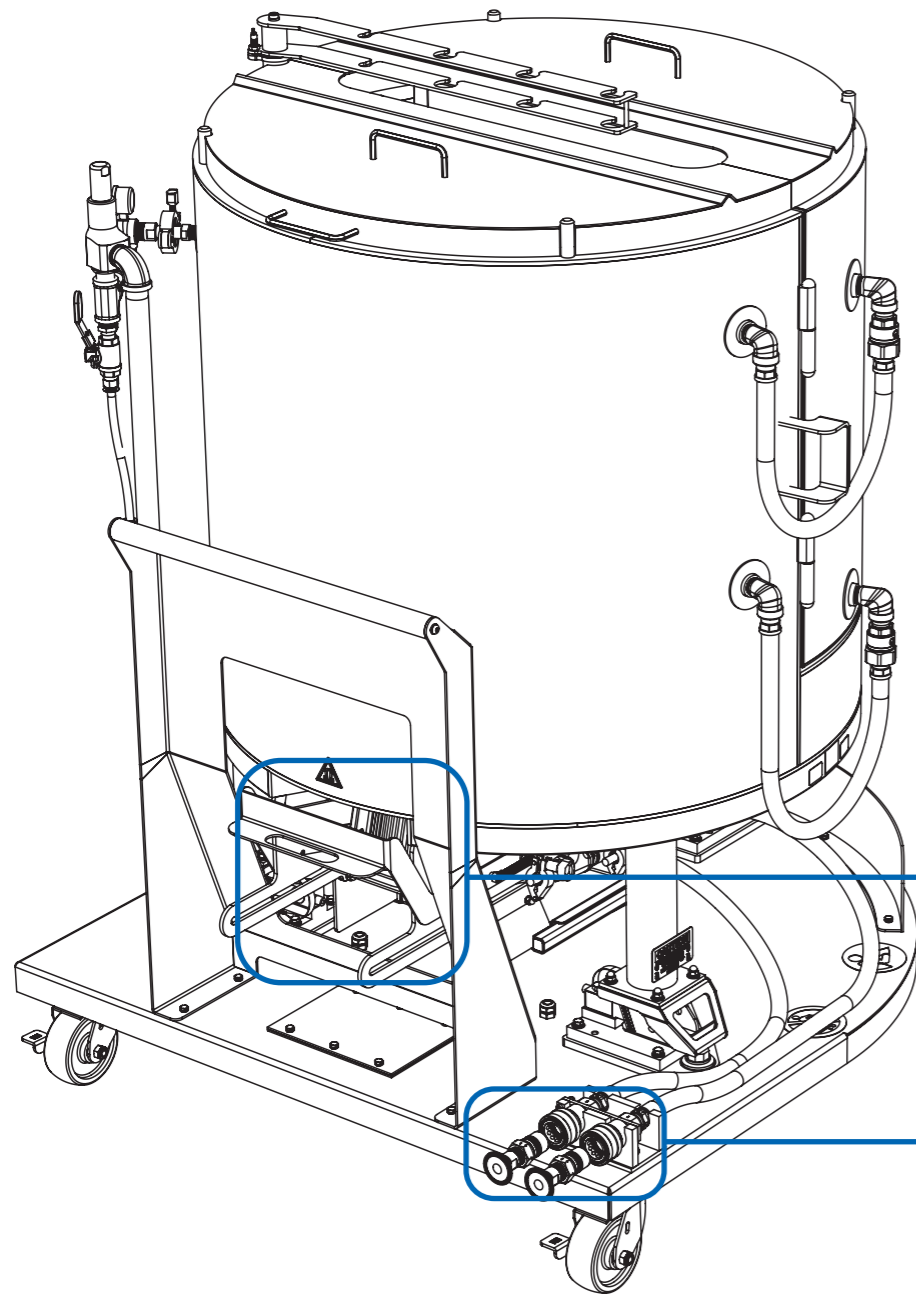
100 L



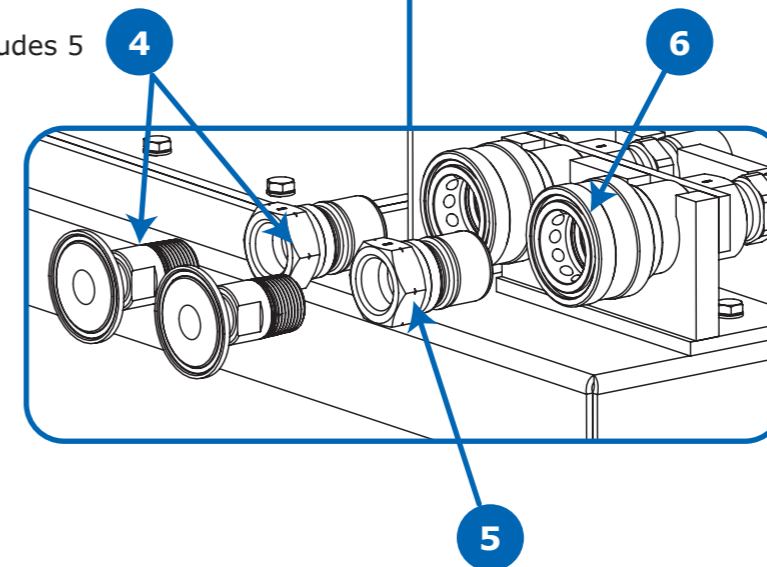
100 L (Continued)



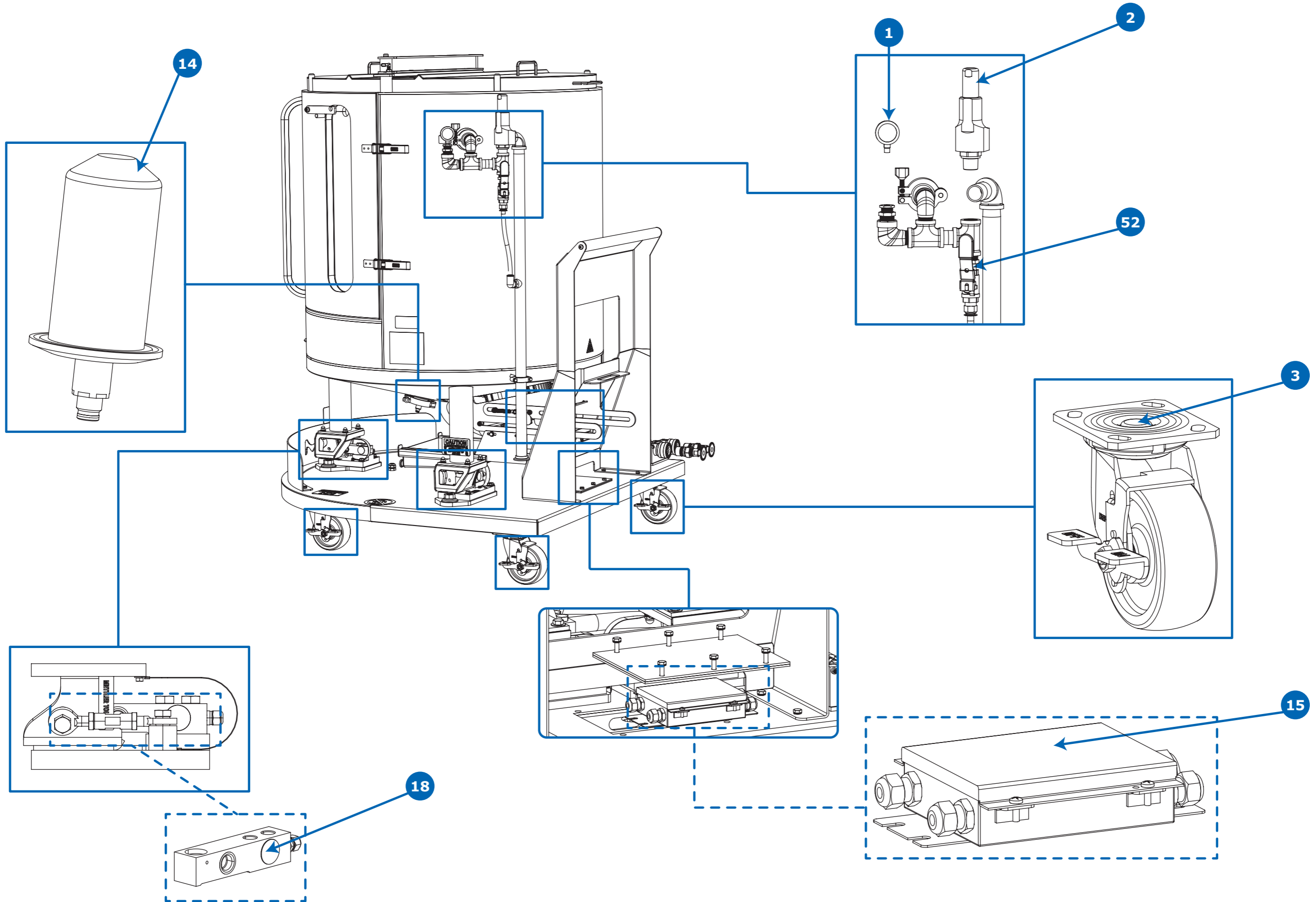
500 L



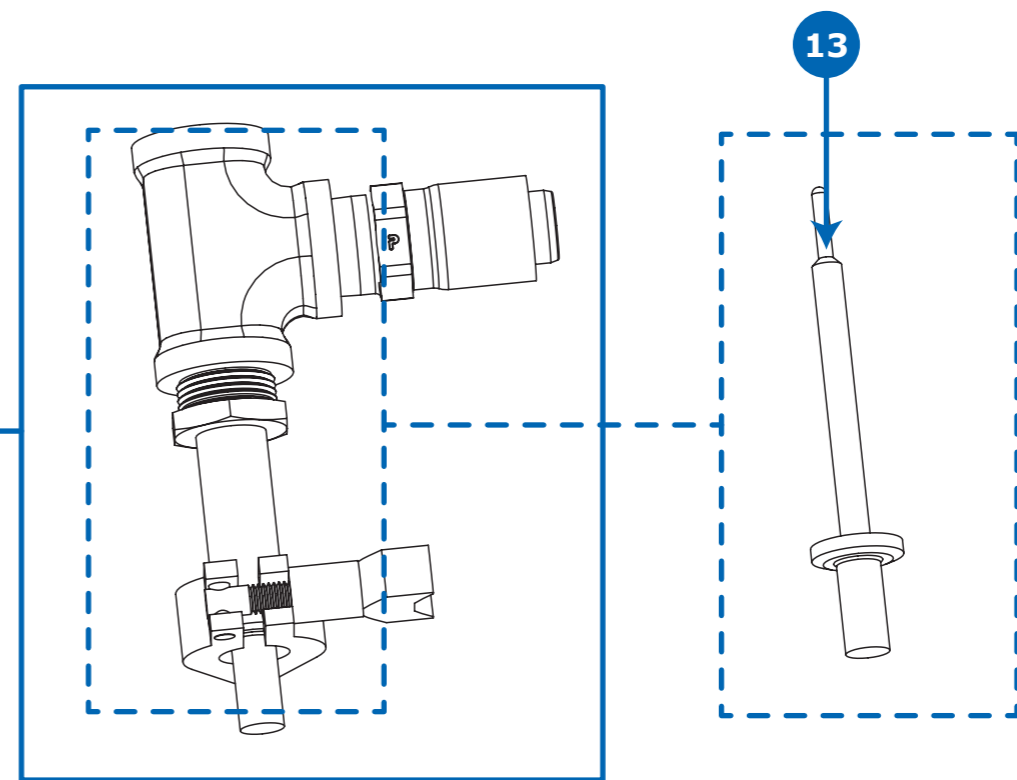
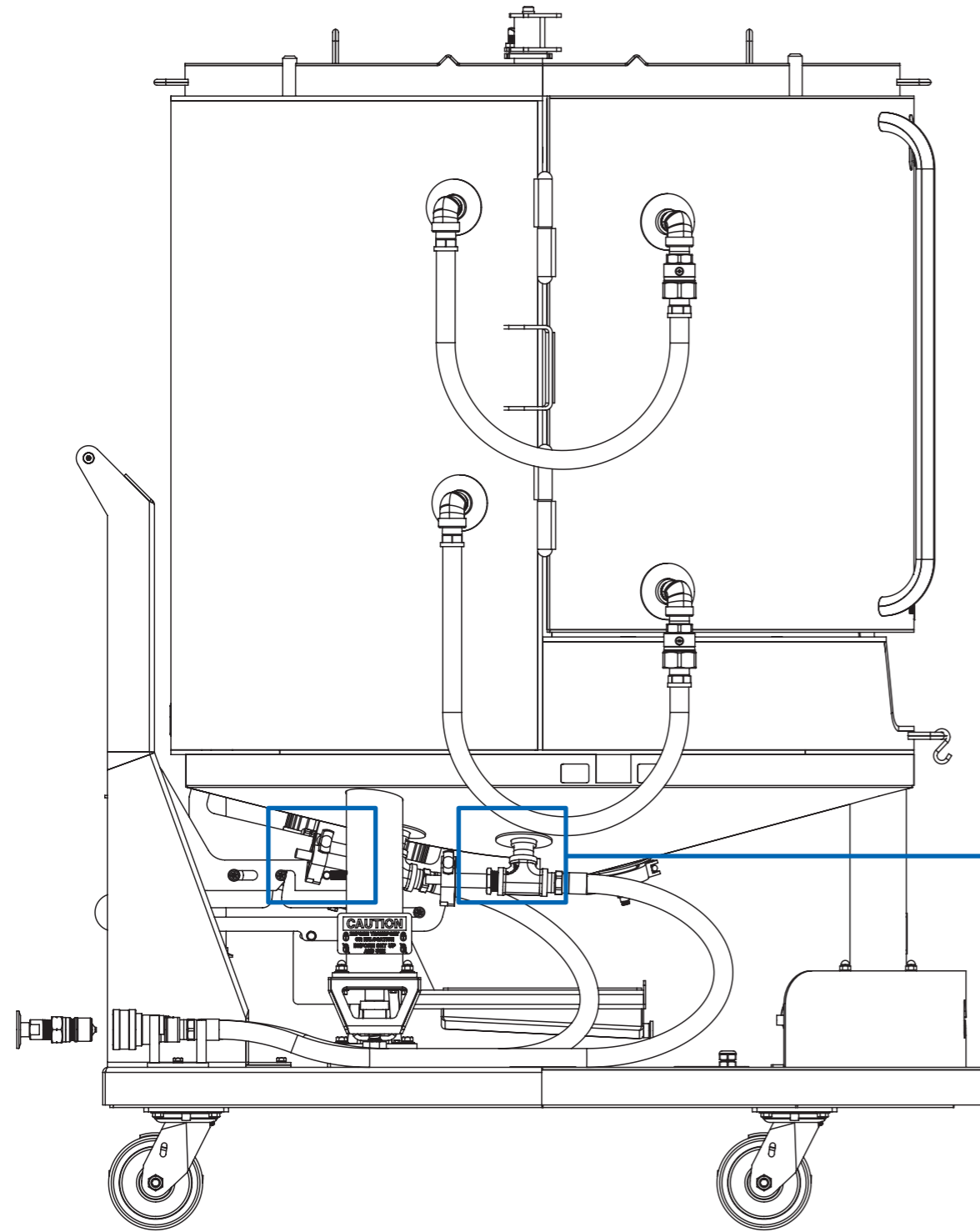
Note: 4 Includes 5



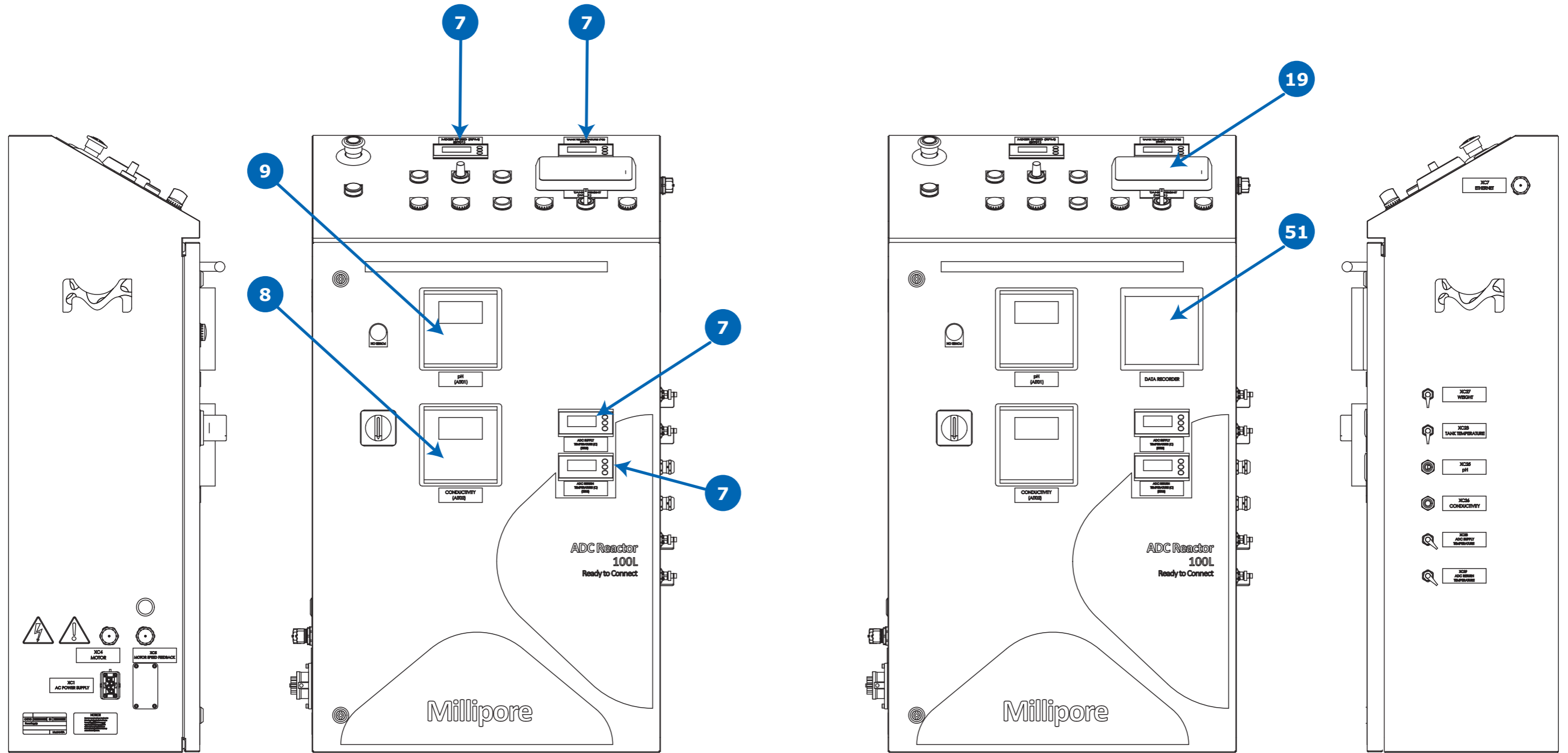
500 L (Continued)



500 L (Continued)



Control Box

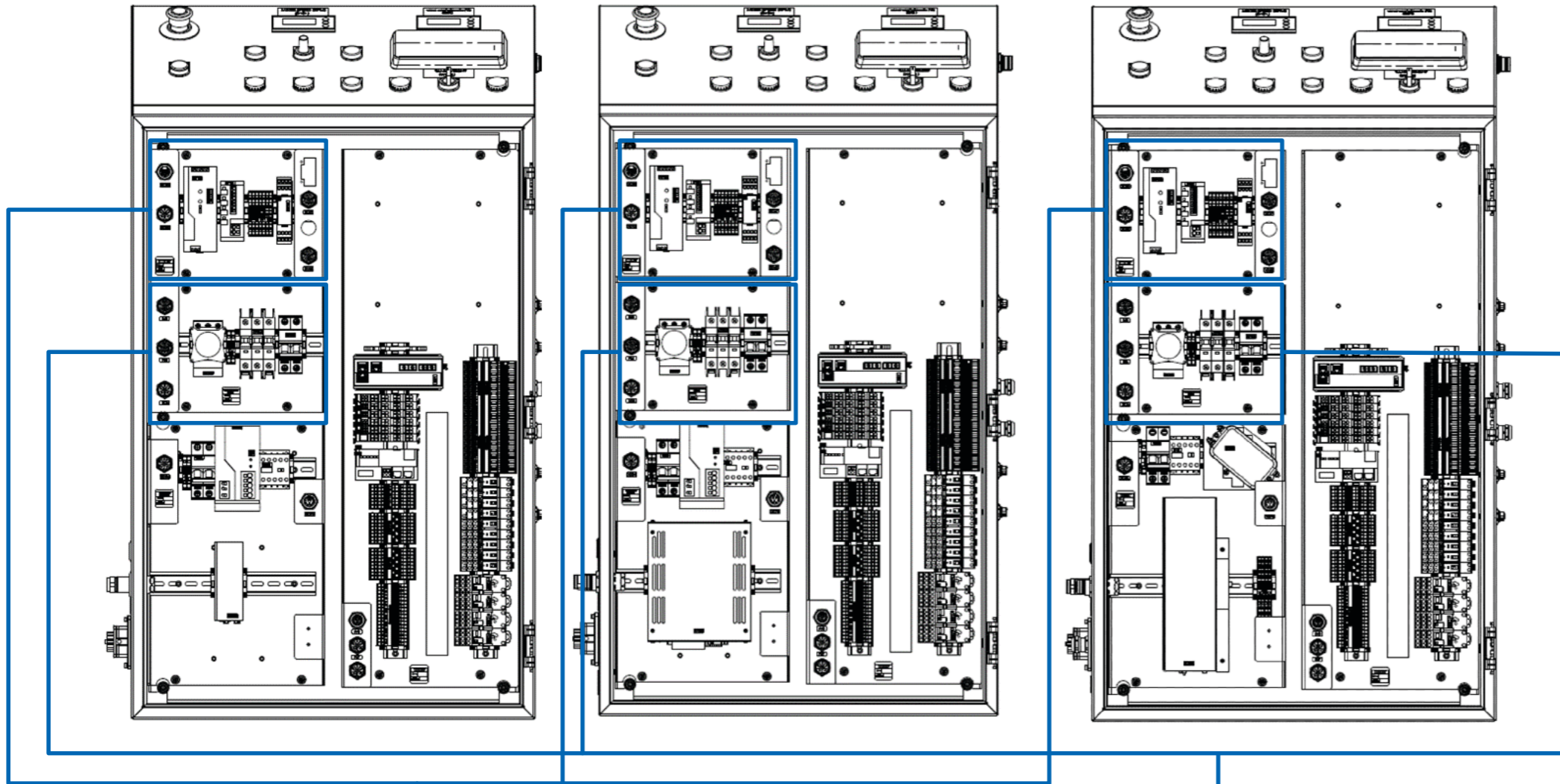


Control Box (Continued)

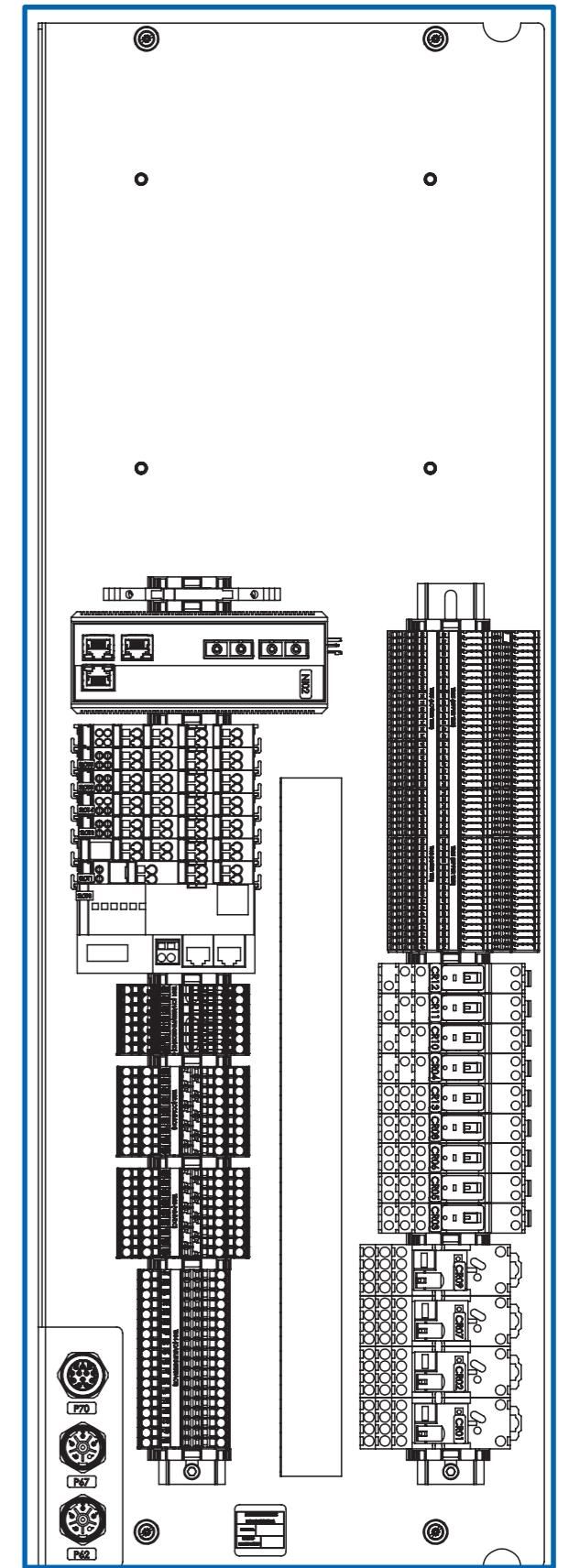
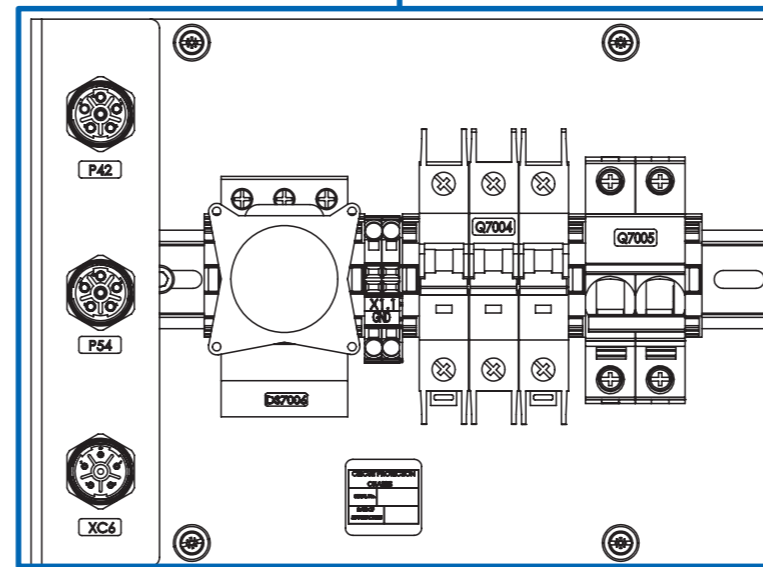
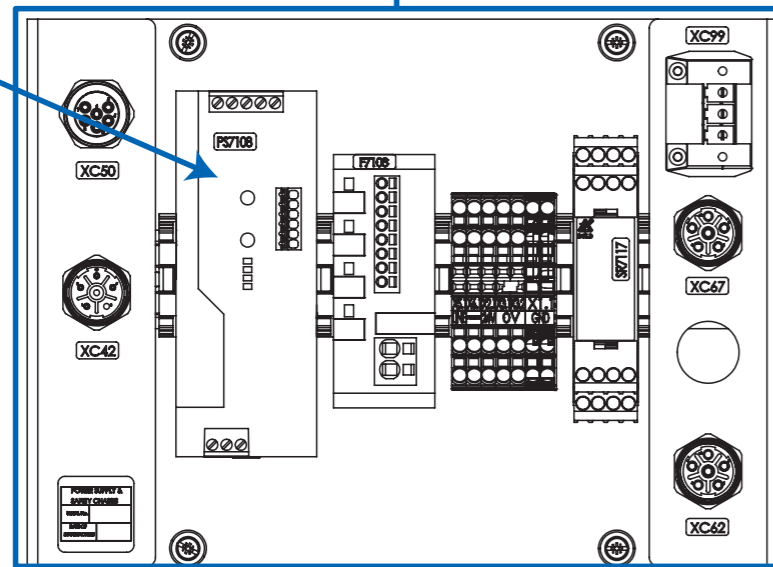
10 L Control Box

100 L Control Box

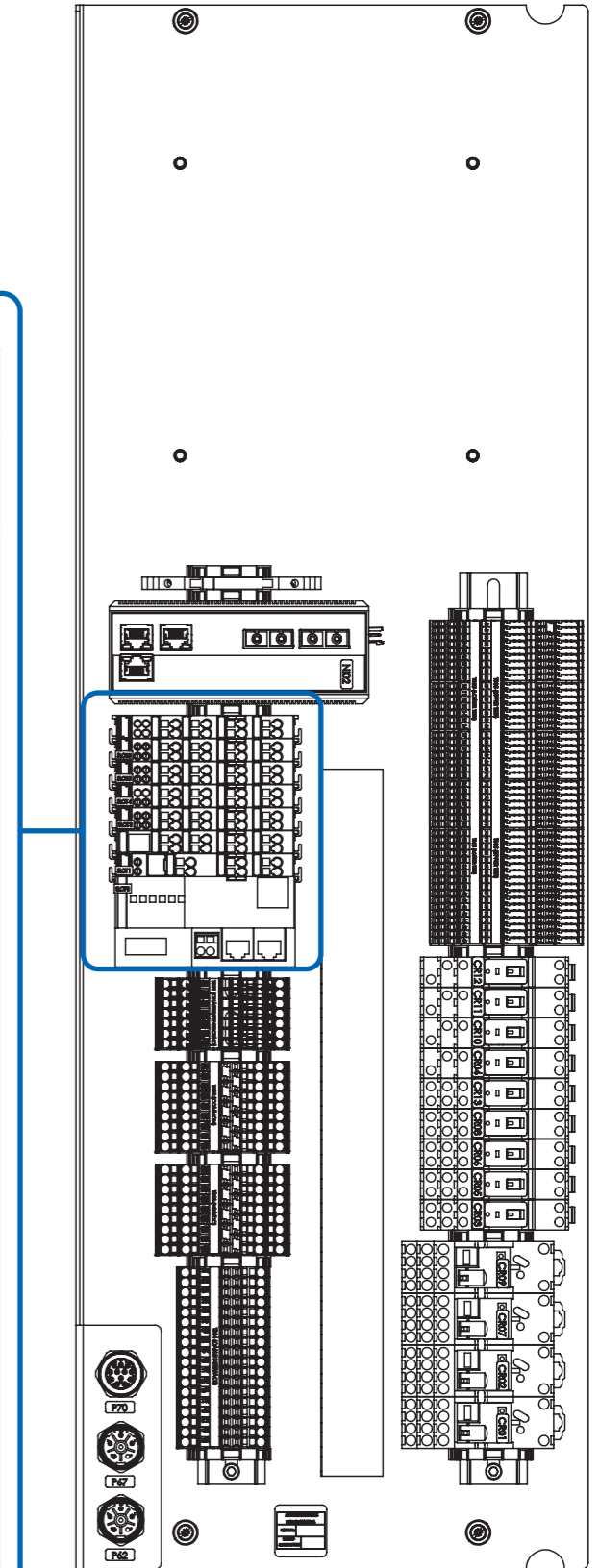
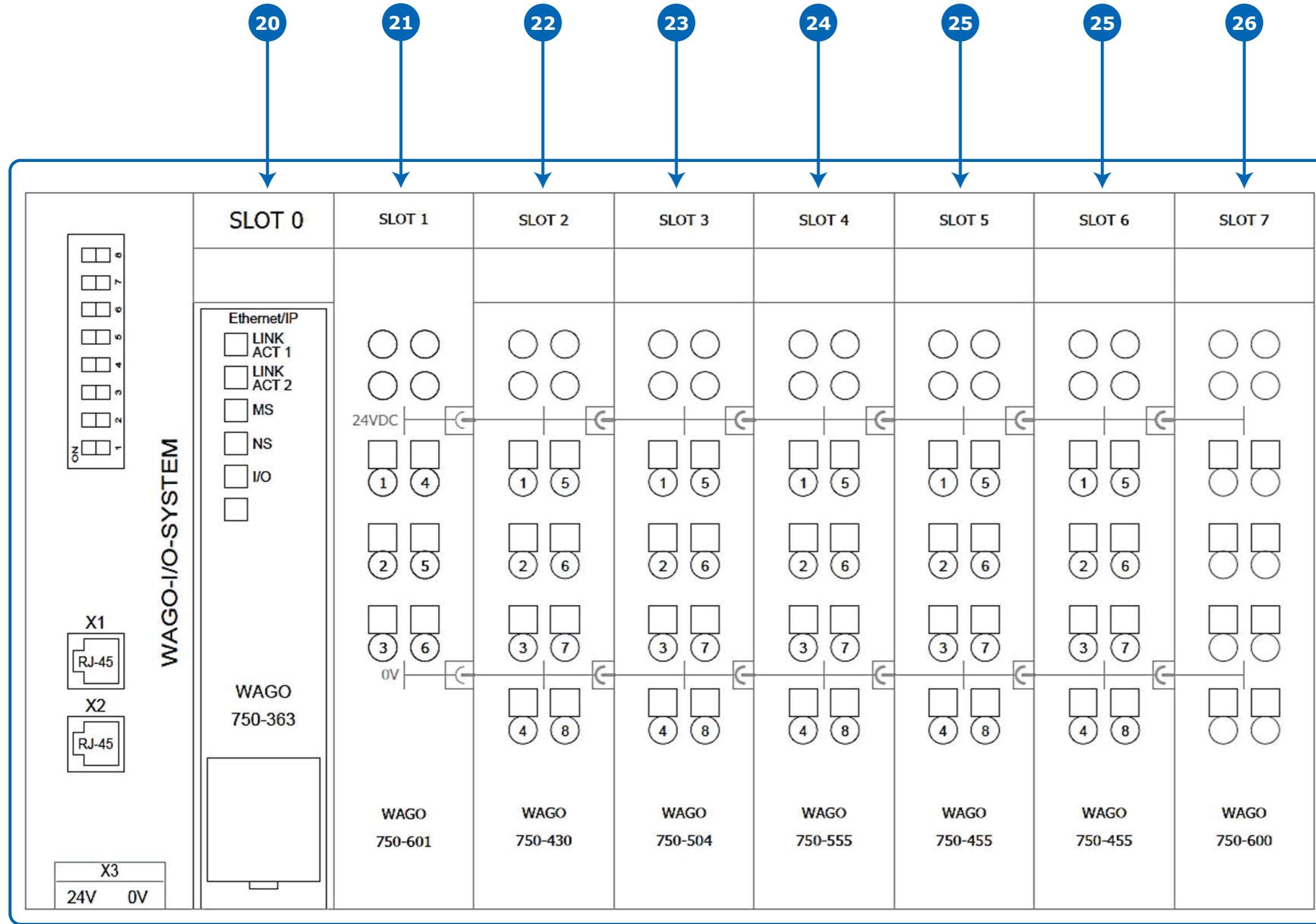
500 L Control Box



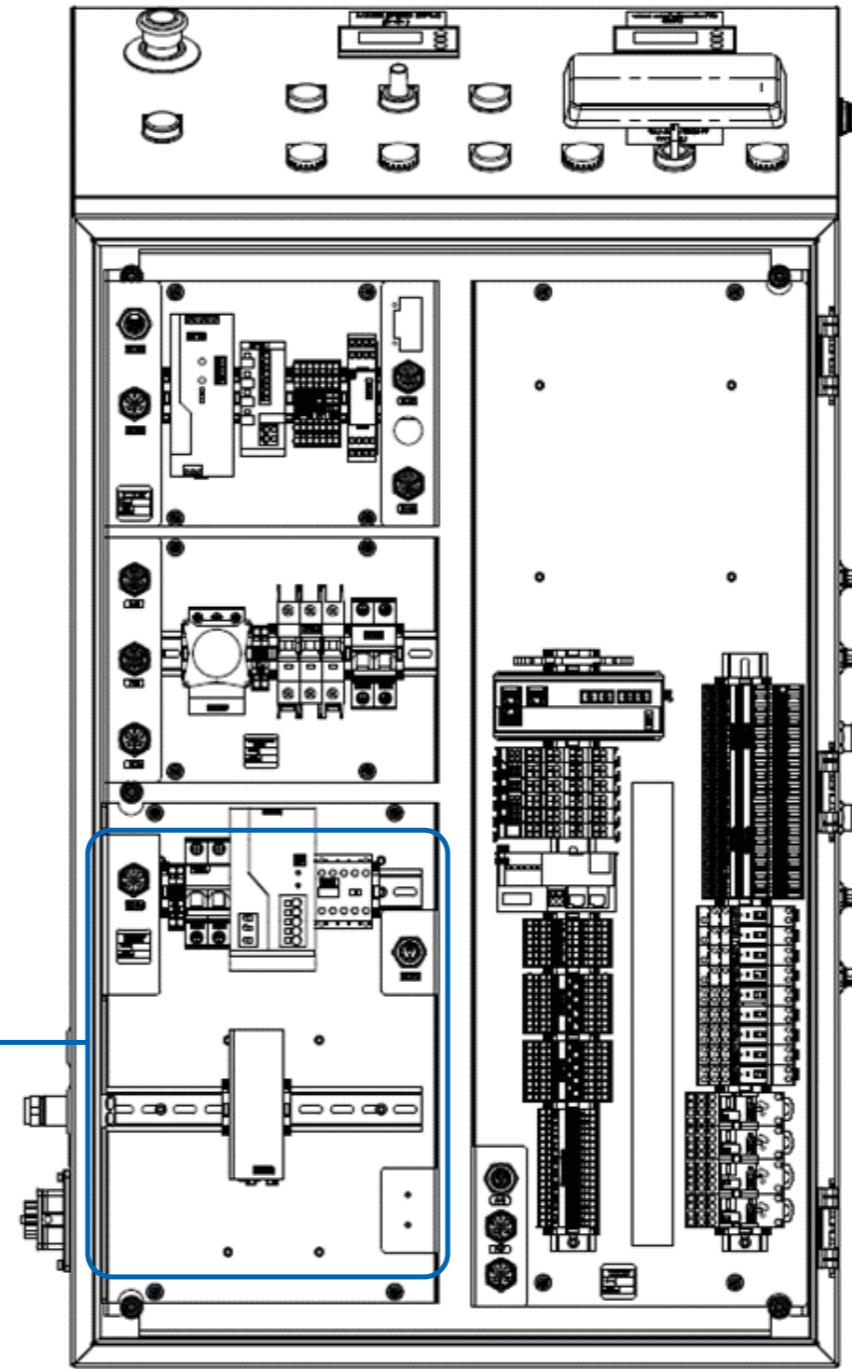
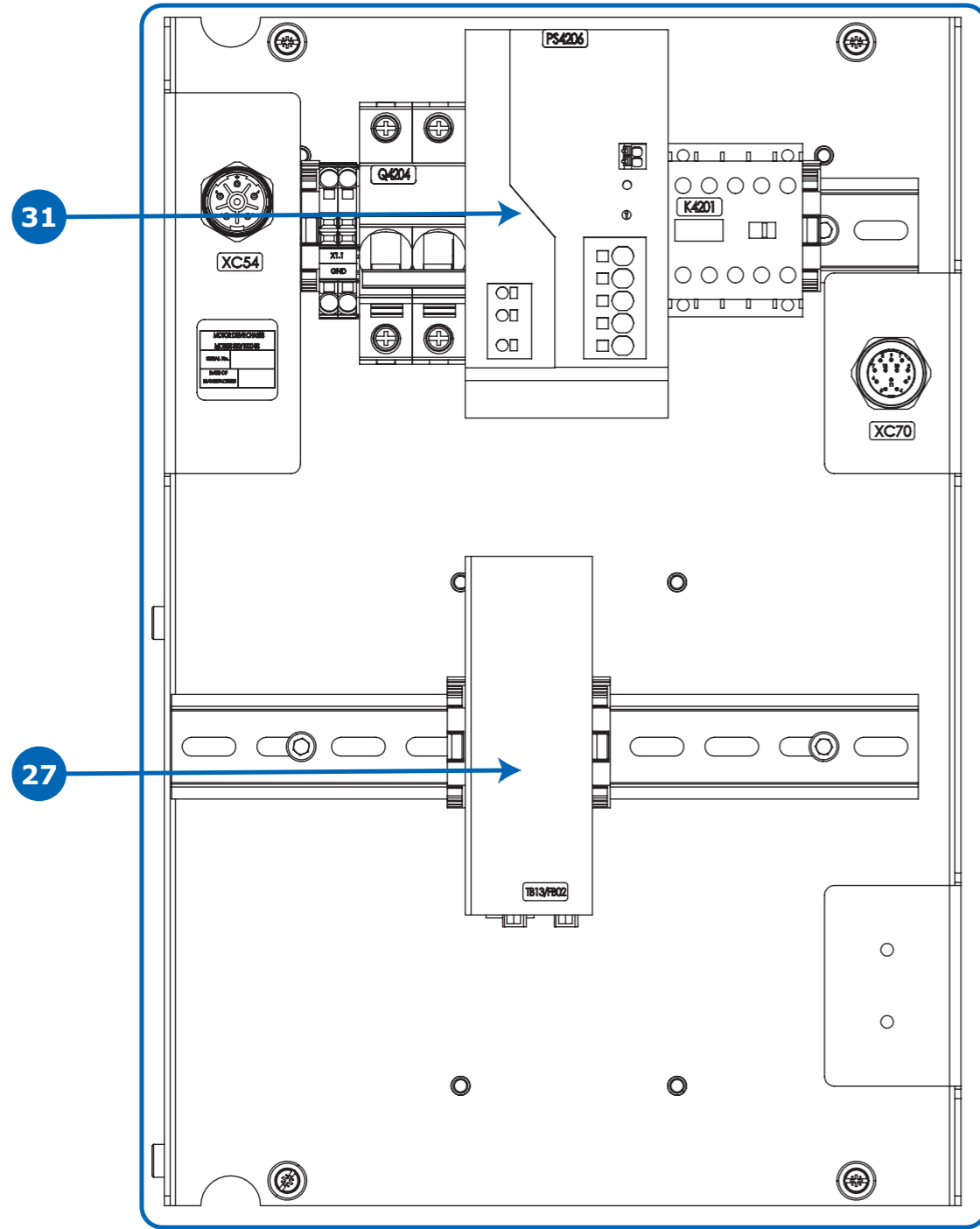
30



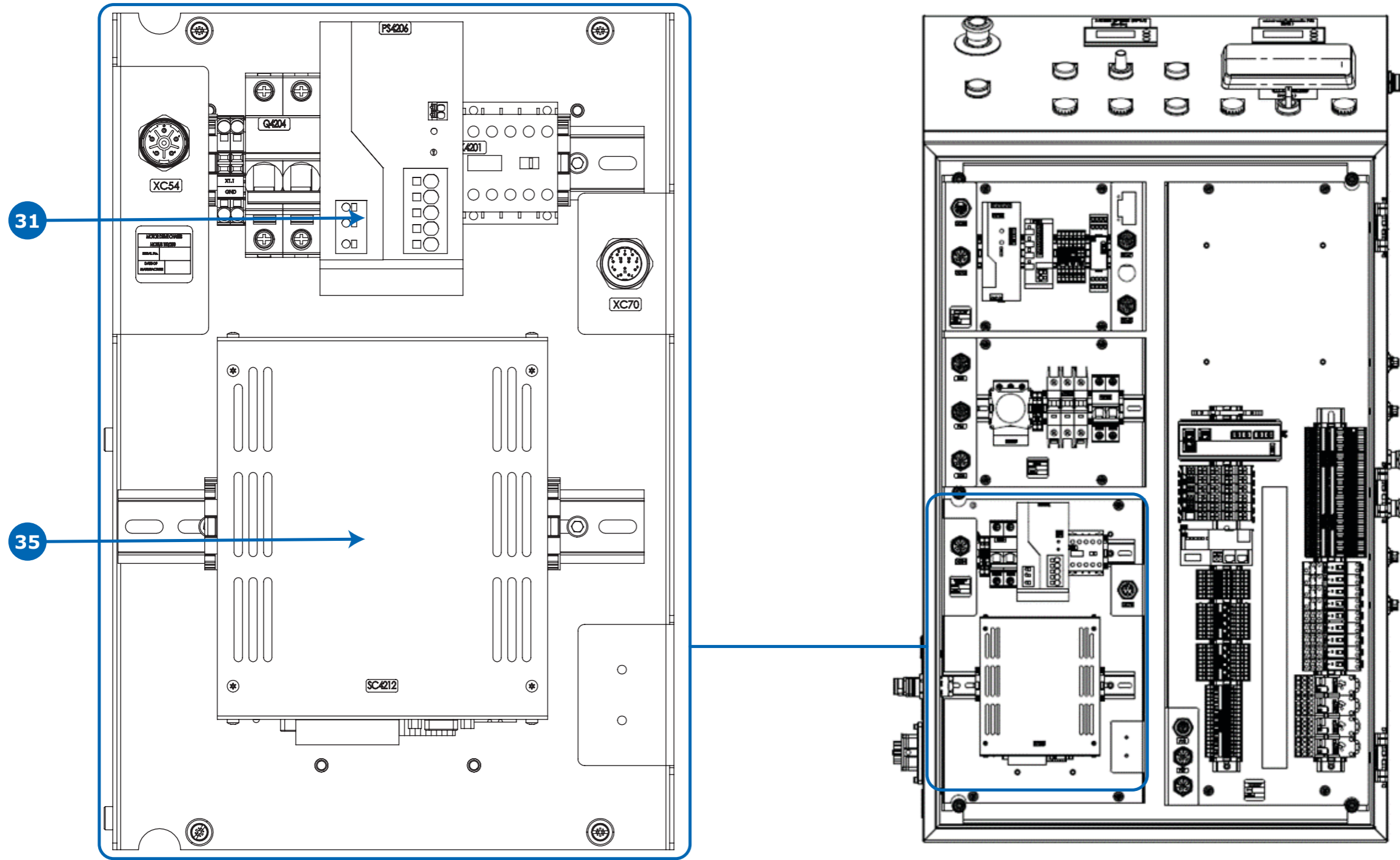
WAGO (RIO version only)



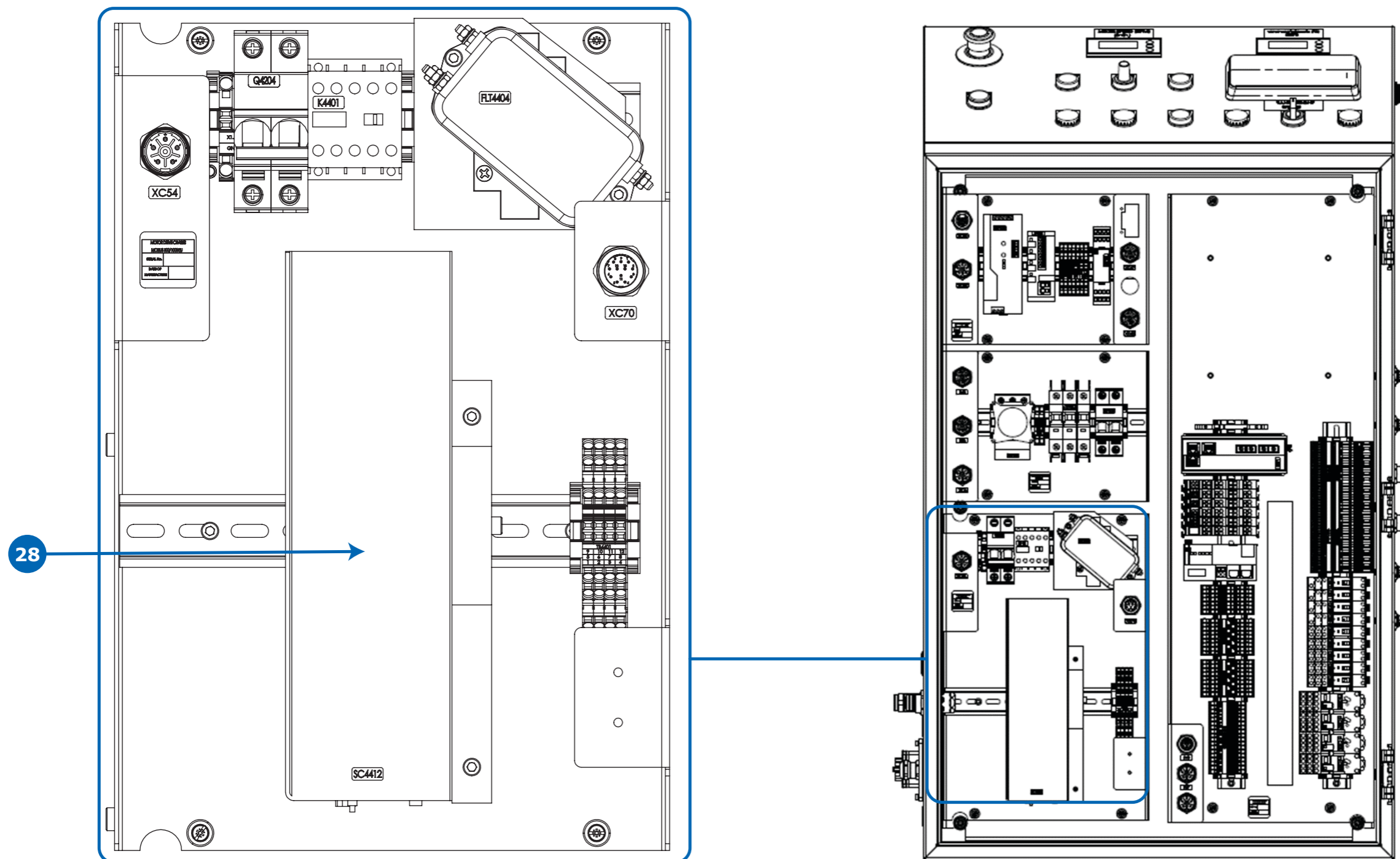
WAGO 10 L



WAGO 100 L



WAGO 500 L



For more information, please visit
www.sigmaaldrich.com/mixers

