

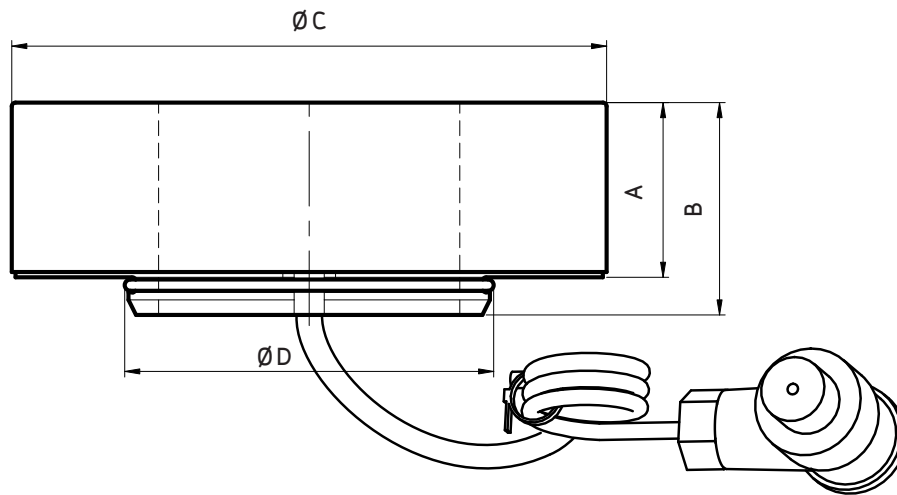
# NovAseptic® MIXER, INTEGRATED SPEED COUNTER KIT, GMP

## PRODUCT DESCRIPTION

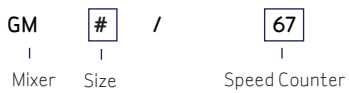
The NovAseptic mixers offer a complete solution for mixing throughout the process line and are designed for a wide variety of mixing applications in the pharmaceutical and biotechnology industries.

Catalogue Numbers:

GM#/67



### Catalogue Number Structure



### Nominal Dimensions in mm (in.)

Catalogue Number	A	B	C	D	Mixer Model
GM05/67	22.0 (0.87)	39.0 (1.54)	27.5 (1.08)	54.0 (2.13)	GMP50
GM05/67DC	22.0 (0.87)	30.0 (1.18)	27.5 (1.08)	54.0 (2.13)	GMP50 DC
GM15/67	29.5 (1.16)	32.5 (1.28)	48.0 (1.89)	44.0 (1.73)	GMP100 & GMP500
GM10/67	21.2 (0.83)	28.5 (1.12)	56.0 (2.20)	47.0 (1.85)	GMP1000

## Nominal Dimensions in mm (in.)

Catalogue Number	A	B	C	D	Mixer Model
GM20/67	23.2 (0.91)	31.5 (1.24)	79.0 (3.11)	48.0 (1.89)	GMP2000
GM50/67	21.5 (0.85)	29.5 (1.16)	98.0 (3.86)	48.0 (1.89)	GMP5000
GM100/67	21.5 (0.85)	28.5 (1.12)	79.0 (3.11)	50.0 (1.97)	GMP10000
GM200300/67	34.0 (1.34)	39.5 (1.57)	103.0 (4.06)	130 (5.12)	GMP20000 & GMP30000

## Specifications

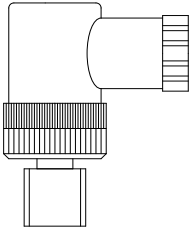
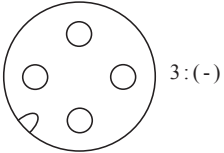
### Net Weight (approximate)

Mixer Assembly	GM05/67	GM05/67DC	GM15/67	GM10/67	GM20/67	GM50/67	GM100/67	GM200/67	GM300/67
Weight kg (lb)	0.2 (0.44)	0.2 (0.44)	0.2 (0.44)	0.3 (0.66)	0.3 (0.66)	0.3 (0.66)	0.3 (0.66)	0.6 (1.3)	0.6 (1.3)

### Material

	Cover
Material Code	POM C

### Socket Series 713 M12x1 Connection

Male Socket	LED indication on socket:		
4: Signal 	Location:	Top of the socket.	
	Green Light:	Indicates that the sensor is powered correctly.	
	Yellow Light:	Indicates one pulse. (number of pulses per rotation, is shown below)	
Type:	Hall effect switch, PNP closing circuit		
Voltage:	8 - 30V DC		
Current Rating:	200mA		
Cable Length:	400mm		
Protection Class:	IP 67 (for contact only)		

### Pulses (based on standard mixers)

	Pulses per rotation
GMP50	3
GMP50 DC	3
GMP100	3
GMP500	4
GMP1000	5
GMP2000	6
GMP5000	8
GMP10000	6
GMP20000	12
GMP30000	12

## Specifications

### Kit Contents

	GM05/67	GM05/67DC	GM15/67	GM10/67	GM20/67	GM50/67	GM100/67	GM200300/67
Speed Counter	o	o	o	o	o	o	o	o
Washer	o	o						
Socket Console	o	o	o	o	o	o	o	o
Cable Console					o	o	o	
Strap 2x	o	o	o	o	o	o	o	o
Screw	o	o	o	o				o

### Additional Information

<b>Environment Temperature*:</b>	0 to 85 °C (32 to 185 °F)
<b>Quality Control:</b>	Millipore Quality Assurance system ensure the quality and traceability at all stages of the process.
<b>Pulse Converter Requirements:</b>	In case of an application requiring a pulse signal converter use Pepperl & Fuchs type KFU8-UFC-1.D or with equal signal converter.

*\*Note: The assembled NovAseptic Mixer may have different design temperature and/or pressure limits. The weakest part in the assembled product determines the allowable design temperature and pressure limits.*



[www.millipore.com/offices](http://www.millipore.com/offices)

Millipore and NovAseptic are registered trademarks of Millipore Corporation and Advancing Life Science Together and M logo are trademarks of Millipore Corporation. Specifications subject to change without notice.  
Lit. No. SP1144EN00 Rev. A 06/2008.  
© 2008 Millipore Corporation. All rights reserved.

**ADVANCING LIFE SCIENCE TOGETHER™**  
**Research. Development. Production.**