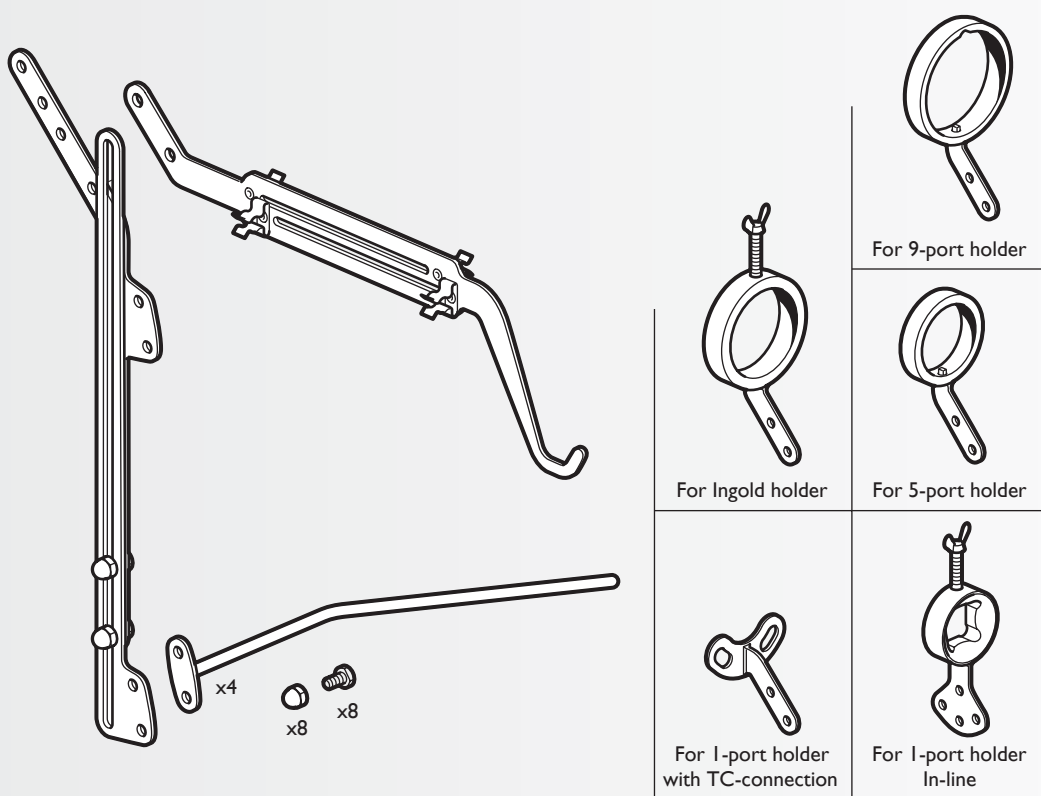


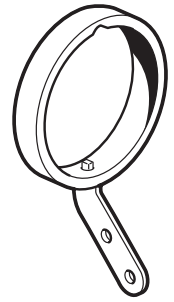
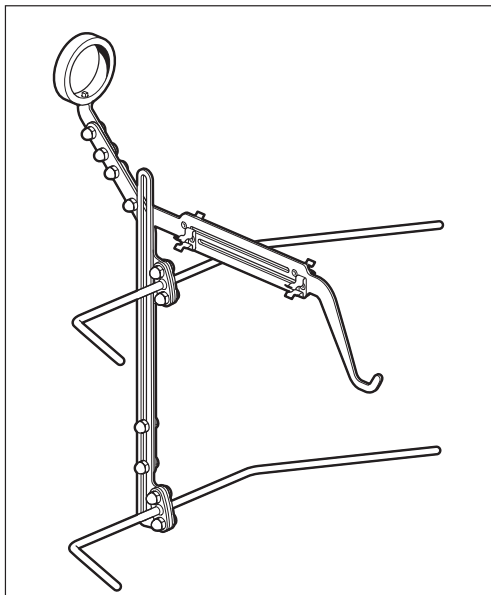
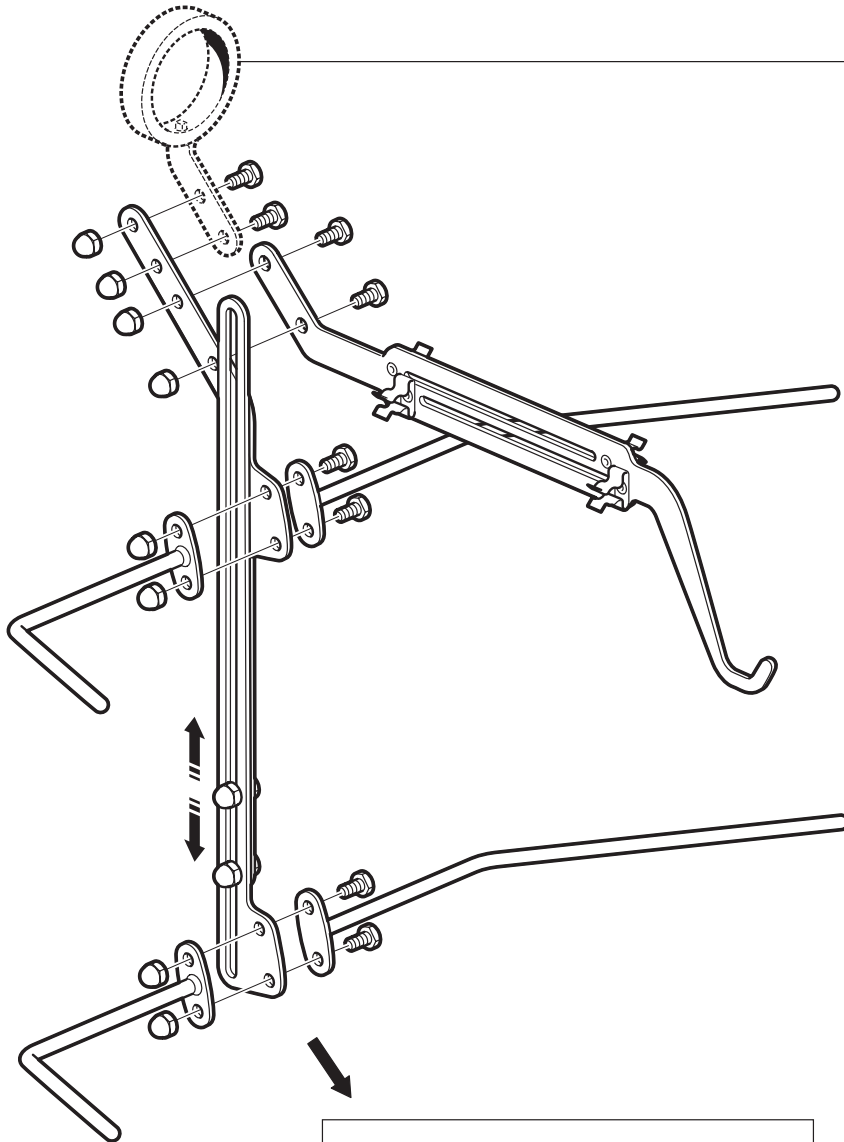
# NovaSeptum® Multi-sampling Unit Bag Rack

A006, A007, A008, A009, A010

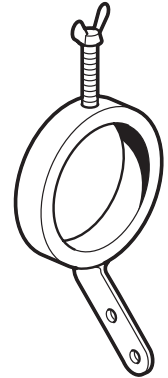
## Assembly Guide



1



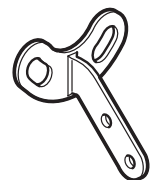
For 9-port holder



For Ingold holder



For 5-port holder



For 1-port holder with TC-connection



For 1-port holder In-line

Millipore is a registered trademark of Millipore Corporation. NovaSeptum is a registered trademark of Millipore Corporation or an affiliated company. Specifications are subject to change without notice. 00000073ZTP Rev. A, 04/2006. Replaces ML-031. © 2006 Millipore Corporation. All rights reserved.

MILLIPORE