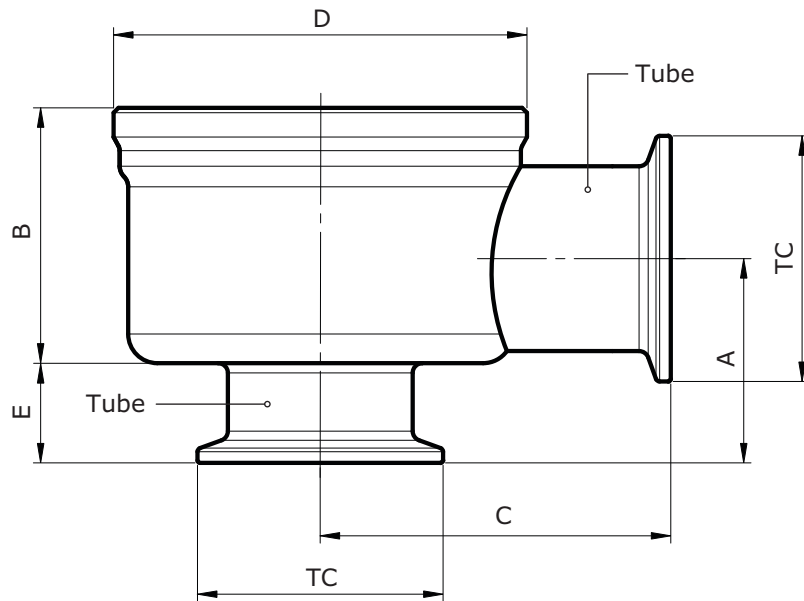


Specification Sheet

NovAseptic® Valve Valve Body, Shut off 90° TC



Catalogue No. Structure

NA##/31-222

NU###/31-222

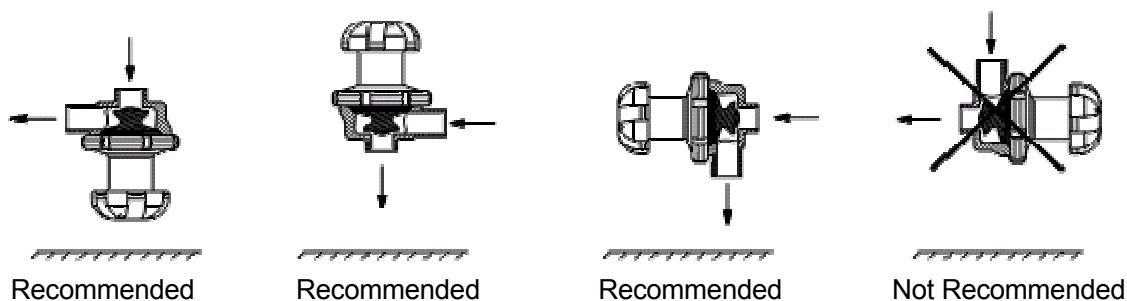
= NA tube size
= NU tube size

Nominal Dimensions in mm (in.)

Catalogue No.	A	B	C	D*	E	TC	SMS Tube 3008	US Tube ASTM A269/270
							Tube Size	Tube Size
NA12/31-222	26.8	22.0	42.0	TR40 x 2	18.5	25.0	12.0 x 1.0	
NU050/31-222	(1.055)	(0.866)	(1.654)		(0.728)	(0.984)		12.7 x 1.65 (0.50 x 0.065)
NA18/31-222	32.0	29.5	52.0	TR55 x 2	21.0	25.0	18.0 x 1.5	
NU075/31-222	(1.260)	(1.161)	(2.047)		(0.827)	(0.984)		19.1 x 1.65 (0.75 x 0.065)
NA25/31-222	37.1	39.5	62.0	TR75 x 2	22.0	50.5	25.0 x 1.2	
NU100/31-222	(1.461)	(1.555)	(2.441)		(0.866)	(1.988)		25.4 x 1.65 (1.0 x 0.065)
NA38/31-222	41.8	52.5	72.0	TR85 x 2	20.5	50.5	38.0 x 1.2	
NU150/31-222	(1.646)	(2.067)	(2.835)		(0.807)	(1.988)		38.1 x 1.65 (1.5 x 0.065)
NA51/31-222	59.8	65.5	95.0	TR109 x 2	32.0	64.0	51.0 x 1.2	
NU200/31-222	(2.354)	(2.579)	(3.740)		(1.260)	(2.520)		50.8 x 1.65 (2.0 x 0.065)
NA76/31-222	75.9	98.9	110.0	TR146 x 2	34.0	91.0	76.2 x 1.65	
NU300/31-222	(2.988)	(3.894)	(4.331)		(1.339)	(3.583)		76.2 x 1.65 (3.0 x 0.065)

* Note: Non-standard thread, special thread to fit NovAseptic® actuators.

Recommended orientation for full drainability of NovAseptic® diaphragm valves



Specifications

Net Volume (valve cavity, diaphragm applied)						
Valve Body	NA12/NU050	NA18/NU075	NA25/NU100	NA38/NU150	NA51/NU200	NA76/NU300
Volume mL	4	10	30	80	200	470

Net Weight (approximate)						
Valve Body	NA12/NU050	NA18/NU075	NA25/NU100	NA38/NU150	NA51/NU200	NA76/NU300
Weight kg (lb)	0.1 (0.22)	0.2 (0.44)	0.4 (0.88)	0.8 (1.8)	1.4 (3.09)	4.3 (9.48)

Material				
	Bar Stainless Steel in Compliance with		Tubing Stainless Steel in Compliance with	
Material Code	316L	EN 1.4404	TP316L	EN 1.4404
Technical Requirements	ASME® SA-479	EN 10272	ASTM A269/270	EN 10217-7/EN 10216-5

Specifications	
Surface Roughness	Internal surface (electropolished) Ra ≤ 0.38 µm (15 µin) External surface Ra ≤ 1.6 µm (63 µin)
Design Temperature, Valve Body	-80 to 200 °C (-112 to 392 °F)
Design Pressure, Valve Body	-1 to 10 bar(g) (-14.5 to 145 psi(g))
Note!	The valve body can only be used with NovAseptic® diaphragm, actuator and position indicator (optional). The applied diaphragm and actuator have different design temperature and/or pressure limits. The weakest component in the assembled product determines the maximum operating/design temperature and pressure limits.
Labeling	Each valve body is individually labeled for full traceability and heat No. according to our QA routines.
Packaging	All open ends on the valve body are protected with plastic covers on delivery and packaged in a closed box.
Quality Control	Our quality assurance system guarantees the control and traceability at all stages of the manufacturing.
Regulatory	<ul style="list-style-type: none"> The NovAseptic® valves, used with gas group 2 and liquid group 1, fall under the art. 4 § 3 of the Pressure Equipment Directive (2014/68/EU). They are not CE marked. They have been designed and manufactured following the sound engineering practices. NovAseptic® valves follow the applicable ASME BPE guideline sections.
Options	For non-standard NovAseptic® valve body options, please contact us for further information.

Technical Assistance

For more information, please visit SigmaAldrich.com
for up-to-date worldwide contact information

