

Spare parts

QuikScale® Chromatography columns

Diameters 200/250/300 mm

- 1. Bottom Column 200 mm3
- 2. Bottom Column 250 mm7
- 3. Bottom Column 300 mm11
- 4. Top Column 200 mm17
- 5. Top Column 250 mm18
- 6. Top Column 300 mm19



MilliporeSigma is the U.S. and Canada
Life Science business of Merck KGaA,
Darmstadt, Germany.

Spare Parts

To help you select and manage the spare parts required for your system, our experts have performed a risk assessment to determine which parts to keep in stock.

The risk assessment is based on our experience; each customer must perform their individual risk assessment for their process, to ensure alignment with our strategy, and review the stock requirements accordingly.

As a result of this risk assessment, we defined 3 categories of spare parts:

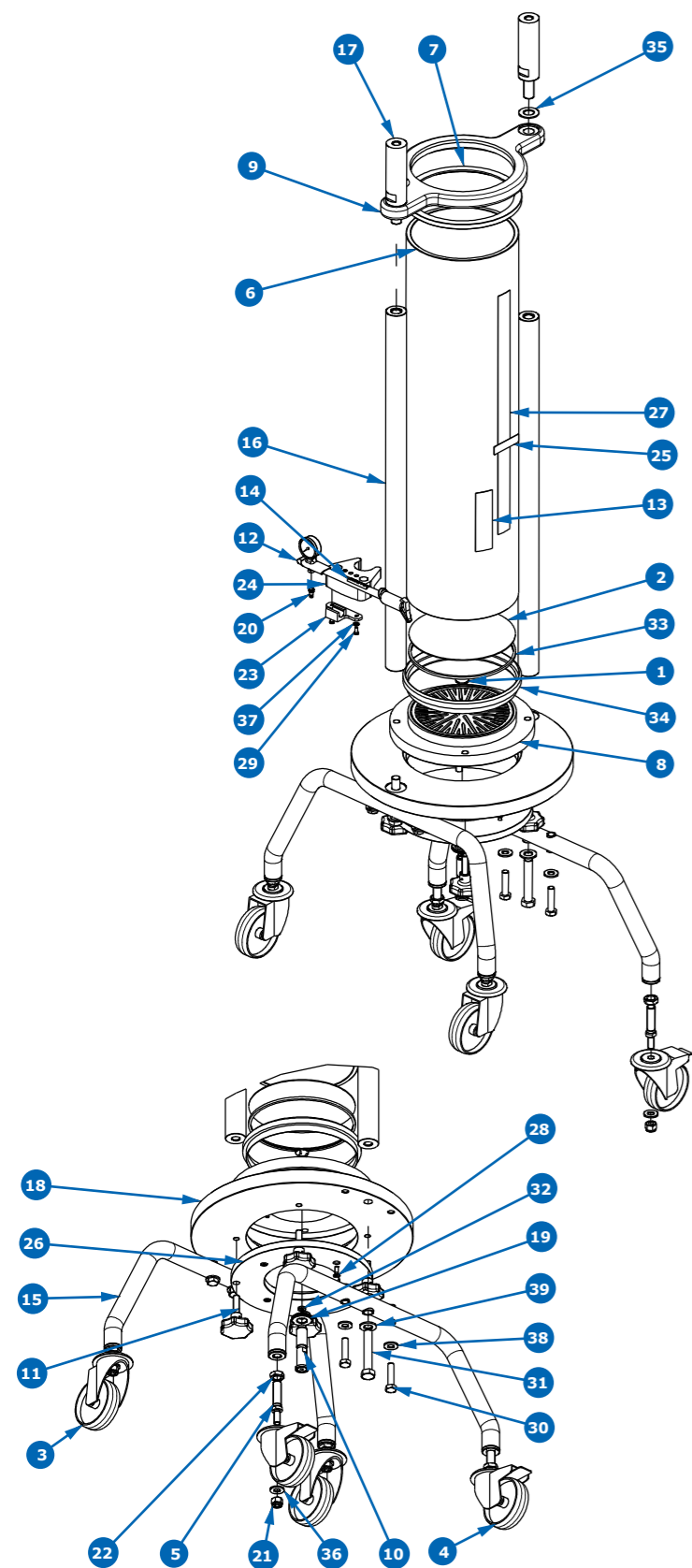
Type of parts	Description	Stock recommendation
Preventive maintenance parts	These parts are subject to wear and tear and we recommend replacing them on a regular basis. Under average usage conditions, these parts should be replaced at least once per year. A risk assessment based on the specific system usage and production conditions may result in a need to replace some or all of these parts more frequently. Not replacing wear and tear parts as recommended can impact system functionality and may result in system shutdown.	1 part per unit
Critical parts	These parts have been identified as most critical to avoiding system downtime and are recommended to be kept in stock for immediate availability.	1 part per unit
All other parts	All other individual parts.	Risk-based customer decision

Based on our risk analysis, preventive maintenance and critical spare parts are essential to keep your equipment running. We recommend keeping preventive maintenance and critical spare parts in stock.

For additional information, please visit: EMDMillipore.com/Systems-Services

Product Description	Catalogue number
ANNUAL SPARES KIT 200 mm GA & GS COLUMNS	GL105504
QS200 ANNUAL SPARES KIT HIGH FLOW TUBE	SPKQS200032
SANITARY SEALS KIT 6 mm I/D	GL105020
SANITARY SEALS KIT 10 mm I/D	GL105021
60 mm BUBBLE TRAP SPARES KIT	GL105007
90 mm BUBBLE TRAP SPARES KIT	GL105008
ANNUAL SPARES KIT 250 mm GA & GS COLUMNS	GL105505
QS250 ANNUAL SPARES KIT HIGH FLOW TUBE	SPKQS250028
SANITARY SEALS KIT 6 mm I/D	GL105020
SANITARY SEALS KIT 10 mm I/D	GL105021
60 mm BUBBLE TRAP SPARES KIT	GL105007
90 mm BUBBLE TRAP SPARES KIT	GL105008
ANNUAL SPARES KIT 300 mm GA & GS COLUMNS	GL105506
QS300 ANNUAL SPARES KIT HIGH FLOW TUBE	SPKQS300037
SANITARY SEALS KIT 6 mm I/D	GL105020
SANITARY SEALS KIT 10 mm I/D	GL105021
60 mm BUBBLE TRAP SPARES KIT	GL105007
90 mm BUBBLE TRAP SPARES KIT	GL105008

Kits for Bottom QuikScale® Column —Diameter 200 GA GLASS



REF GA202511—GA202512—GA202513

NOTE 1 Adjuster Bed Support

10 μm	20 μm	30 μm
SPKQS200019	SPKQS200020	SPKQS200021

NOTE 2 HEIGHT LOAD PILLAR M24 COLUMN TUBE & SCALE LABEL

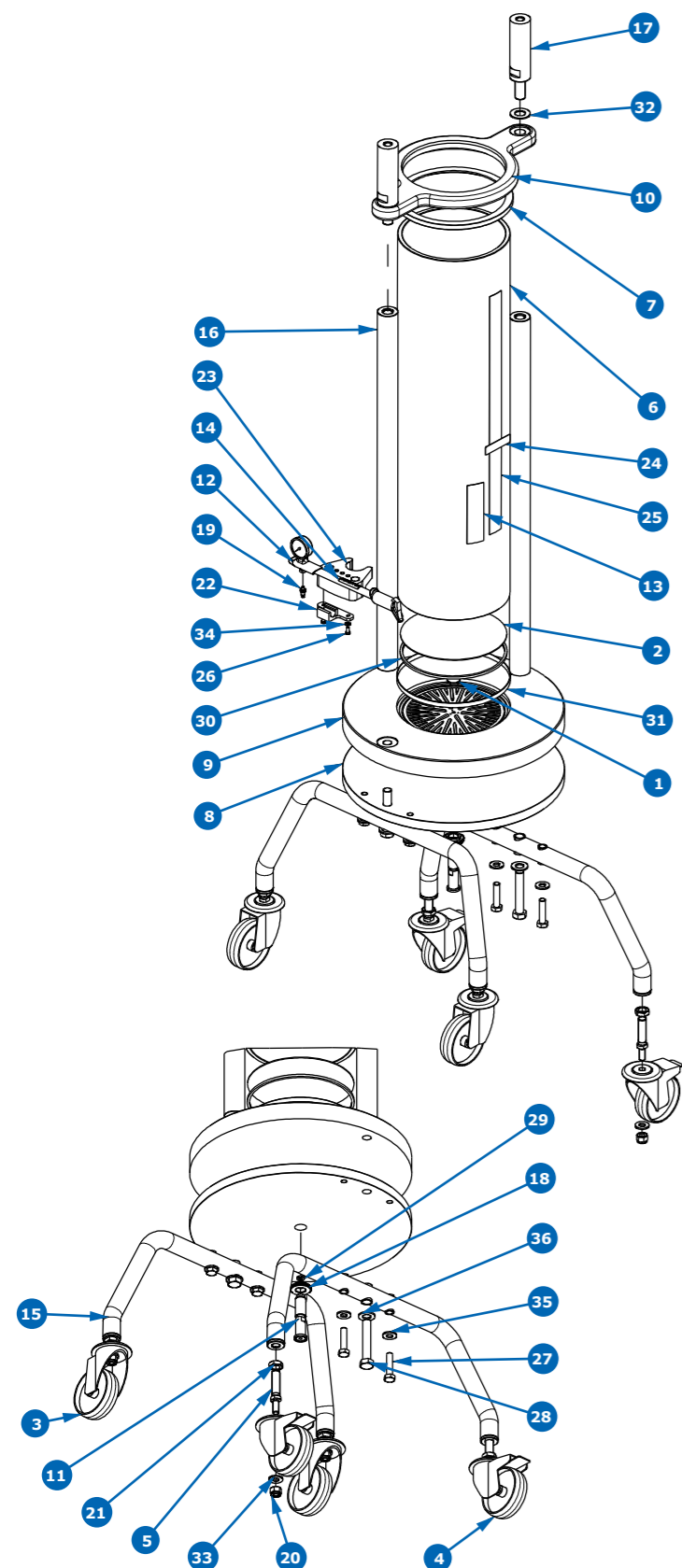
HEIGHT	LOAD PILLAR M24	COLUMN TUBE & SCALE LABEL
200 x 550	SPKQS2025300010	SPKQS200016
200 x 800	SPKQS2025300011	SPKQS200016
200 x 1100	SPKQS2025300012	SPKQS200016

GL105504—PM KIT

	Qty
RIBBED SEAL WEDGE TYPE—200	1
SEAL 'U' SECTION BED SUPPORT—207.0 O/D	1
SEAL—SQUARE SECTION—14.5 O/D x 8.0 I/D x 3 mm	2
'O' RING—BS 254 (139.29 I/D x 3.53 SECTION)	1
'O' RING—BS 261 (171.04 I/D x 3.53 SECTION)	1
SEALING BELLOW, FLOW TUBE (GL200—300 COLUMNS)	1
LOCKNUT M20 x 1.5P	1
THRUST WASHER (GL200—300 COLUMNS)	2
SEAL BED SUPPORT MOULDED PROFILE, GL200 COLUMNS	1

Item	Qty	Description	Material	Critical																				
				Other																				
				SPKQS200016	SPKQS200017	SPKQS200018	SPKQS2025300010	SPKQS2025300011	SPKQS2025300012	SPKQS2025300016	SPKQS200019	SPKQS200020	SPKQS200021	SPKQS200022	SPKQS200024	SPKQS200030	SPKQS200031	SPKQS2025300017	SPKQS2025300018	SPKQS2025300020	SPKQS2025300022	SPKQSXX0003	SPKQSXX0004	
1	1	ANTI-JET DISC, GL200-300 COLUMNS	BLACK POLYPROPYLENE																					
2	1	BED SUPPORT D x 7 x 1.7 THK	POROSTAR—DIN 1.4539								1	1	1											
3	2	CASTOR—SWIVEL—100—SINGLE BOLTHOLE	SEE SPEC																					
4	2	CASTOR—SWIVEL—BRAKED—100—SINGLE BOLTHOLE	SEE SPEC																					
5	4	CASTOR STUD THREADED M12 x M16 MALE, GL350/450 COLUMNS	SST 316L																					
6	1	COLUMN TUBE GLASS—GLG200 COLUMN	BOROSILICATE GLASS	1	1	1																		
7	1	COLUMN TUBE PROTECTOR (GSG & GAG 200)	NATURAL POLYPROPYLENE	1	1	1																		
8	1	FIXED CELL GA200 COLUMN	POLYPROPYLENE											1										
9	1	FLANGE TOP COLUMN TUBE, GL200 COLUMN	SST 316L FORGED												1									
10	1	FLOW TUBE ADAPTOR 1/4"	SST 316L																1					
11	4	HAND KNOB ASSEMBLY—M12 x 40 mm LONG	SEE PARTS LIST																			4		
12	1	HIGH PRESSURE PUMP, HAND OPERATED, 300 PSI	VARIOUS																				1	
13	1	LABEL LOGO QUICKSCALE®	See Drawing	1	1	1																		
14	1	LABEL MILLIPORE® FOR HAND PUMP	See Drawing																					1
15	2	LEG WELD ASSY—GL350/450 COLUMNS	SST 304																	2				
16	2	LOAD PILLAR THREADED M24	SST 316L				2	2	2															
17	2	LOAD PILLAR UPPER THREADED M20 MALE x M16 FEMALE, GL200-300 COLUMNS	SST 316L							2														
18	1	LOAD RING—GA200 COLUMN	SST 316L															1						
19	1	LOCK NUT M20 x 1.5	ACETAL															1						
20	1	MALE STUD PNEUMATIC FITTING, M5 MALE x 4 mm O/D TUBE PUSH-IN	SEE SPEC																				1	
21	4	NUT—HEX NYLOC—M12	SST 316																	4				
22	4	NUT—HEX THIN—M16	SST 316																	4				
23	1	PUMP BRACKET, HIGH PRESSURE	BLACK ACETAL																					1
24	1	PUMP SUPPORT BRACKET	BLACK ACETAL																		1			
25	1	RATING PLATE LABEL	See drawing																					
26	1	REINFORCEMENT RING, GL200 FIXED CELL	SST 316L												1									
27	1	SCALE LABEL GL200 COLUMN	See Drawing	1	1	1																		
28	4	SCREW—C/SUNK HEAD HEX SOCKET—M6 x 20 LG	SST 316											4	4									
29	2	SCREW—PAN-HEAD-SLOTTED—M5 x 12 LG	SST 316																					2
30	4	SCREW—SET HEX HEAD—M12 x 50 LG	SST 316																	4	4			
31	2	SCREW—SET HEX HEAD—M16 x 90 LG	SST 316				2	2	2											2	2			
32	1	SEAL—SQUARE SECTION—14.5 O/D x 8 I/D x 3 THICK	EPDM																		1			
33	1	SEAL 'U' SECTION BED SUPPORT—Ø207.0	EPDM	1	1	1					1	1	1	1				1						
34	1	SUPPORT RING—TUBE STOP, GAG 200	BLACK PROPYLENE	1	1	1																		
35	2	THRUST WASHER	BLACK ACETAL				2	2	2	2						2								
36	4	WASHER—PLAIN—M12	SST 316																		4			
37	2	WASHER—PLAIN—M5	SST 316																					2
38	4	WASHER—SPRING—M12	SST 316																	4	4			
39	2	WASHER—SPRING—M16	SST 316				2	2	2											2	2			

Kits for Bottom QuikScale[®] Column —Diameter 200 GS GLASS



REF GS202511—GS202512—GS202513

NOTE 1		
Adjuster Bed Support		
10 µm	20 µm	30 µm
SPKQS200019	SPKQS200020	SPKQS200021

NOTE 2		
HEIGHT	LOAD PILLAR M24	COLUMN TUBE & SCALE LABEL
200 x 550	SPKQS2025300013	SPKQS200013
200 x 800	SPKQS2025300014	SPKQS200014
200 x 1100	SPKQS2025300015	SPKQS200015

GL105504—PM KIT	Qty
RIBBED SEAL WEDGE TYPE—200	1
SEAL 'U' SECTION BED SUPPORT—207.0 O/D	1
SEAL—SQUARE SECTION—14.5 O/D x 8.0 I/D x 3 mm	2
'O' RING—BS 254 (139.29 I/D x 3.53 SECTION)	1
'O' RING—BS 261 (171.04 I/D x 3.53 SECTION)	1
SEALING BELLOW, FLOW TUBE (GL200—300 COLUMNS)	1
LOCKNUT M20 x 1.5P	1
THRUST WASHER (GL200—300 COLUMNS)	2
SEAL BED SUPPORT MOULDED PROFILE, GL200 COLUMNS	1

Item	Qty	Description	Material	Critical																		
				Other																		
				SPKQS200013	SPKQS200014	SPKQS200015	SPKQS2025300013	SPKQS2025300014	SPKQS2025300015	SPKQS2025300016	SPKQS200019	SPKQS200020	SPKQS200021	SPKQS200023	SPKQS200030	SPKQS2025300017	SPKQS2025300019	SPKQS2025300020	SPKQS2025300021	SPKQSXX0003	SPKQSXX0004	
1	1	ANTI-JET DISC, GL200-300 COLUMNS	BLACK POLYPROPYLENE																			
2	1	BED SUPPORT D x 7 x 1.7 THK	POROSTAR—DIN 1.4539								1	1	1									
3	2	CASTOR—SWIVEL—100—SINGLE BOLTHOLE	SEE SPEC																			
4	2	CASTOR—SWIVEL—BRAKED—100—SINGLE BOLTHOLE	SEE SPEC																			
5	4	CASTOR STUD THREADED M12 x M16 MALE, GL350/450 COLUMNS	SST 316L																			
6	1	COLUMN TUBE GLASS—GLG200 COLUMN	BOROSILICATE GLASS	1	1	1																
7	1	COLUMN TUBE PROTECTOR (GSG & GAG 200)	NATURAL POLYPROPYLENE	1	1	1																
8	1	FIXED CELL BACKING PLATE Ø430 x 20 mm, GL200-300 COLUMNS	SST 316L																		1	
9	1	FIXED CELL GS200 COLUMN	POLYPROPYLENE											1								
10	1	FLANGE TOP COLUMN TUBE, GL200 COLUMN	SST 316L FORGED												1							
11	1	FLOW TUBE ADAPTOR 1/4"	SST 316L													1						
12	1	HIGH PRESSURE PUMP, HAND OPERATED, 300 PSI	VARIOUS																		1	
13	1	LABEL LOGO QUICKSCALE [®]	See Drawing	1	1	1																
14	1	LABEL MILLIPORE [®] FOR HAND PUMP	See Drawing																			1
15	2	LEG WELD ASSY—GL350/450 COLUMNS	SST 304															2				
16	2	LOAD PILLAR THREADED M24	SST 316L				2	2	2													
17	2	LOAD PILLAR UPPER THREADED M20 MALE x M16 FEMALE, GL200-300 COLUMNS	SST 316L							2												
18	1	LOCK NUT M20 x 1.5	ACETAL													1						
19	1	MALE STUD PNEUMATIC FITTING, M5 MALE x 4 mm O/D TUBE PUSH-IN	SEE SPEC																			1
20	4	NUT—HEX NYLOC—M12	SST 316															4				
21	4	NUT—HEX THIN—M16	SST 316															4				
22	1	PUMP BRACKET, HIGH PRESSURE	BLACK ACETAL																			1
23	1	PUMP SUPPORT BRACKET	BLACK ACETAL																		1	
24	1	RATING PLATE LABEL	See drawing																			
25	1	SCALE LABEL GL200 COLUMN	See Drawing	1	1	1																
26	2	SCREW—PAN-HEAD-SLOTTED—M5 x 12 LG	SST 316																			2
27	4	SCREW—SET HEX HEAD—M12 x 50 LG	SST 316															4		4		
28	2	SCREW—SET HEX HEAD—M16 x 90 LG	SST 316																			
29	1	SEAL—SQUARE SECTION—14.5 O/D x 8 I/D x 3 THICK	EPDM													1				1		
30	1	SEAL 'U' SECTION BED SUPPORT—Ø207.0	EPDM	1	1	1					1	1	1	1								
31	1	SUPPORT RING—TUBE STOP, GSG 200	BLACK PROPYLENE	1	1	1																
32	2	THRUST WASHER	BLACK ACETAL				2	2	2	2					2							
33	4	WASHER—PLAIN—M12	SST 316															4				
34	2	WASHER—PLAIN—M5	SST 316																			2
35	4	WASHER—SPRING—M12	SST 316															4		4		
36	2	WASHER—SPRING—M16	SST 316				2	2	2					2			2		2			

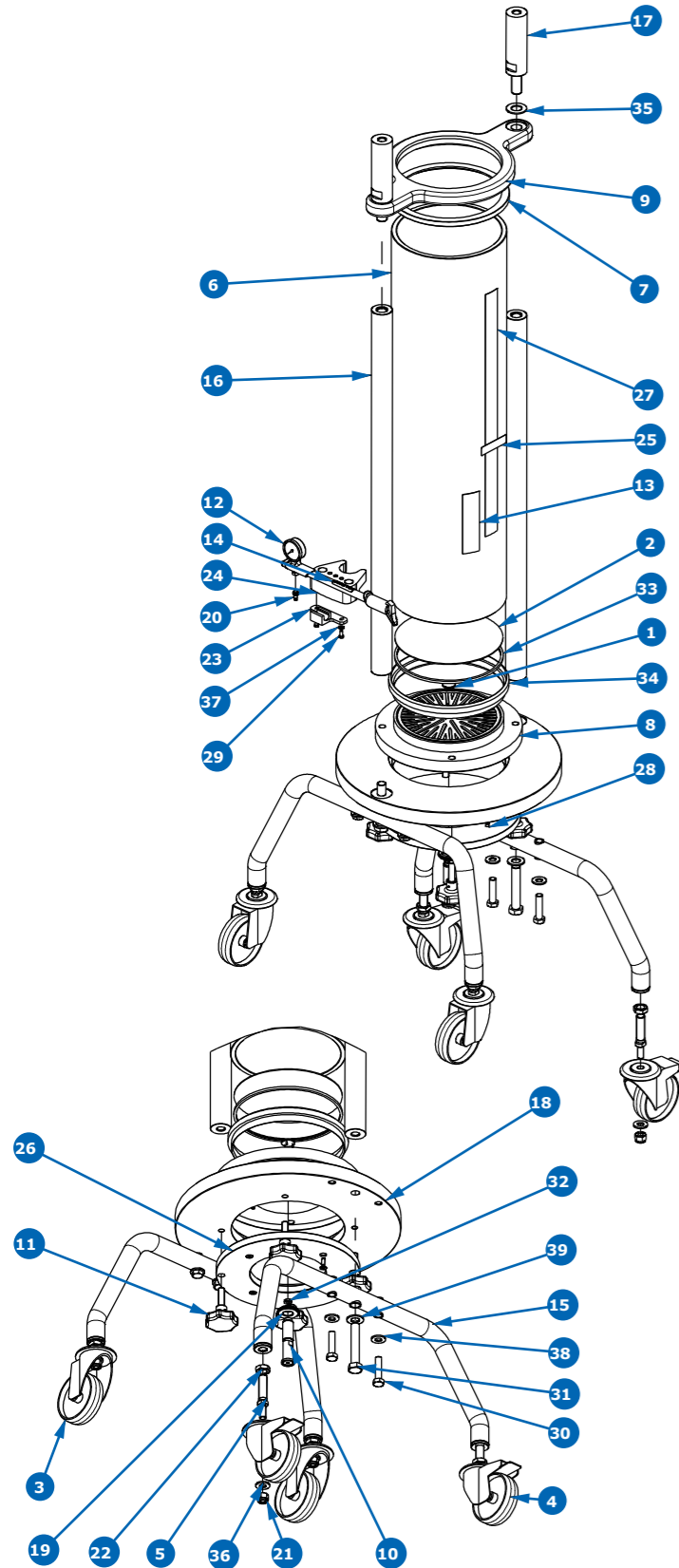
Kits for Bottom QuikScale® Column – Diameter 200 GA ACRYLIC

REF GA201711—GA201712—GA201713

NOTE 1		
Adjuster Bed Support		
10 µm	20 µm	30 µm
SPKQS200019	SPKQS200020	SPKQS200021

NOTE 2		
HEIGHT	LOAD PILLAR M24	COLUMN TUBE & SCALE LABEL
250 x 550	SPKQS2025300010	SPKQS200010
250 x 800	SPKQS2025300011	SPKQS200011
250 x 1100	SPKQS2025300012	SPKQS200012

GL105504—PM KIT	Qty
RIBBED SEAL WEDGE TYPE—200	1
SEAL 'U' SECTION BED SUPPORT—207.0 O/D	1
SEAL—SQUARE SECTION—14.5 O/D x 8.0 I/D x 3 mm	2
'O' RING—BS 254 (139.29 I/D x 3.53 SECTION)	1
'O' RING—BS 261 (171.04 I/D x 3.53 SECTION)	1
SEALING BELLOW, FLOW TUBE (GL200—300 COLUMNS)	1
LOCKNUT M20 x 1.5P	1
THRUST WASHER (GL200—300 COLUMNS)	2
SEAL BED SUPPORT MOULDED PROFILE, GL200 COLUMNS	1



Item	Qty	Description	Material	Critical																						
				Other	X	X	X	X	X	X	X	X	X	X	X	X	X	X	X	X	X	X	X			
				SPKQS200010	SPKQS200011	SPKQS200012	SPKQS2025300010	SPKQS2025300011	SPKQS2025300012	SPKQS2025300016	SPKQS200019	SPKQS200020	SPKQS200021	SPKQS200022	SPKQS200024	SPKQS200025	SPKQS200027	SPKQS200030	SPKQS200031	SPKQS2025300017	SPKQS2025300018	SPKQS2025300020	SPKQS2025300022	SPKQSXX0003	SPKQSXX0004	
1	1	ANTI-JET DISC, GL200-300 COLUMNS	BLACK POLYPROPYLENE																							
2	1	BED SUPPORT D x 7 x 1.7 THK	POROSTAR—DIN 1.4539									1	1	1												
3	2	CASTOR—SWIVEL—100—SINGLE BOLTHOLE	SEE SPEC																							
4	2	CASTOR—SWIVEL—BRAKED—100—SINGLE BOLTHOLE	SEE SPEC																							
5	4	CASTOR STUD THREADED M12 x M16 MALE, GL350/450 COLUMNS	SST 316L																							
6	1	COLUMN TUBE ACRYLIC FLANGED BOTTOM—P200	ACRYLIC	1	1	1																				
7	1	COLUMN TUBE PROTECTOR (GSP & GAP 200)	NATURAL POLYPROPYLENE														1									
8	1	FIXED CELL GA200 COLUMN	POLYPROPYLENE																							
9	1	FLANGE TOP COLUMN TUBE, GL200 COLUMN	SST 316L FORGED															1								
10	1	FLOW TUBE ADAPTOR 1/4"	SST 316L																		1					
11	4	HAND KNOB ASSEMBLY—M12 x 40 mm LONG	SEE PARTS LIST																					4		
12	1	HIGH PRESSURE PUMP, HAND OPERATED, 300 PSI	VARIOUS																							1
13	1	LABEL LOGO QUICKSCALE®	See Drawing	1	1	1																				
14	1	LABEL MILLIPORE® FOR HAND PUMP	See Drawing																							1
15	2	LEG WELD ASSY—GL350/450 COLUMNS	SST 304																							2
16	2	LOAD PILLAR THREADED M24	SST 316L				2	2	2																	
17	2	LOAD PILLAR UPPER THREADED M20 MALE x M16 FEMALE, GL200-300 COLUMNS	SST 316L							2																
18	1	LOAD RING—GA200 COLUMN	SST 316L																			1				
19	1	LOCK NUT M20 x 1.5	ACETAL																			1				
20	1	MALE STUD PNEUMATIC FITTING, M5 MALE x 4 mm O/D TUBE PUSH-IN	SEE SPEC																						1	
21	4	NUT—HEX NYLOC—M12	SST 316																			4				
22	4	NUT—HEX THIN—M16	SST 316																			4				
23	1	PUMP BRACKET, HIGH PRESSURE	BLACK ACETAL																							1
24	1	PUMP SUPPORT BRACKET	BLACK ACETAL																				1			
25	1	RATING PLATE LABEL	See drawing																							
26	1	REINFORCEMENT RING, GL200 FIXED CELL	SST 316L																			1				
27	1	SCALE LABEL GL200 COLUMN	See Drawing	1	1	1																				
28	4	SCREW—C/SUNK HEAD HEX SOCKET—M6 x 20 LG	SST 316																			4	4			
29	2	SCREW—PAN-HEAD-SLOTTED—M5 x 12 LG	SST 316																							2
30	4	SCREW—SET HEX HEAD—M12 x 50 LG	SST 316																							4
31	2	SCREW—SET HEX HEAD—M16 x 90 LG	SST 316							2	2	2														2
32	1	SEAL—SQUARE SECTION—14.5 O/D x 8 I/D x 3 THICK	EPDM																							1
33	1	SEAL 'U' SECTION BED SUPPORT—Ø207.0	EPDM	1	1	1					1	1	1	1								1				
34	1	SUPPORT RING—TUBE STOP, GAP 200	BLACK PROPYLENE	1																						1
35	2	THRUST WASHER	BLACK ACETAL																							2
36	4	WASHER—PLAIN—M12	SST 316																							4
37	2	WASHER—PLAIN—M5	SST 316																							2
38	4	WASHER—SPRING—M12	SST 316																							4
39	2	WASHER—SPRING—M16	SST 316																							2

Kits for Bottom QuikScale® Column—Diameter 200 GS ACRYLIC

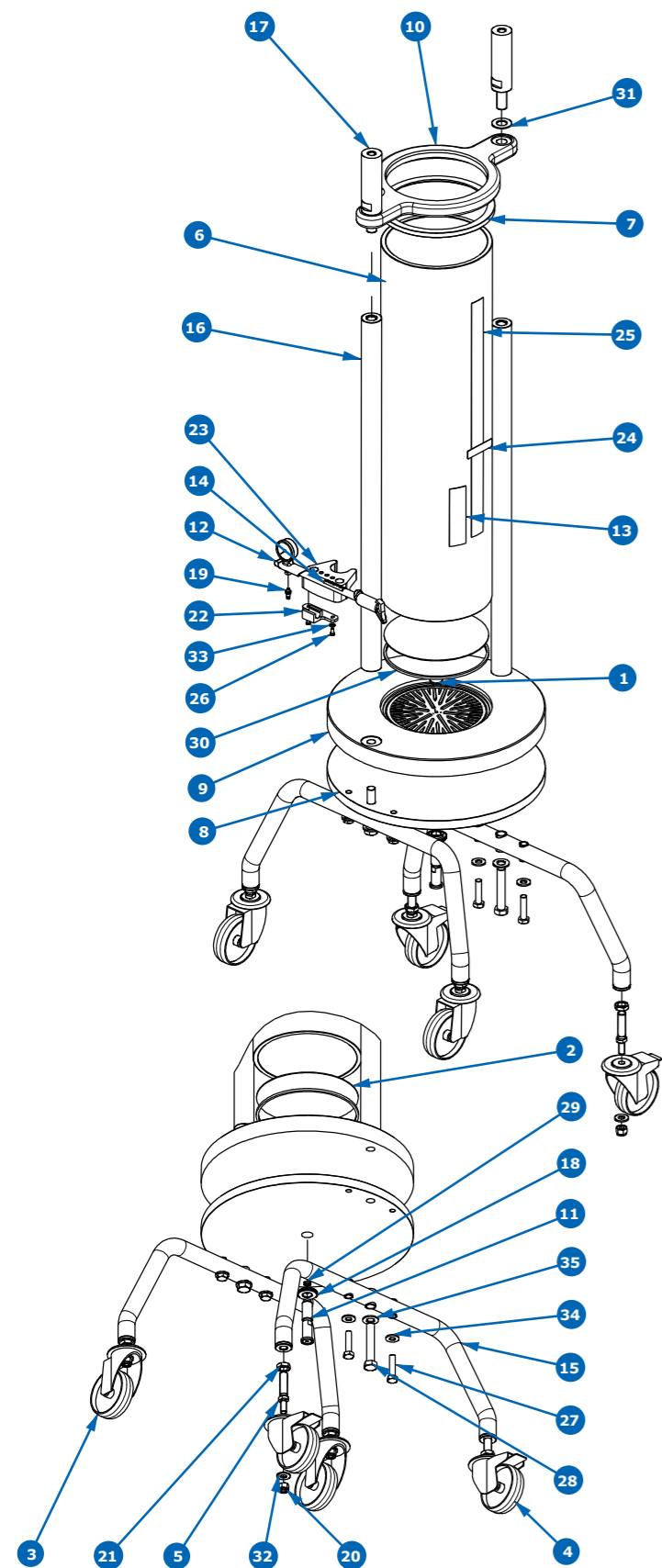
REF GS201711—GS201712—GS201713

NOTE 1 Adjuster Bed Support		
10 µm	20 µm	30 µm
SPKQS200019	SPKQS200020	SPKQS200021

NOTE 2		
HEIGHT	LOAD PILLAR M24	COLUMN TUBE & SCALE LABEL
250 x 550	SPKQS2025300013	SPKQS200010
250 x 800	SPKQS2025300014	SPKQS200011
250 x 1100	SPKQS2025300015	SPKQS200012

GL105504—PM KIT	Qty
RIBBED SEAL WEDGE TYPE—200	1
SEAL 'U' SECTION BED SUPPORT—207.0 O/D	1
SEAL—SQUARE SECTION—14.5 O/D x 8.0 I/D x 3 mm	2
'O' RING—BS 254 (139.29 I/D x 3.53 SECTION)	1
'O' RING—BS 261 (171.04 I/D x 3.53 SECTION)	1
SEALING BELLOW, FLOW TUBE (GL200—300 COLUMNS)	1
LOCKNUT M20 x 1.5P	1
THRUST WASHER (GL200—300 COLUMNS)	2
SEAL BED SUPPORT MOULDED PROFILE, GL200 COLUMNS	1

Item	Qty	Description	Material	Critical																			
				Other																			
				SPKQS200010	SPKQS200011	SPKQS200012	SPKQS2025300013	SPKQS2025300014	SPKQS2025300015	SPKQS2025300016	SPKQS200019	SPKQS200020	SPKQS200021	SPKQS200023	SPKQS200025	SPKQS200030	SPKQS2025300017	SPKQS2025300019	SPKQS2025300020	SPKQS2025300021	SPKQSXX0003	SPKQSXX0004	
1	1	ANTI-JET DISC, GL200-300 COLUMNS	BLACK POLYPROPYLENE																				
2	1	BED SUPPORT D x 7 x 1.7 THK	POROSTAR—DIN 1.4539									1	1	1									
3	2	CASTOR—SWIVEL—100—SINGLE BOLTHOLE	SEE SPEC																	2			
4	2	CASTOR—SWIVEL—BRAKED—100—SINGLE BOLTHOLE	SEE SPEC																	2			
5	4	CASTOR STUD THREADED M12 x M16 MALE, GL350/450 COLUMNS	SST 316L																	4			
6	1	COLUMN TUBE ACRYLIC FLANGED BOTTOM—P200	ACRYLIC	1	1	1																	
7	1	COLUMN TUBE PROTECTOR (GSP & GAP 200)	NATURAL POLYPROPYLENE												1								
8	1	FIXED CELL BACKING PLATE Ø430 x 20 mm, GL200-300 COLUMNS	SST 316L																		1		
9	1	FIXED CELL GS200 COLUMN	POLYPROPYLENE											1									
10	1	FLANGE TOP COLUMN TUBE, GL200 COLUMN	SST 316L FORGED													1							
11	1	FLOW TUBE ADAPTOR 1/4"	SST 316L														1						
12	1	HIGH PRESSURE PUMP, HAND OPERATED, 300 PSI	VARIOUS																			1	
13	1	LABEL LOGO QUICKSCALE®	See Drawing	1	1	1																	
14	1	LABEL MILLIPORE® FOR HAND PUMP	See Drawing																				1
15	2	LEG WELD ASSY—GL350/450 COLUMNS	SST 304																	2			
16	2	LOAD PILLAR THREADED M24	SST 316L				2	2	2														
17	2	LOAD PILLAR UPPER THREADED M20 MALE x M16 FEMALE, GL200-300 COLUMNS	SST 316L							2													
18	1	LOCK NUT M20 x 1.5	ACETAL																1				
19	1	MALE STUD PNEUMATIC FITTING, M5 MALE x 4 mm O/D TUBE PUSH-IN	SEE SPEC																			1	
20	4	NUT—HEX NYLOC—M12	SST 316																	4			
21	4	NUT—HEX THIN—M16	SST 316																	4			
22	1	PUMP BRACKET, HIGH PRESSURE	BLACK ACETAL																				1
23	1	PUMP SUPPORT BRACKET	BLACK ACETAL																		1		
24	1	RATING PLATE LABEL	See drawing																				
25	1	SCALE LABEL GL200 COLUMN	See Drawing	1	1	1																	
26	2	SCREW—PAN-HEAD-SLOTTED—M5 x 12 LG	SST 316																				2
27	4	SCREW—SET HEX HEAD—M12 x 50 LG	SST 316																		4	4	
28	2	SCREW—SET HEX HEAD—M16 x 90 LG	SST 316																				
29	1	SEAL—SQUARE SECTION—14.5 O/D x 8 I/D x 3 THICK	EPDM																1			1	
30	1	SEAL 'U' SECTION BED SUPPORT—Ø207.0	EPDM	1	1	1					1	1	1	1									
31	2	THRUST WASHER	BLACK ACETAL				2	2	2	2													
32	4	WASHER—PLAIN—M12	SST 316																		4		
33	2	WASHER—PLAIN—M5	SST 316																				2
34	4	WASHER—SPRING—M12	SST 316																		4	4	
35	2	WASHER—SPRING—M16	SST 316				2	2	2					2									



Kits for Bottom QuikScale® Column —Diameter 250 GS ACRYLIC

REF GS251511— GS251512—GS251513

NOTE 1

Adjuster Bed Support

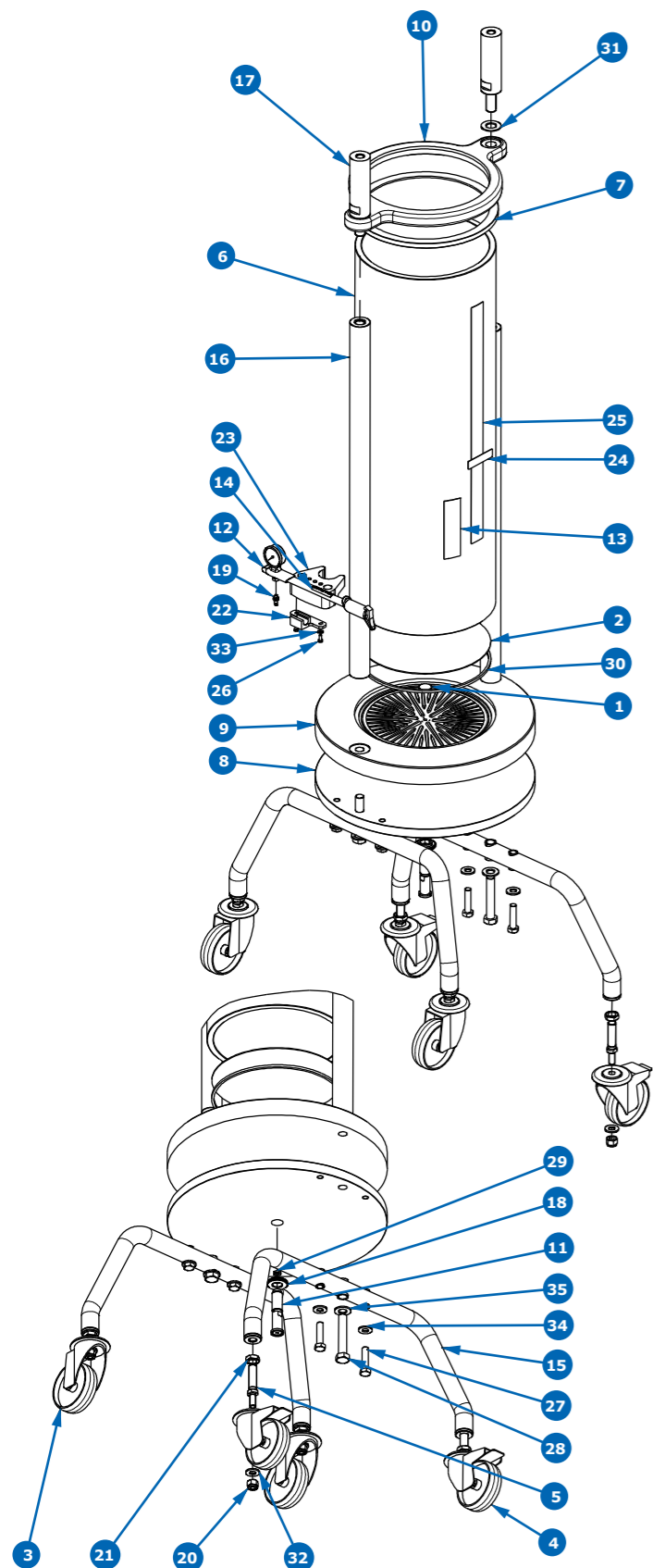
10 µm	20 µm	30 µm
SPKQS250015	SPKQS250016	SPKQS250017

NOTE 2

HEIGHT	LOAD PILLAR M24	COLUMN TUBE & SCALE LABEL
250 x 550	SPKQS2025300013	SPKQS250009
250 x 800	SPKQS2025300014	SPKQS250010
250 x 1100	SPKQS2025300015	SPKQS250011

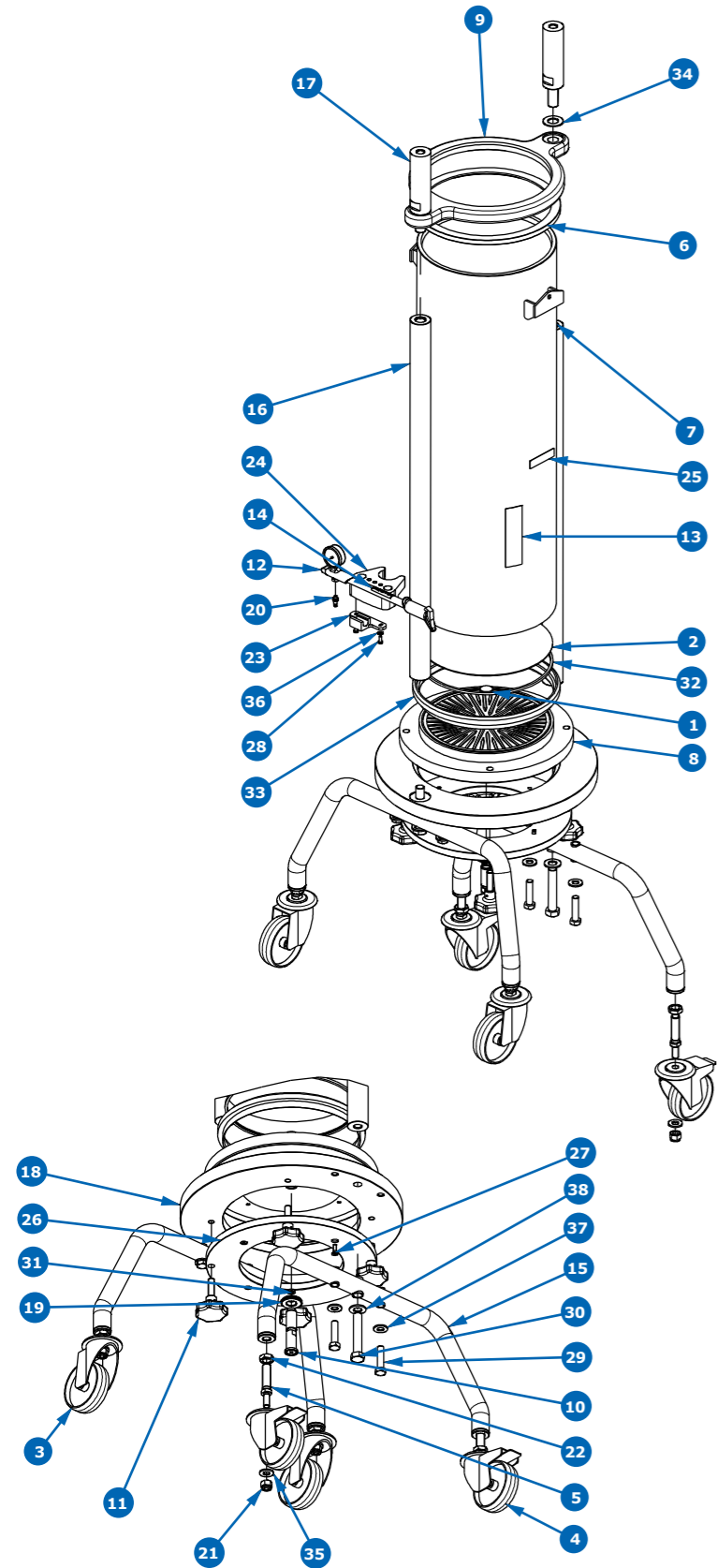
GL105505—PM KIT

	Qty
RIBBED SEAL WEDGE TYPE—250	1
SEAL 'U' SECTION BED SUPPORT—257.0 O/D	1
SEAL—SQUARE SECTION—14.5 O/D x 8.0 I/D x 3 mm THICK	2
'O' RING—BS 264 (190.09 I/D x 3.53 SECTION)	1
'O' RING—BS 268 (215.49 I/D x 3.53 SECTION)	1
SEALING BELLOW, FLOW TUBE	1
LOCKNUT M20 x 1.5P	1
THRUST WASHER	2
SEAL BED SUPPORT MOULDED PROFILE	1



Critical																			
	X	X	X	X	X	X	X	X	X	X	X	X	X	X	X				
Other	X	X	X	X	X	X	X	X	X	X	X	X	X	X	X				
	SPKQS250009	SPKQS250010	SPKQS250011	SPKQS2025300013	SPKQS2025300014	SPKQS2025300015	SPKQS2025300016	SPKQS250015	SPKQS250016	SPKQS250017	SPKQS250019	SPKQS250022	SPKQS250026	SPKQS2025300017	SPKQS2025300019	SPKQS2025300020	SPKQS2025300021	SPKQSXX0003	SPKQSXX0004
Item Qty Description																			
1 1 ANTI-JET DISC, GL200-300 COLUMNS											1								
2 1 BED SUPPORT D x 7 x 1.7 THK								1	1	1									
3 2 CASTOR—SWIVEL—100—SINGLE BOLTHOLE																			2
4 2 CASTOR—SWIVEL—BRAKED—100—SINGLE BOLTHOLE																			2
5 4 CASTOR STUD THREADED M12 x M16 MALE, GL350/450 COLUMNS																			4
6 1 COLUMN TUBE ACRYLIC FLANGED BOTTOM—P250	1	1	1																
7 1 COLUMN TUBE PROTECTOR (GSP & GAP 250)											1								
8 1 FIXED CELL BACKING PLATE Ø430 x 20 mm, GL200-300 COLUMNS																		1	
9 1 FIXED CELL GS250 COLUMN											1								
10 1 FLANGE TOP COLUMN TUBE, GL250 COLUMN													1						
11 1 FLOW TUBE ADAPTOR 1/4"													1						
12 1 HIGH PRESSURE PUMP, HAND OPERATED, 300 PSI																			1
13 1 LABEL LOGO QUICKSCALE®	1	1	1																
14 1 LABEL MILLIPORE® FOR HAND PUMP																			1
15 2 LEG WELD ASSY—GL350/450 COLUMNS																			2
16 2 LOAD PILLAR THREADED M24				2	2	2													
17 2 LOAD PILLAR UPPER THREADED M20 MALE x M16 FEMALE, GL200-300 COLUMNS							2												
18 1 LOCK NUT M20 x 1.5														1					
19 1 MALE STUD PNEUMATIC FITTING, M5 MALE x 4 mm O/D TUBE PUSH-IN																			1
20 4 NUT—HEX NYLOC—M12																			4
21 4 NUT—HEX THIN—M16																			4
22 1 PUMP BRACKET, HIGH PRESSURE																			1
23 1 PUMP SUPPORT BRACKET																	1		
24 1 RATING PLATE LABEL																			
25 1 SCALE LABEL GL250 COLUMN	1	1	1																
26 2 SCREW—PAN-HEAD-SLOTTED—M5 x 12 LG																			2
27 4 SCREW—SET HEX HEAD—M12 x 50 LG																			4
28 2 SCREW—SET HEX HEAD—M16 x 90 LG																			4
29 1 SEAL—SQUARE SECTION—14.5 O/D x 8 I/D x 3 THICK											1			1					1
30 1 SEAL 'U' SECTION BED SUPPORT—Ø257.0	1	1	1							1	1	1	1						
31 2 THRUST WASHER										2	2	2	2						2
32 4 WASHER—PLAIN—M12																			4
33 2 WASHER—PLAIN—M5																			2
34 4 WASHER—SPRING—M12																			4
35 2 WASHER—SPRING—M16																			2

Kits for Bottom QuikScale® Column —Diameter 250 GA SST



REF GA253511—GA253512—GA253513

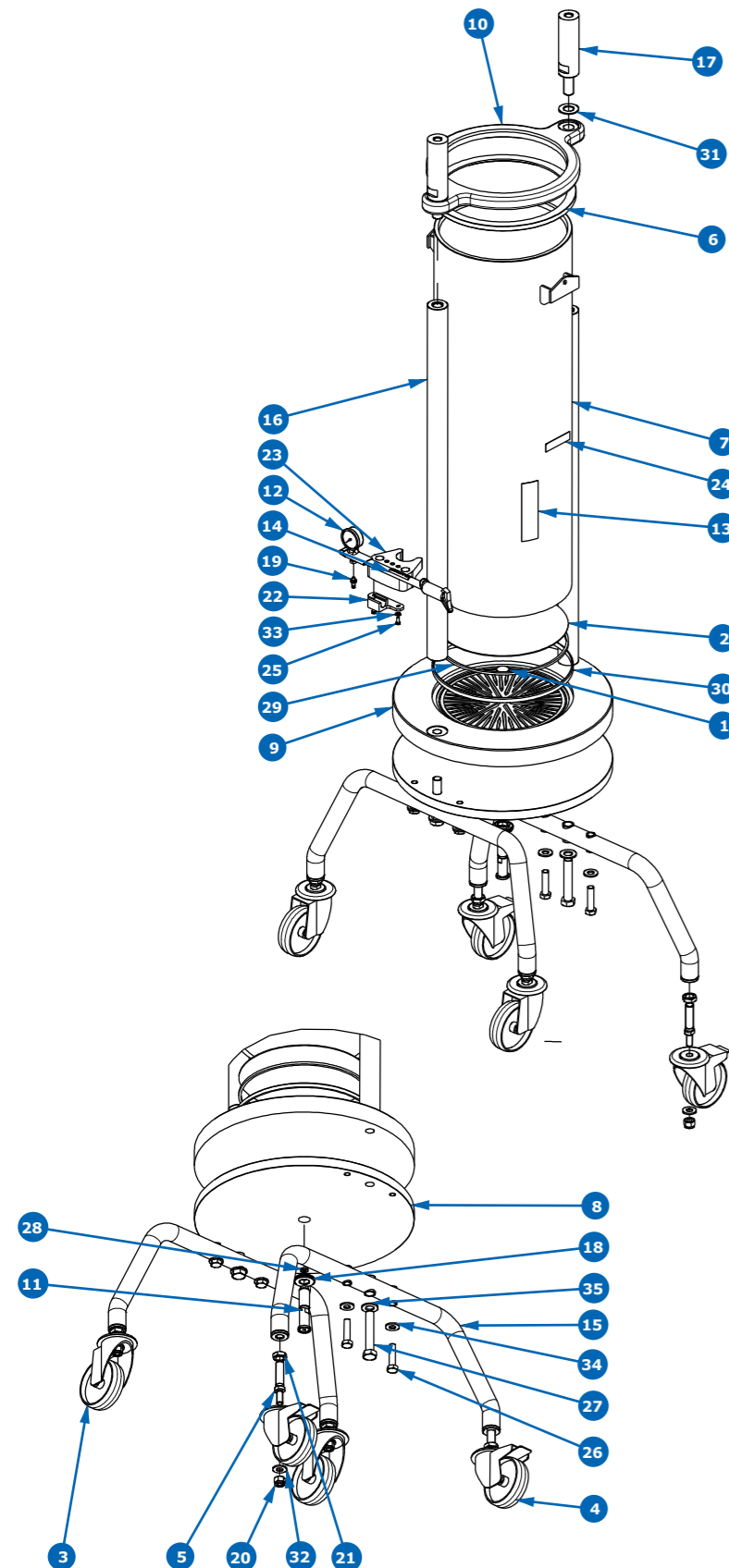
NOTE 1		
Adjuster Bed Support		
10 µm	20 µm	30 µm
SPKQS250015	SPKQS250016	SPKQS250017

NOTE 2		
HEIGHT	LOAD PILLAR M24	COLUMN TUBE & SCALE LABEL
250 x 550	SPKQS2025300010	SPKQS250012
250 x 800	SPKQS2025300011	SPKQS250013
250 x 1100	SPKQS2025300012	SPKQS250014

GL105505—PM KIT	Qty
RIBBED SEAL WEDGE TYPE—250	1
SEAL 'U' SECTION BED SUPPORT—257.0 O/D	1
SEAL—SQUARE SECTION—14.5 O/D x 8.0 I/D x 3 mm THICK	2
'O' RING—BS 264 (190.09 I/D x 3.53 SECTION)	1
'O' RING—BS 268 (215.49 I/D x 3.53 SECTION)	1
SEALING BELLOW, FLOW TUBE	1
LOCKNUT M20 x 1.5P	1
THRUST WASHER	2
SEAL BED SUPPORT MOULDED PROFILE	1

Item	Qty	Description	Material	Critical																						
				Other																						
1	1	ANTI-JET DISC, GL200-300 COLUMNS	BLACK POLYPROPYLENE														X	X	X	X						
2	1	BED SUPPORT D x 7 x 1.7 THK	POROSTAR—DIN 1.4539														1	1	1							
3	2	CASTOR—SWIVEL—100—SINGLE BOLTHOLE	SEE SPEC																					2		
4	2	CASTOR—SWIVEL—BRAKED—100—SINGLE BOLTHOLE	SEE SPEC																					2		
5	4	CASTOR STUD THREADED M12 x M16 MALE, GL350/450 COLUMNS	SST 316L																					4		
6	1	COLUMN TUBE PROTECTOR (GSS & GAS 250)	NATURAL POLYPROPYLENE																			1				
7	1	COLUMN TUBE WELD ASSY ST. STL S250 x 750	SST 316L—1.4404	1	1	1																				
8	1	FIXED CELL GA250 COLUMN	POLYPROPYLENE																	1						
9	1	FLANGE TOP COLUMN TUBE, GL250 COLUMN	SST 316L FORGED																			1				
10	1	FLOW TUBE ADAPTOR 1/4"	SST 316L																				1			
11	4	HAND KNOB ASSEMBLY—M12 x 40 mm LONG	SEE PARTS LIST																						4	
12	1	HIGH PRESSURE PUMP, HAND OPERATED, 300 PSI	VARIOUS																						1	
13	1	LABEL LOGO QUICKSCALE®	See Drawing	1	1	1																				1
14	1	LABEL MILLIPORE® FOR HAND PUMP	See Drawing																							1
15	2	LEG WELD ASSY—GL350/450 COLUMNS	SST 304																				2			
16	2	LOAD PILLAR THREADED M24	SST 316L				2	2	2																	
17	2	LOAD PILLAR UPPER THREADED M20 MALE x M16 FEMALE, GL200-300 COLUMNS	SST 316L							2																
18	1	LOAD RING—GA250 COLUMN	SST 316L																				1			
19	1	LOCK NUT M20 x 1.5	ACETAL																				1			
20	1	MALE STUD PNEUMATIC FITTING, M5 MALE x 4 mm O/D TUBE PUSH-IN	SEE SPEC																						1	
21	4	NUT—HEX NYLOC—M12	SST 316																					4		
22	4	NUT—HEX THIN—M16	SST 316																					4		
23	1	PUMP BRACKET, HIGH PRESSURE	BLACK ACETAL																						1	
24	1	PUMP SUPPORT BRACKET	BLACK ACETAL																					1		
25	1	RATING PLATE LABEL	See drawing																							
26	1	REINFORCEMENT RING, GL250 FIXED CELL	SST 316L																				1			
27	4	SCREW—C/SUNK HEAD HEX SOCKET—M6 x 20 LG	SST 316																	4	4					
28	2	SCREW—PAN-HEAD-SLOTTED—M5 x 12 LG	SST 316																							2
29	4	SCREW—SET HEX HEAD—M12 x 50 LG	SST 316																				4	4		
30	2	SCREW—SET HEX HEAD—M16 x 90 LG	SST 316							2	2	2											2	2		
31	1	SEAL—SQUARE SECTION—14.5 O/D x 8 I/D x 3 THICK	EPDM																			1				1
32	1	SEAL 'U' SECTION BED SUPPORT—Ø257.0	EPDM	1	1	1								1	1	1	1						1			1
33	1	SUPPORT RING—TUBE STOP, GAS 250	BLACK PROPYLENE																					1		
34	2	THRUST WASHER	BLACK ACETAL							2	2	2	2											2		
35	4	WASHER—PLAIN—M12	SST 316																						4	
36	2	WASHER—PLAIN—M5	SST 316																							2
37	4	WASHER—SPRING—M12	SST 316																					4	4	
38	2	WASHER—SPRING—M16	SST 316										2	2	2									2	2	

Kits for Bottom QuikScale® Column —Diameter 250 GS SST



REF GS253511—GS253512—GS253513

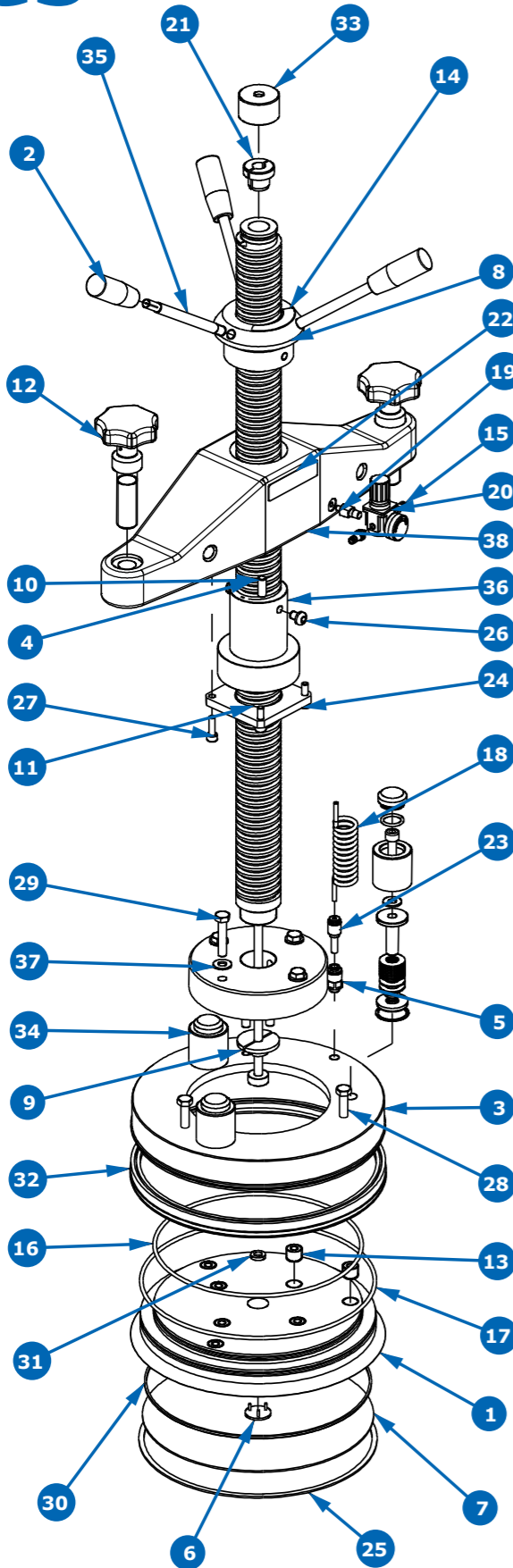
NOTE 1		
Adjuster Bed Support		
10 µm	20 µm	30 µm
SPKQS250015	SPKQS250016	SPKQS250017

NOTE 2		
HEIGHT	LOAD PILLAR M24	COLUMN TUBE & SCALE LABEL
250 x 550	SPKQS2025300013	SPKQS250012
250 x 800	SPKQS2025300014	SPKQS250013
250 x 1100	SPKQS2025300015	SPKQS250014

GL105505—PM KIT	Qty
RIBBED SEAL WEDGE TYPE—250	1
SEAL 'U' SECTION BED SUPPORT—257.0 O/D	1
SEAL—SQUARE SECTION—14.5 O/D x 8.0 I/D x 3 mm THICK	2
'O' RING—BS 264 (190.09 I/D x 3.53 SECTION)	1
'O' RING—BS 268 (215.49 I/D x 3.53 SECTION)	1
SEALING BELLOW, FLOW TUBE	1
LOCKNUT M20 x 1.5P	1
THRUST WASHER	2
SEAL BED SUPPORT MOULDED PROFILE	1

Item	Qty	Description	Material	Critical																				
				Other	X	X	X	X	X	X	X	X	X	X	X	X	X	X						
				SPKQS250012	SPKQS250013	SPKQS250014	SPKQS2025300013	SPKQS2025300014	SPKQS2025300015	SPKQS2025300016	SPKQS250015	SPKQS250016	SPKQS250017	SPKQS250019	SPKQS250021	SPKQS250023	SPKQS250026	SPKQS2025300017	SPKQS2025300019	SPKQS2025300020	SPKQS2025300021	SPKQSXX0003	SPKQSXX0004	
1	1	ANTI-JET DISC, GL200-300 COLUMNS	BLACK POLYPROPYLENE																					
2	1	BED SUPPORT D x 7 x 1.7 THK	POROSTAR—DIN 1.4539								1	1	1											
3	2	CASTOR—SWIVEL—100—SINGLE BOLTHOLE	SEE SPEC																		2			
4	2	CASTOR—SWIVEL—BRAKED—100—SINGLE BOLTHOLE	SEE SPEC																		2			
5	4	CASTOR STUD THREADED M12 x M16 MALE, GL350/450 COLUMNS	SST 316L																		4			
6	1	COLUMN TUBE PROTECTOR (GSS & GAS 250)	NATURAL POLYPROPYLENE											1										
7	1	COLUMN TUBE WELD ASSY ST. STL S250 x 750	SST 316L—1.4404	1	1	1																		
8	1	FIXED CELL BACKING PLATE Ø430 x 20 mm, GL200-300 COLUMNS	SST 316L																			1		
9	1	FIXED CELL GS250 COLUMN	POLYPROPYLENE											1										
10	1	FLANGE TOP COLUMN TUBE, GL250 COLUMN	SST 316L FORGED														1							
11	1	FLOW TUBE ADAPTOR 1/4"	SST 316L															1						
12	1	HIGH PRESSURE PUMP, HAND OPERATED, 300 PSI	VARIOUS																			1		
13	1	LABEL LOGO QUICKSCALE®	See Drawing	1	1	1																		
14	1	LABEL MILLIPORE® FOR HAND PUMP	See Drawing																				1	
15	2	LEG WELD ASSY—GL350/450 COLUMNS	SST 304																		2			
16	2	LOAD PILLAR THREADED M24	SST 316L				2	2	2															
17	2	LOAD PILLAR UPPER THREADED M20 MALE x M16 FEMALE, GL200-300 COLUMNS	SST 316L							2														
18	1	LOCK NUT M20 x 1.5	ACETAL																1					
19	1	MALE STUD PNEUMATIC FITTING, M5 MALE x 4 mm O/D TUBE PUSH-IN	SEE SPEC																				1	
20	4	NUT—HEX NYLOC—M12	SST 316																		4			
21	4	NUT—HEX THIN—M16	SST 316																		4			
22	1	PUMP BRACKET, HIGH PRESSURE	BLACK ACETAL																				1	
23	1	PUMP SUPPORT BRACKET	BLACK ACETAL																		1			
24	1	RATING PLATE LABEL	See drawing																					
25	2	SCREW—PAN-HEAD-SLOTTED—M5 x 12 LG	SST 316																				2	
26	4	SCREW—SET HEX HEAD—M12 x 50 LG	SST 316																		4	4		
27	2	SCREW—SET HEX HEAD—M16 x 90 LG	SST 316																					
28	1	SEAL—SQUARE SECTION—14.5 O/D x 8 I/D x 3 THICK	EPDM											1				1			1			
29	1	SEAL 'U' SECTION BED SUPPORT—Ø257.0	EPDM	1	1	1					1	1	1	1										
30	1	SUPPORT RING—TUBE STOP, GSS 250	BLACK PROPYLENE													1								
31	2	THRUST WASHER	BLACK ACETAL				2	2	2	2							2							
32	4	WASHER—PLAIN—M12	SST 316																		4			
33	2	WASHER—PLAIN—M5	SST 316																					2
34	4	WASHER—SPRING—M12	SST 316																		4	4		
35	2	WASHER—SPRING—M16	SST 316				2	2	2					2							2	2		

Kits for Bottom QuikScale® Column —Diameter 250 GA/GS



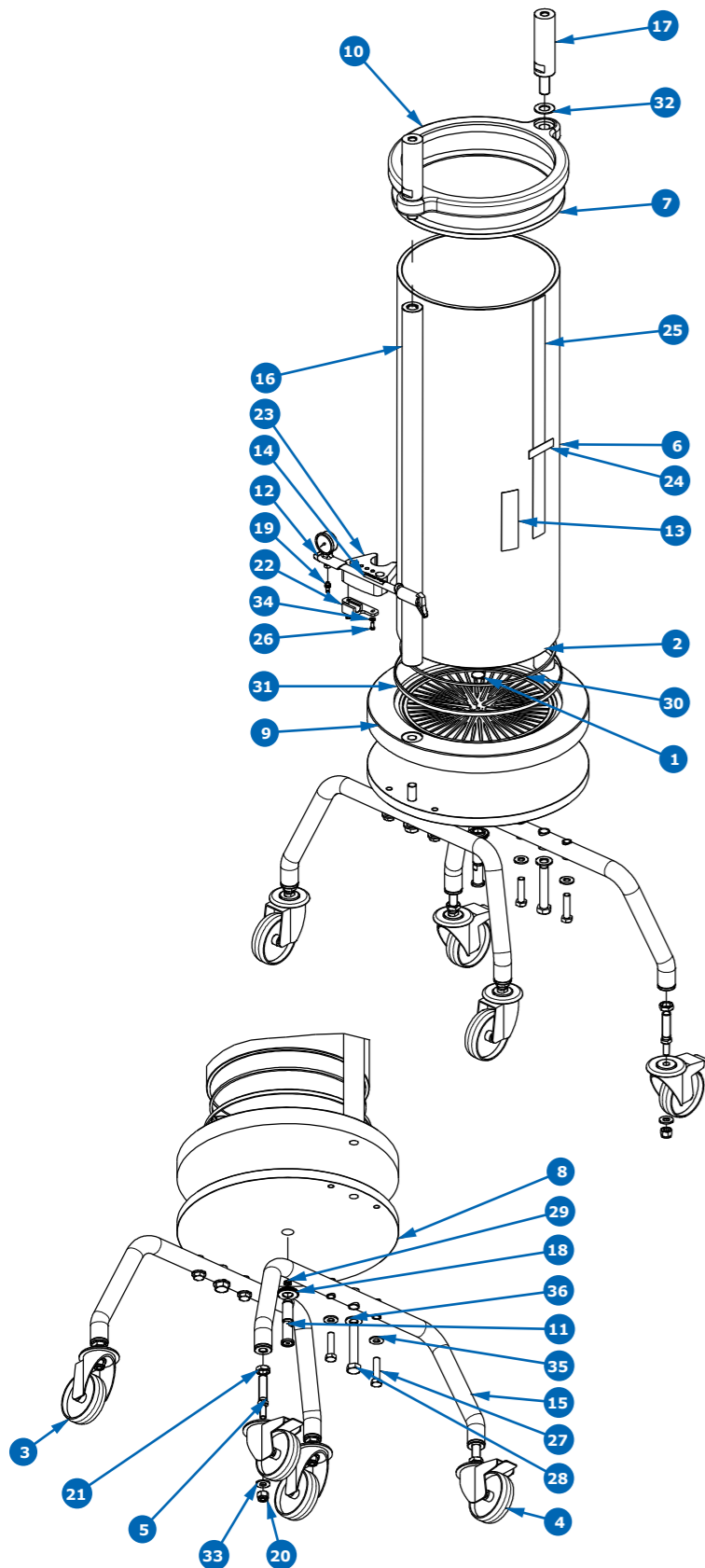
REF GS253511—GS253512—GS253513
 REF GA253511—GA253512—GA253513
 REF GS251511—GS251512—GS251513
 REF GA251511—GA251512—GA251513

NOTE 1 Adjuster Bed Support		
10 µm	20 µm	30 µm
SPKQS250001	SPKQS250002	SPKQS250003

GL105505—PM KIT	Qty
RIBBED SEAL WEDGE TYPE—250	1
SEAL 'U' SECTION BED SUPPORT—257.0 O/D	1
SEAL—SQUARE SECTION—14.5 O/D x 8.0 I/D x 3 mm THICK	2
'O' RING—BS 264 (190.09 I/D x 3.53 SECTION)	1
'O' RING—BS 268 (215.49 I/D x 3.53 SECTION)	1
SEALING BELLOW, FLOW TUBE	1
LOCKNUT M20 x 1.5P	1
THRUST WASHER	2
SEAL BED SUPPORT MOULDED PROFILE	1

Item	Qty	Description	Material	Critical																			
				SPKQS250001	SPKQS250002	SPKQS250003	SPKQS250004	SPKQS250005	SPKQS250006	SPKQS250007	SPKQS25300001	SPKQS250008	SPKQS2025300002	SPKQS2025300003	SPKQS2025300004	SPKQS2025300005	SPKQS2025300006	SPKQS2025300007	SPKQS2025300008	SPKQS2025300009	SPKQSXX0001	SPKQSXX0002	
1	1	ADJUSTER CELL—250 COLUMN	BLACK POLYPROPYLENE						1														
2	3	ADJUSTER HANDLE BLACK—M10 FEMALE x 65 mm LONG	SEE SPEC																			3	3
3	1	ADJUSTER SEAL SETTING RING GL250 COLUMN	SST 316L												1								
4	1	ADJUSTER STEM & ADAPTER ASSY								1													
5	1	AIR INLET FITTING—1/8" BSP x 6 mm OD TUBE	BLACK ACETAL																			1	
6	1	ANTI-JET DISC, GL200-300 COLUMNS	BLACK POLYPROPYLENE						1														
7	1	BED SUPPORT D x 7 x 1.7 THK	POROSTAR—DIN 1.4539	1	1	1																	
8	1	BOSS HANDWHEEL, STEM ROTATION—GL200/300 COLUMNS	SST 316L																			1	
9	1	COLLET SPLIT, FLOW TUBE, GL200/300 COLUMNS	BLACK ACETAL							1			1	1									
10	2	DOWEL PIN—8 x 20 LG	SEE SPEC															2				2	
11	1	FLOW TUBE 1/2" SANITARY, 6 mm BORE GL200/300 COLUMNS	SST 316L												1								
12	2	HAND KNOB ASSY THREADED M16 MALE	SEE PARTS LIST																	2	2		
13	7	INSERT THREAD—M16 x M8 x 12LG	SST 316L						7														
14	1	LABEL "RAISE/LOWER"	See Drawing																			1	
15	2	MALE STUD PNEUMATIC FITTING, M5 MALE x 4 mm O/D TUBE PUSH-IN	SEE SPEC																				2
16	1	O' RING—BS264 (190.09 I/D x 3.53 SECTION)	EPDM						1	1				1									
17	1	O' RING—BS268 (215.49 I/D x 3.53 SECTION)	EPDM						1	1				1									
18	1	POLYURETHANE COIL TUBING—4 mm DIA	POLYURETHANE																			1	1
19	1	PRESSURE REGULATOR MOUNT 1/16" NPT x M5	SST 316L																				1
20	1	PRESSURE REGULATOR, THREADED M5 x 1/16"	SEE SPEC																				1
21	1	QUIKSCALE FLOW TUBE UPPER SPLIT COLLET, GL200-300 COLUMNS	BLACK ACETAL									1		1	1								
22	1	RATING PLATE LABEL	See drawing																		1		
23	1	REDUCER PNEUMATIC FITTING, 6 mm O/D STEM x 4 mm O/D TUBE	BLACK ACETAL																				1
24	1	RETAINER PLATE, ADJUSTERT THRUST RING. GL200-300 COLUMNS	SST 316L															1					
25	1	RETAINING RING—ADJUSTER CELL BED SUPPORT—GL250	BLACK POLYPROPYLENE	1	1	1	1																
26	2	SCREW—BUTTON HEAD—M8 x 10 LG	SST 316																	2		2	
27	4	SCREW—CAP HEAD—M6 x 20 LG	SST 316																				
28	3	SCREW—SET HEX HEAD—M8 x 35 LG	SST 316																				
29	4	SCREW—SET HEX HEAD—M8 x 40 LG	SST 316						4	4		4	4	4	4	4						4	
30	1	SEAL—ADJUSTER CELL BED SUPPORT—GL250	EDPM E50Q	1	1	1	1		1	1			1										
31	1	SEAL—SQUARE SECTION—14.5 O/D x 8 I/D x 3 THICK	EPDM						1	1		1	1	1	1	1						1	
32	1	SEAL WEDGE TYPE (DOUBLE CHAMFER) ADJUSTER CELL P250 COLUMNS	BLACK EPDM						1	1				1									
33	1	SEALING BELLOW, FLOW TUBE (GL200-300 COLUMNS)	EPDM									1			1	1					1	1	
34	3	SPRING CARTRIDGE ASSEMBLY—GL250								3													
35	3	STUD M10x134mm OVERALL LENGTH (14, 100, 20)	SST 316L																			3	3
36	1	THRUST RING STEM RETAINER 30 x 6 LH THREAD	BLACK ACETAL																		1		
37	7	WASHER—PLAIN—M8	SST 316						4	4		4	4	4	4	4							
38	1	YOKE, LOAD FRAME, FORGED. GL200/300 COLUMNS	SST 316L FORGED																				1

Kits for Bottom QuikScale® Column —Diameter 300 GS GLASS



REF GS302311—GS302312—GS302313

NOTE 1		
Adjuster Bed Support		
10 µm	20 µm	30 µm
SPKQS300021	SPKQS300022	SPKQS300023

NOTE 2		
HEIGHT	LOAD PILLAR M24	COLUMN TUBE & SCALE LABEL
300 x 550	SPKQS2025300013	SPKQS300015
300 x 800	SPKQS2025300014	SPKQS300016
300 x 1100	SPKQS2025300015	SPKQS300017

GL105506—PM KIT	Qty
RIBBED SEAL WEDGE TYPE—300	1
SEAL 'U' SECTION BED SUPPORT—303.0 O/D	1
SEAL—SQUARE SECTION—14.5 O/D x 8.0 I/D x 3 mm THICK	2
'O' RING—BS 269 (221.84 I/D x 3.53 SECTION)	1
'O' RING—BS 274 (253.59 I/D x 3.53 SECTION)	1
SEALING BELLOW, FLOW TUBE	1
LOCKNUT M20 x 1.5P	1
THRUST WASHER	2
SEAL BED SUPPORT MOULDED PROFILE, GL300 COLUMNS	1

Item	Qty	Description	Material	Critical																			
				SPKQS300015	SPKQS300016	SPKQS300017	SPKQS2025300013	SPKQS2025300014	SPKQS2025300015	SPKQS2025300016	SPKQS300021	SPKQS300022	SPKQS300023	SPKQS300025	SPKQS300035	SPKQS2025300017	SPKQS2025300019	SPKQS2025300020	SPKQS2025300021	SPKQSXX0003	SPKQSXX0004		
1	1	ANTI-JET DISC, GL200-300 COLUMNS	BLACK POLYPROPYLENE																				
2	1	BED SUPPORT D x 7 x 1.7 THK	POROSTAR—DIN 1.4539								1	1	1										
3	2	CASTOR—SWIVEL—100—SINGLE BOLTHOLE	SEE SPEC																			2	
4	2	CASTOR—SWIVEL—BRAKED—100—SINGLE BOLTHOLE	SEE SPEC																			2	
5	4	CASTOR STUD THREADED M12 x M16 MALE, GL350/450 COLUMNS	SST 316L																			4	
6	1	COLUMN TUBE 300 CALIBRATED GLASS	BOROSILICATE GLASS	1	1	1																	
7	1	COLUMN TUBE PROTECTOR (GSG & GAG 300)	NATURAL POLYPROPYLENE	1	1	1																	
8	1	FIXED CELL BACKING PLATE Ø430 x 20 mm, GL200-300 COLUMNS	SST 316L																			1	
9	1	FIXED CELL GS300 COLUMN	POLYPROPYLENE											1									
10	1	FLANGE TOP COLUMN TUBE, GL300 COLUMN	SST 316L FORGED																1				
11	1	FLOW TUBE ADAPTOR 1/4"	SST 316L																	1			
12	1	HIGH PRESSURE PUMP, HAND OPERATED, 300 PSI	VARIOUS																				1
13	1	LABEL LOGO QUICKSCALE®	See Drawing	1	1	1																	1
14	1	LABEL MILLIPORE® FOR HAND PUMP	See Drawing																				1
15	2	LEG WELD ASSY—GL350/450 COLUMNS	SST 304																			2	
16	2	LOAD PILLAR THREADED M24	SST 316L				2	2	2														
17	2	LOAD PILLAR UPPER THREADED M20 MALE x M16 FEMALE, GL200-300 COLUMNS	SST 316L							2													
18	1	LOCK NUT M20 x 1.5	ACETAL																		1		
19	1	MALE STUD PNEUMATIC FITTING, M5 MALE x 4 mm O/D TUBE PUSH-IN	SEE SPEC																				1
20	4	NUT—HEX NYLOC—M12	SST 316																			4	
21	4	NUT—HEX THIN—M16	SST 316																			4	
22	1	PUMP BRACKET, HIGH PRESSURE	BLACK ACETAL																				1
23	1	PUMP SUPPORT BRACKET	BLACK ACETAL																			1	
24	1	RATING PLATE LABEL	See drawing																				
25	1	SCALE LABEL GL300 COLUMN	See Drawing	1	1	1																	
26	2	SCREW—PAN-HEAD-SLOTTED—M5 x 12 LG	SST 316																				2
27	4	SCREW—SET HEX HEAD—M12 x 50 LG	SST 316																			4	4
28	2	SCREW—SET HEX HEAD—M16 x 90 LG	SST 316																				
29	1	SEAL—SQUARE SECTION—14.5 O/D x 8 I/D x 3 THICK	EPDM																		1		1
30	1	SEAL 'U' SECTION BED SUPPORT—Ø303.0	EPDM	1	1	1						1	1	1									
31	1	SUPPORT RING—TUBE STOP, GSG 300	BLACK PROPYLENE	1	1	1																	
32	2	THRUST WASHER	BLACK ACETAL				2	2	2	2											2		
33	4	WASHER—PLAIN—M12	SST 316																			4	
34	2	WASHER—PLAIN—M5	SST 316																				2
35	4	WASHER—SPRING—M12	SST 316																			4	4
36	2	WASHER—SPRING—M16	SST 316				2	2	2													2	2

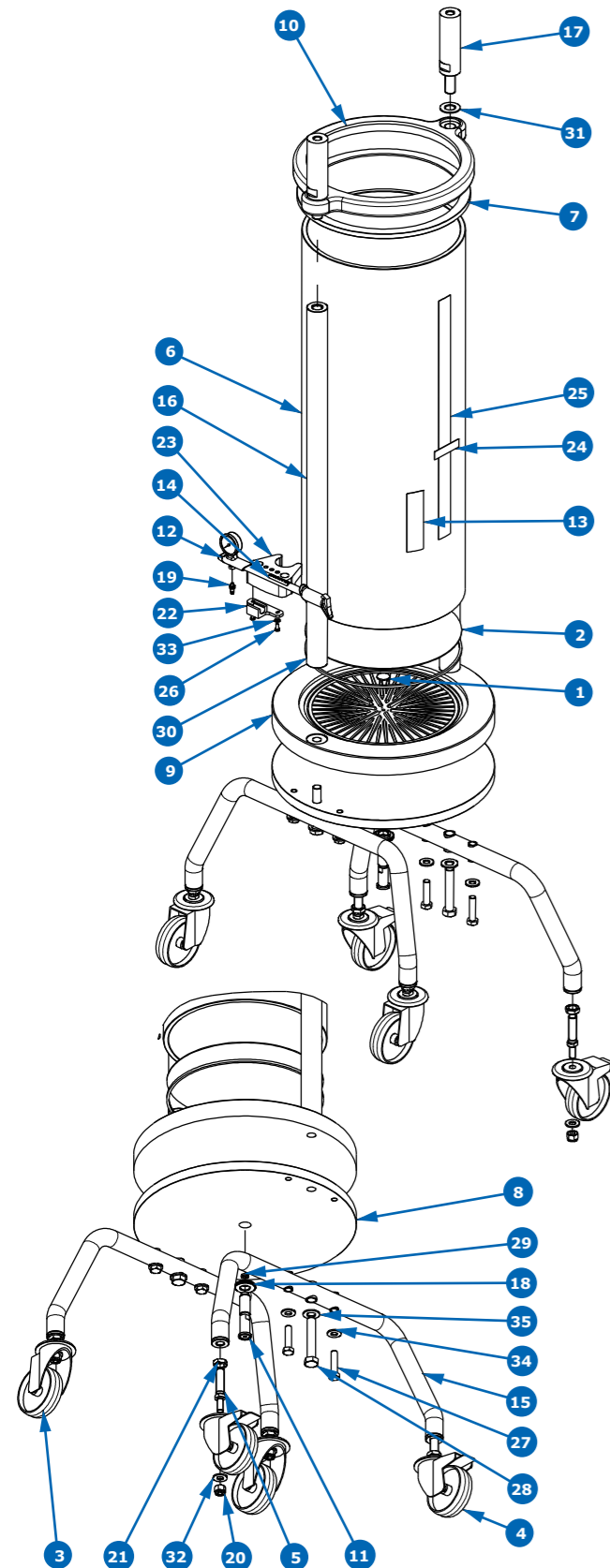
Kits for Bottom QuikScale[®] Column —Diameter 300 GS ACRYLIC

REF GS301511—GS301512—GS301513

NOTE 1		
Adjuster Bed Support		
10 µm	20 µm	30 µm
SPKQS300021	SPKQS300022	SPKQS300023

NOTE 2		
HEIGHT	LOAD PILLAR M24	COLUMN TUBE & SCALE LABEL
300 x 550	SPKQS2025300013	SPKQS300009
300 x 800	SPKQS2025300014	SPKQS300010
300 x 1100	SPKQS2025300015	SPKQS300011

GL105506—PM KIT	Qty
RIBBED SEAL WEDGE TYPE—300	1
SEAL 'U' SECTION BED SUPPORT—303.0 O/D	1
SEAL—SQUARE SECTION—14.5 O/D x 8.0 I/D x 3 mm THICK	2
'O' RING—BS 269 (221.84 I/D x 3.53 SECTION)	1
'O' RING—BS 274 (253.59 I/D x 3.53 SECTION)	1
SEALING BELLOW, FLOW TUBE	1
LOCKNUT M20 x 1.5P	1
THRUST WASHER	2
SEAL BED SUPPORT MOULDED PROFILE, GL300 COLUMNS	1



Critical	X	X	X	X	X	X	X	X	X	X	X	X	X	X	X	X	X	X	X
Other	X	X	X	X	X	X	X	X	X	X	X	X	X	X	X	X	X	X	X

Item	Qty	Description	Material	SPKQS300009	SPKQS300010	SPKQS300011	SPKQS2025300013	SPKQS2025300014	SPKQS2025300015	SPKQS2025300016	SPKQS300021	SPKQS300022	SPKQS300023	SPKQS300025	SPKQS300028	SPKQS300035	SPKQS2025300017	SPKQS2025300019	SPKQS2025300020	SPKQS2025300021	SPKQSXX0003	SPKQSXX0004
1	1	ANTI-JET DISC, GL200-300 COLUMNS	BLACK POLYPROPYLENE																			
2	1	BED SUPPORT D x 7 x 1.7 THK	POROSTAR—DIN 1.4539								1	1	1									
3	2	CASTOR—SWIVEL—100—SINGLE BOLTHOLE	SEE SPEC																			
4	2	CASTOR—SWIVEL—BRAKED—100—SINGLE BOLTHOLE	SEE SPEC																			
5	4	CASTOR STUD THREADED M12 x M16 MALE, GL350/450 COLUMNS	SST 316L																			
6	1	COLUMN TUBE ACRYLIC—P300	ACRYLIC	1	1	1																
7	1	COLUMN TUBE PROTECTOR (GSP & GAP 300) NATURAL	POLYPROPYLENE											1								
8	1	FIXED CELL BACKING PLATE Ø430 x 20 mm, GL200-300 COLUMNS	SST 316L																		1	
9	1	FIXED CELL GS300 COLUMN	POLYPROPYLENE											1								
10	1	FLANGE TOP COLUMN TUBE, GL300 COLUMN	SST 316L FORGED														1					
11	1	FLOW TUBE ADAPTOR 1/4"	SST 316L															1				
12	1	HIGH PRESSURE PUMP, HAND OPERATED, 300 PSI	VARIOUS																			1
13	1	LABEL LOGO QUICKSCALE [®]	See Drawing	1	1	1																
14	1	LABEL MILLIPORE [®] FOR HAND PUMP	See Drawing																			1
15	2	LEG WELD ASSY—GL350/450 COLUMNS	SST 304																			2
16	2	LOAD PILLAR THREADED M24	SST 316L				2	2	2													
17	2	LOAD PILLAR UPPER THREADED M20 MALE x M16 FEMALE, GL200-300 COLUMNS	SST 316L							2												
18	1	LOCK NUT M20 x 1.5	ACETAL																			1
19	1	MALE STUD PNEUMATIC FITTING, M5 MALE x 4 mm O/D TUBE PUSH-IN	SEE SPEC																			1
20	4	NUT—HEX NYLOC—M12	SST 316																			4
21	4	NUT—HEX THIN—M16	SST 316																			4
22	1	PUMP BRACKET, HIGH PRESSURE	BLACK ACETAL																			1
23	1	PUMP SUPPORT BRACKET	BLACK ACETAL																			1
24	1	RATING PLATE LABEL	See drawing																			
25	1	SCALE LABEL GL300 COLUMN	See Drawing	1	1	1																
26	2	SCREW—PAN-HEAD-SLOTTED—M5 x 12 LG	SST 316																			2
27	4	SCREW—SET HEX HEAD—M12 x 50 LG	SST 316																			4
28	2	SCREW—SET HEX HEAD—M16 x 90 LG	SST 316																			4
29	1	SEAL—SQUARE SECTION—14.5 O/D x 8 I/D x 3 THICK	EPDM																		1	1
30	1	SEAL 'U' SECTION BED SUPPORT—Ø303.0	EPDM	1	1	1					1	1	1									
31	2	THRUST WASHER	BLACK ACETAL				2	2	2	2						2						
32	4	WASHER—PLAIN—M12	SST 316																			4
33	2	WASHER—PLAIN—M5	SST 316																			2
34	4	WASHER—SPRING—M12	SST 316																			4
35	2	WASHER—SPRING—M16	SST 316				2	2	2													2

Kits for Bottom QuikScale® Column —Diameter 300 GS SST

REF GS303511—GS303512—GS303513

NOTE 1

Adjuster Bed Support

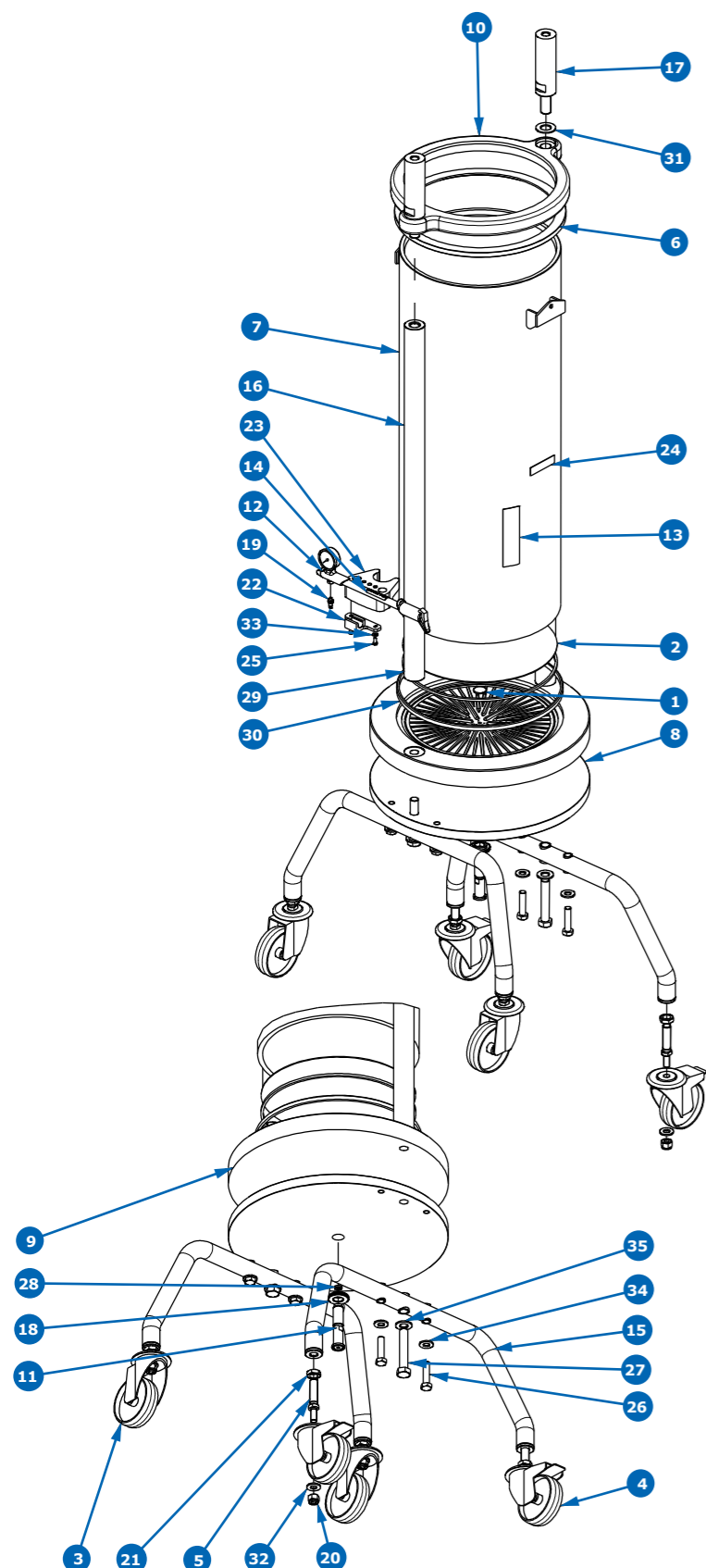
10 µm	20 µm	30 µm
SPKQS300021	SPKQS300022	SPKQS300023

NOTE 2

HEIGHT	LOAD PILLAR M24	COLUMN TUBE & SCALE LABEL
300 x 550	SPKQS2025300013	SPKQS300012
300 x 800	SPKQS2025300014	SPKQS300013
300 x 1100	SPKQS2025300015	SPKQS300014

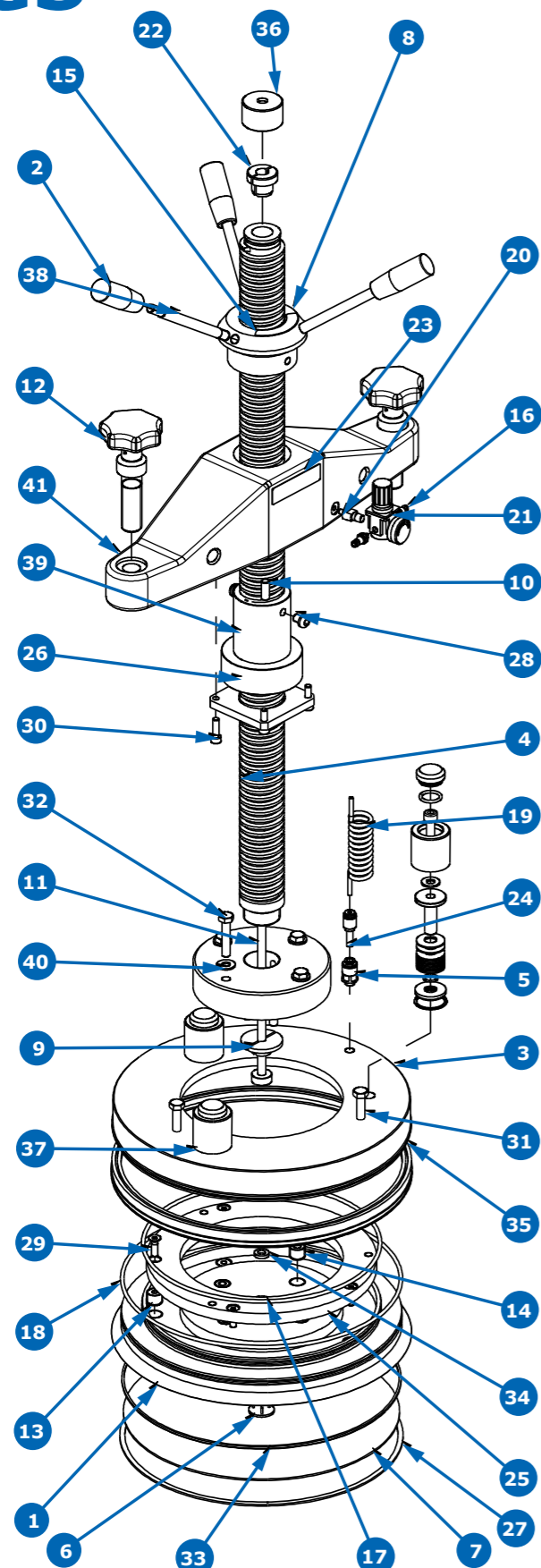
GL105506—PM KIT

	Qty
RIBBED SEAL WEDGE TYPE—300	1
SEAL 'U' SECTION BED SUPPORT—303.0 O/D	1
SEAL—SQUARE SECTION—14.5 O/D x 8.0 I/D x 3 mm THICK	2
'O' RING—BS 269 (221.84 I/D x 3.53 SECTION)	1
'O' RING—BS 274 (253.59 I/D x 3.53 SECTION)	1
SEALING BELLOW, FLOW TUBE	1
LOCKNUT M20 x 1.5P	1
THRUST WASHER	2
SEAL BED SUPPORT MOULDED PROFILE, GL300 COLUMNS	1



Item	Qty	Description	Material	Critical																
				Other	X	X	X	X	X	X	X	X	X	X	X	X	X	X		
1	1	ANTI-JET DISC, GL200-300 COLUMNS	BLACK POLYPROPYLENE																	
2	1	BED SUPPORT D x 7 x 1.7 THK	POROSTAR—DIN 1.4539							1	1	1								
3	2	CASTOR—SWIVEL—100—SINGLE BOLTHOLE	SEE SPEC																2	
4	2	CASTOR—SWIVEL—BRAKED—100—SINGLE BOLTHOLE	SEE SPEC																2	
5	4	CASTOR STUD THREADED M12 x M16 MALE, GL350/450 COLUMNS	SST 316L																4	
6	1	COLUMN TUBE PROTECTOR (GSS & GAS 300)	NATURAL POLYPROPYLENE												1					
7	1	COLUMN TUBE WELD ASSY ST. STL S300 x 750 for drawing only	SST 316L—1.4404	1	1	1														
8	1	FIXED CELL BACKING PLATE Ø430 x 20 mm, GL200-300 COLUMNS	SST 316L																1	
9	1	FIXED CELL GS300 COLUMN	POLYPROPYLENE									1								
10	1	FLANGE TOP COLUMN TUBE, GL300 COLUMN	SST 316L FORGED												1					
11	1	FLOW TUBE ADAPTOR 1/4"	SST 316L															1		
12	1	HIGH PRESSURE PUMP, HAND OPERATED, 300 PSI	VARIOUS																1	
13	1	LABEL LOGO QUICKSCALE®	See Drawing	1	1	1														
14	1	LABEL MILLIPORE® FOR HAND PUMP	See Drawing																	1
15	2	LEG WELD ASSY—GL350/450 COLUMNS	SST 304																2	
16	2	LOAD PILLAR THREADED M24	SST 316L				2	2	2											
17	2	LOAD PILLAR UPPER THREADED M20 MALE x M16 FEMALE, GL200-300 COLUMNS	SST 316L							2										
18	1	LOCK NUT M20 x 1.5	ACETAL																1	
19	1	MALE STUD PNEUMATIC FITTING, M5 MALE x 4 mm O/D TUBE PUSH-IN	SEE SPEC																	1
20	4	NUT—HEX NYLOC—M12	SST 316																4	
21	4	NUT—HEX THIN—M16	SST 316																4	
22	1	PUMP BRACKET, HIGH PRESSURE	BLACK ACETAL																	1
23	1	PUMP SUPPORT BRACKET	BLACK ACETAL																1	
24	1	RATING PLATE LABEL	See drawing																	
25	2	SCREW—PAN-HEAD-SLOTTED—M5 x 12 LG	SST 316																	2
26	4	SCREW—SET HEX HEAD—M12 x 50 LG	SST 316																4	4
27	2	SCREW—SET HEX HEAD—M16 x 90 LG	SST 316																	
28	1	SEAL—SQUARE SECTION—14.5 O/D x 8 I/D x 3 THICK	EPDM																1	1
29	1	SEAL 'U' SECTION BED SUPPORT—Ø303.0	EPDM	1	1	1				1	1	1								
30	1	SUPPORT RING—TUBE STOP, GSS 300	BLACK PROPYLENE												1					
31	2	THRUST WASHER	BLACK ACETAL				2	2	2	2					1	2				
32	4	WASHER—PLAIN—M12	SST 316																4	
33	2	WASHER—PLAIN—M5	SST 316																	2
34	4	WASHER—SPRING—M12	SST 316																4	4
35	2	WASHER—SPRING—M16	SST 316				2	2	2										2	2

Kits for Bottom QuikScale[®] Column — Diameter 300 GA/GS



- REF GS303511—GS303512—GS303513
- REF GA303511—GA303512—GA303513
- REF GS301511—GS301512—GS301513
- REF GA301511—GA301512—GA301513
- REF GS302311—GS302312—GS302313
- REF GA302311—GA302312—GA302313

NOTE 1 Adjuster Bed Support		
10 µm	20 µm	30 µm
SPKQS300001	SPKQS300002	SPKQS300003

GL105506—PM KIT	Qty
RIBBED SEAL WEDGE TYPE—300	1
SEAL 'U' SECTION BED SUPPORT—303.0 O/D	1
SEAL—SQUARE SECTION—14.5 O/D x 8.0 I/D x 3 mm THICK	2
'O' RING—BS 269 (221.84 I/D x 3.53 SECTION)	1
'O' RING—BS 274 (253.59 I/D x 3.53 SECTION)	1
SEALING BELLOW, FLOW TUBE	1
LOCKNUT M20 x 1.5P	1
THRUST WASHER	2
SEAL BED SUPPORT MOULDED PROFILE, GL300 COLUMNS	1

Item	Qty	Description	Material	SPKQS300001	SPKQS300002	SPKQS300003	SPKQS300004	SPKQS300005	SPKQS300006	SPKQS300007	SPKQS25300001	SPKQS2025300001	SPKQS300008	SPKQS2025300002	SPKQS2025300003	SPKQS2025300004	SPKQS2025300005	SPKQS2025300006	SPKQS2025300007	SPKQS2025300008	SPKQS2025300009	SPKQSXX0001	SPKQSXX0002
1	1	ADJUSTER CELL—300 COLUMN	BLACK POLYPROPYLENE					1															
2	3	ADJUSTER HANDLE BLACK—M10 FEMALE x 65 mm LONG	SEE SPEC																			3	3
3	1	ADJUSTER SEAL SETTING RING GL300 COLUMN	SST 316L										1										
4	1	ADJUSTER STEM & ADAPTER ASSY								1													
5	1	AIR INLET FITTING—1/8" BSP x 6 mm OD TUBE	BLACK ACETAL																				1
6	1	ANTI-JET DISC, GL200-300 COLUMNS	BLACK POLYPROPYLENE					1															
7	1	BED SUPPORT D x 7 x 1.7 THK	POROSTAR—DIN 1.4539	1	1	1																	
8	1	BOSS HANDWHEEL, STEM ROTATION—GL200/300 COLUMNS	SST 316L																				1
9	1	COLLET SPLIT, FLOW TUBE, GL200/300 COLUMNS	BLACK ACETAL							1				1	1								
10	2	DOWEL PIN—8 x 20 LG	SEE SPEC													2							2
11	1	FLOW TUBE 1/2" SANITARY, 6 mm BORE GL200/300 COLUMNS	SST 316L											1									
12	2	HAND KNOB ASSY THREADED M16 MALE	SEE PARTS LIST															2	2				
13	5	INSERT THREAD—M16 x M6 x 12LG	SST 316L					5															
14	4	INSERT THREAD—M16 x M8 x 12LG	SST 316L					4															
15	1	LABEL "RAISE/LOWER"	See Drawing																				1
16	2	MALE STUD PNEUMATIC FITTING, M5 MALE x 4 mm O/D TUBE PUSH-IN	SEE SPEC																				2
17	1	O' RING—BS269 (171.04 I/D x 3.53 SECTION)	EPDM					1	1					1									
18	1	O' RING—BS274 (253.59 I/D x 3.53 SECTION)	EPDM					1	1					1									
19	1	POLYURETHANE COIL TUBING—4 mm DIA	POLYURETHANE																				1
20	1	PRESSURE REGULATOR MOUNT 1/16" NPT x M5	SST 316L																				1
21	1	PRESSURE REGULATOR, THREADED M5 x 1/16"	SEE SPEC																				1
22	1	QUIKSCALE FLOW TUBE UPPER SPLIT COLLET, GL200-300 COLUMNS	BLACK ACETAL								1			1	1								
23	1	RATING PLATE LABEL	See drawing																	1			
24	1	REDUCER PNEUMATIC FITTING, 6 mm O/D STEM x 4 mm O/D TUBE	BLACK ACETAL																				1
25	1	REINFORCEMENT RING, GL300 ADJUSTER CELL	SST 316L						1														
26	1	RETAINER PLATE, ADJUSTERT THRUST RING. GL200-300 COLUMNS	SST 316L													1							
27	1	RETAINING RING—ADJUSTER CELL BED SUPPORT—GL300	BLACK POLYPROPYLENE	1	1	1	1	1															
28	2	SCREW—BUTTON HEAD—M8 x 10 LG	SST 316														2						2
29	5	SCREW—C/SUNK HEAD HEX SOCKET—M6 x 20 LG	SST 316					5															
30	4	SCREW—CAP HEAD—M6 x 20 LG	SST 316																				
31	3	SCREW—SET HEX HEAD—M8 x 35 LG	SST 316																				
32	4	SCREW—SET HEX HEAD—M8 x 40 LG	SST 316							4	4			4	4	4	4						4
33	1	SEAL—ADJUSTER CELL BED SUPPORT—GL300	EDPM E50Q	1	1	1	1	1	1					1									
34	1	SEAL—SQUARE SECTION—14.5 O/D x 8 I/D x 3 THICK	EPDM					1	1					1	1	1	1						1
35	1	SEAL WEDGE TYPE (DOUBLE CHAMFER) ADJUSTER CELL P300 COLUMNS	BLACK EPDM					1	1					1									
36	1	SEALING BELLOW, FLOW TUBE (GL200-300 COLUMNS)	EPDM								1			1	1					1			1
37	3	SPRING CARTRIDGE ASSEMBLY—GL300								3													
38	3	STUD M10x134mm OVERALL LENGTH (14, 100, 20)	SST 316L																				3
39	1	THRUST RING STEM RETAINER 30 x 6 LH THREAD	BLACK ACETAL																		1		
40	7	WASHER—PLAIN—M8	SST 316					4	4		4	4		4	4	4							4
41	1	YOKE, LOAD FRAME, FORGED. GL200/300 COLUMNS	SST 316L FORGED																				1

Technical Assistance

For more information, please visit EMDMillipore.com/Systems-Services
for up-to-date worldwide contact information

