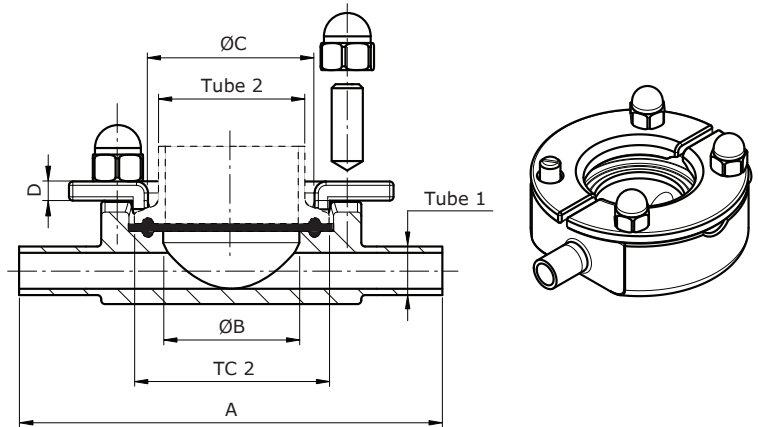


Specification Sheet

NovAseptic® CONNECTOR, IN-LINE, BUTT END ACCORDING TO TUBE STANDARD DIN 11866 TYPE A

Product Description

The NovAseptic® Connector is designed to meet the requirement of aseptic design. The product is adapted to be used as a connection for pipes, instruments etc.



Catalogue Number Structure

ANS5	/	290	x	260	-	3	1	1
Connector Model		Size Tube 1 Outer Dimension		Size Tube 1 Inner Dimension		Material Code 3 = EN 1.4435 (316L)	Surface Finish 1 = Manually Polished	Tube Connection 1 = Butt end

Nominal Dimensions in mm (in.)

Catalogue Number	Tube 1*	Tube 2**	TC 2	A	B	C	D	Acorn Nut Size	Stud Size
ANS5/290x260-311	29.0 x 1.5 (1.142 x 0.060)	38.0 x 1.2 (1.496 x 0.047)	50.5	110.0 (4.331)	35.6 (1.402)	43.8 (1.724)	5.0 (0.197)	M8	M8x20

* Note: ASTM® (outer diameter x wall thickness)

** Note: SMS 3008 (outer diameter x wall thickness)

Specifications

Net Weight (approximate)	
Connector Body	ANS5/290x260-311
Weight kg (lb)	1.6 (3.53)

Material				
	Connector body		Tubing	
	Stainless Steel in Compliance with		Stainless Steel in Compliance with	
Material Code	316L	EN 1.4435	TP316L	EN 1.4435
Technical Requirements	ASME® SA-479	EN 10272	ASTM® SA 249	EN 10217-1/EN 10216-5
	Locking Ring		Bolt and nut	
	Stainless Steel in Compliance with		Stainless Steel in Compliance with	
Material Code	316L	EN 1.4404	EN1.4401/ EN 1.4301	
Technical Requirements	ASME® SA-479	EN 10272	EN 10269	

Specifications	
Surface Roughness	Internal surface (manually polished) $Ra \leq 0.38 \mu m$ (15 μin)
Environment Temperature*	-80 to 200 °C (-112 to 392 °F)
Design Pressure*	-1 to 7 bar(g) (-14.5 to 101 psi(g))
Labeling	Each NovAseptic® Connector is marked for full LOT traceability and heat No. according to our QA routines.
Packaging	All open ends on the NovAseptic® Connector are protected with plastic covers on delivery. The NovAseptic® Connector is pre-assembled and packaged in a closed box.
Quality Control	Our Quality Assurance System guarantees the control and traceability at all stages of the manufacturing.
Regulatory	The NovAseptic® Connector does comply for Europe with the relevant requirements in Annex I, Essential Safety Requirement of PED Directive 2014/68/EU. For liquid group I and gas group II, it falls in the art 4§3 of the directive. The component has been designed and manufactured in accordance with the sound engineering practice of a Member State in order to ensure safe use.
Options	For non-standard NovAseptic® Connector Options, please contact us for further information.

* Note: The applied gasket (not included) may have different design temperature and/or pressure limits than the NovAseptic® Connector. The weakest component in the assembled product determines the maximum design temperature and pressure limits.

Technical Assistance

For more information, please visit SigmaAldrich.com for up-to-date worldwide contact information

