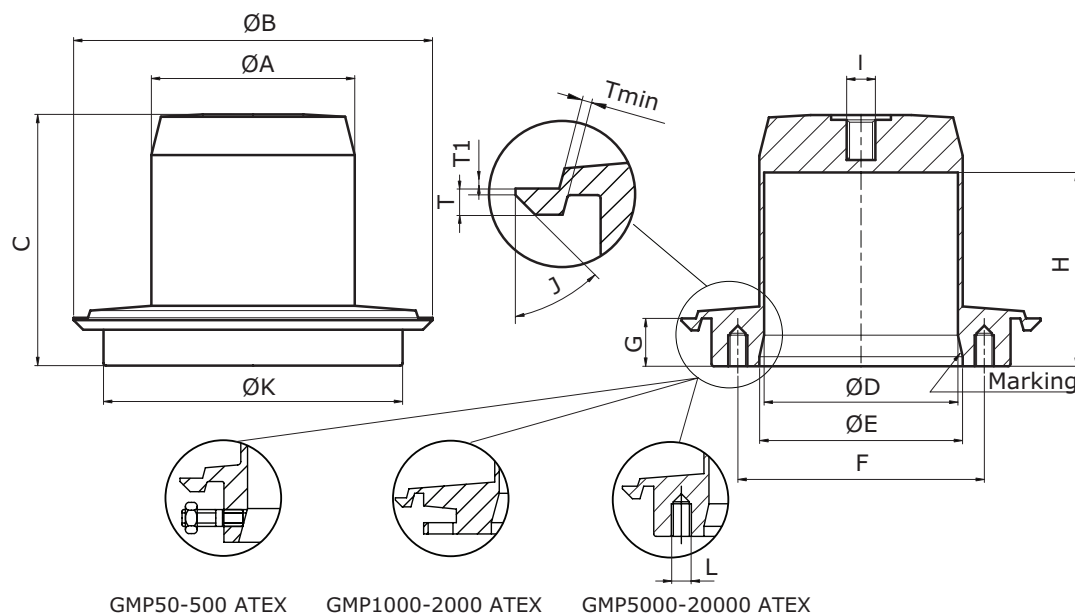


NovAseptic® Mixer Tank Plate, GMP ATEX

Product Description

NovAseptic® mixers offer a complete solution for mixing throughout the process line and are designed for a wide variety of mixing applications in the pharmaceutical and biotechnology industries.



Nominal Dimensions in mm (in.)

| AX###/33* | A | B | C | D | E | F | G | H | I | J | K | L | T | T1 | Tmin | NovAseptic® ATEX GMP Mixer assembly type |
|-----------|---------------|---------------|---------------|---------------|---------------|---------------|--------------|--------------|-----|-----|---------------|-----|-------------|---------------|---------------|---|
| AX05/33 | 32 (1.26) | 72 (2.83) | 56 (2.20) | 81 (3.19) | 38 (1.50) | — | 18 (0.71) | 44 (1.73) | M6 | 45° | 50 (1.97) | — | 3 (0.12) | 1 (0.04) | 2.5 (0.10) | GMP50 ATEX |
| AX1/33 | 54 (2.13) | 90 (3.54) | 58 (2.28) | 50 (1.97) | 56 (2.20) | — | 19 (0.75) | — | M6 | 45° | 64 (2.52) | — | 4 (0.16) | 1 (0.04) | 1.8 (0.07) | GMP100 ATEX |
| AX5/33 | 54 (2.13) | 90 (3.54) | 68 (2.68) | 50 (1.97) | 56 (2.20) | — | 19 (0.75) | 56 (2.20) | M6 | 45° | 64 (2.52) | — | 4 (0.16) | 1 (0.04) | 1.8 (0.07) | GMP500 ATEX |
| AX10/33 | 62 (2.44) | 150 (5.91) | 69 (2.72) | 58 (2.28) | 65 (2.56) | 110 (4.33) | 17 (0.67) | 56 (2.20) | M6 | 45° | 125 (4.92) | — | 4 (0.16) | 1 (0.04) | 2.2 (0.09) | GMP1000 ATEX |
| AX20/33 | 85 (3.35) | 150 (5.91) | 73 (2.87) | 81 (3.19) | 85 (3.35) | 110 (4.33) | 20 (0.79) | 58 (2.28) | M10 | 45° | 125 (4.92) | — | 4 (0.16) | 1 (0.04) | 2.3 (0.09) | GMP2000 ATEX |
| AX50/33 | 104 (4.09) | 160 (6.30) | 73 (2.87) | 100 (3.94) | 104 (4.09) | 116 (4.57) | 13 (0.52) | 54 (2.13) | M12 | 45° | 128 (5.04) | M8 | 6 (0.24) | 1.5 (0.06) | 4.2 (0.17) | GMP5000 ATEX |
| AX100/33 | 85 (3.35) | 150 (5.91) | 105 (4.13) | 81 (3.19) | 85 (3.35) | 105 (4.13) | 20 (0.79) | 81 (3.19) | M12 | 45° | 125 (4.92) | M8 | 5 (0.20) | 1 (0.04) | 2.4 (0.09) | GMP10000 ATEX |
| AX200/33 | 168 (6.61) | 240 (9.45) | 94 (3.70) | 164 (6.46) | 168 (6.61) | 187 (7.36) | 25 (0.98) | 69 (2.72) | M12 | 45° | 207 (8.15) | M10 | 6 (0.24) | 2 (0.08) | 5.4 (0.21) | GMP20000 ATEX |

*Note: NovAseptic® Gauge 1 (G91-###) and NovAseptic® Gauge 2 (G92-###) are not included. These may be purchased separately.

Specifications

| Net Weight (approximate) | | | | | | | | |
|--------------------------|-----------|-----------|-----------|---------|---------|------------|----------|----------|
| Tank Plate | AX05/33 | AX1/33 | AX5/33 | AX10/33 | AX20/33 | AX50/33 | AX100/33 | AX200/33 |
| Weight kg (lb) | 0.5 (1.1) | 0.5 (1.1) | 0.6 (1.3) | 2 (4.4) | 2 (4.4) | 2.5 (5.51) | 3 (6.6) | 8 (18) |

| Welding Diameter | | | | | | | | |
|------------------|----------------|----------------|----------------|-----------------|-----------------|-----------------|-----------------|-----------------|
| Tank Plate | AX05/33 | AX1/33 | AX5/33 | AX10/33 | AX20/33 | AX50/33 | AX100/33 | AX200/33 |
| Diameter mm (in) | Ø72 (Ø2.83) | Ø90 (Ø3.54) | Ø90 (Ø3.54) | Ø150 (Ø5.91) | Ø150 (Ø5.91) | Ø160 (Ø6.30) | Ø150 (Ø5.91) | Ø240 (Ø9.45) |

| Material | | |
|------------------------|------------------------------------|-----------|
| Bar | Stainless steel in compliance with | |
| Material Code | 316L | EN 1.4435 |
| Technical Requirements | ASME® SA-479 | EN 10272 |

| Additional Information | |
|------------------------|---|
| Surface Roughness | Surface Ra ≤ 0.38 µm (15 µin) |
| Surface Treatment | Liquid contact surface, manually polished |
| Design Temperature | -80 to 135°C (-112 to 275°F) |
| Design Pressure | -1 to 10 bar(g) (-14.5 to 145 psi(g)) |
| Note | The assembled NovAseptic® Mixer may have different design temperature and/or pressure limits. The weakest component in the assembled product determines the maximum temperature and pressure limits. |
| Packaging | The tank plate is packaged in a closed box. |
| Quality Control | Our Quality Assurance System guarantees the control and traceability at all stages of the manufacturing. |
| Liquid viscosity | 1 to 800 cP max |
| Requirements | <p>The Tank Plate is designed to meet requirements for USA, ASME VIII Div 2. Stresses in Tank Plate due to internal pressure have been analyzed by FEM.</p> <p>The NovAseptic Tank plate is not in the scope of the PED directive 2014/68/UE. However they have been designed and evaluated for assembly by welding at a bottom of a vessel with a max allowable pressure of 10 bar and a max allowable temperature of 200°C.</p> |

The tank plate must be used with the appropriate ATEX GMP drive unit, male bearing and mixing head.

Technical Assistance

For more information, please visit SigmaAldrich.com for up-to-date worldwide contact information

