

Product Information

Sigma Whole Human Genome Lentiviral CRISPR Pool

Product Number **HWGCRISPR**

Gecko2 Human Whole Genome CRISPR Pool, gRNA Only Lenti Particles (Gecko2 vector)

Product Number **HGECKO2G**

Human Kinase Lentiviral CRISPR Pool

Product Number: **HKCRISPR**

Storage Temperature -70 °C

Pooled CRISPR Technical Bulletin

General Product Description

CRISPR technology has revolutionized genome editing by radically simplifying re-targeting methods for DNA binding proteins. Since CRISPR systems can be programmed using minimal genetic information (19-20 bp), they are compatible with high throughput cloning methods and have been rapidly adapted to drug screening workflows (Shalem et al., 2014; Wang et al., 2014; Koike-Yusa et al., 2014).

Sigma® has strong core scientific and production capabilities in both genome editing (Geurts et al., 2009; Chen et al., 2011; Ji et al., 2014; Sampson et al., 2015) and genetic screening using lentiviral shRNA libraries (Ji et al., 2007; Duan et al., 2010; Guin et al., 2014; Whitworth et al., 2012). These core capabilities have been combined to create new reagents, services, and expertise to support CRISPR-based genetic screening.

In contrast to arrayed gRNA libraries containing separate, individual clones in plates, pooled gRNA libraries contain thousands of individual gRNAs in a single tube. Positive control gRNAs are included within the pool enabling options for practice screens based on 6-TG (or other) drug treatment. Non-targeting (i.e. negative) control gRNAs are included within each pool as a baseline in the statistical characterization of changes in gRNA frequency as measured by deep sequencing. Negative control gRNA share minimal homology with the target genome and should not undergo significant changes in representation throughout cell treatments. Together, these controls create many options for upfront experimental design and downstream data analysis via MAGeCK, RSA, RIGER, KS-statistics, edgeR, or other methods for qualifying “hits” relevant to drug-gene interactions.

Sigma’s pooled-gRNA design process takes into account several general considerations, including: (1) minimization of off-targeting, (2) broad distribution of unique gRNA sequences across various exons to ensure a deep survey of gene knockout possibilities, (3) careful gRNA design efforts to include small or unrepresented genes to maximize gene coverage.

Summary of Pooled LentiCRISPR Products

LentiCRISPR Pool	Species	Target Class	total # of gRNAs	gRNA design by	Vector design by	Cas9 ?	FP ?	Puro ?
HWGCRISPR-1EA	Human	Whole Genome	176,066	Sigma	GeCKOv2	No	No	Yes
HGECKO2G-1EA	Human	Whole Genome	123,411	Broad/MIT	GeCKOv2	No	No	Yes
HKCRISPR-1EA	Human	Kinases	6,012	Sigma	Sigma	Yes	GFP	Yes

Physical Material**Product Number: HWGCRISPR**

The **Sigma Whole Human Genome Lentiviral CRISPR Pool** contains the following components:

- eight lentiviral pools provided as 200 uL (divided into 8 x 25 uL aliquots) of CRISPR lentivirus per pool, targeting all known human protein-coding genes
- each of the 8 pools targets approximately 2,300 genes, with an average of 9.5 gRNAs per gene contained in each pool, leading to around 22,000 gRNA designs per pool
- positive and negative (non-targeting) controls included in each pool
- employs the GeCKOv2 lentiguide-puro gRNA-only vector

Reagents not provided, but recommended:

Cas9 Delivery (Plasmid and Lentiviral Formats)

Product Number:Description

CAS9BST-1EA: A lentiviral plasmid expressing Cas9 along with a blasticidin resistance gene

LVCAS9BST-1EA: Lentiviral particles expressing Cas9 along with a blasticidin resistance gene

CAS9NEO-1EA: A lentiviral plasmid expressing Cas9 along with a neomycin resistance gene

LVCAS9NEO-1EA: Lentiviral particles expressing Cas9 along with a neomycin resistance gene

Companion product: High-titer Control Human HPRT1 CRISPR Lentivirus (Product No: CRISPR16H-1EA)

contains the following components:

- 8 x 25 uL aliquots of high titer CRISPR lentivirus targeting the human HPRT1 locus with p24 titer $\geq 5 \times 10^8$ particles/mL
- uses the same GeCKOv2 gRNA-only vector as the Sigma Human Whole Genome Lentiviral CRISPR Pooled Library

This control CRISPR lentivirus targets human HPRT1 gene at sequence: 5'-TTATATCCAACACTTCGTGGGG-3', where underlined GGG is PAM sequence. The use of the following PCR primers yields a 372 bp primary PCR product which is then cleaved into 128 bp and a 244 bp fragments in the SURVEYOR Mutation Assay (CEL-1 assay):

Forward primer: 5'-CTCAGCACGGATGAAATGAAAC-3'

Reverse primer: 5'-GTCAAGGGCATATCCTACAACA-3'

Product Number: HGECKO2G

The **Gecko2 Human Whole Genome CRISPR Pool, gRNA Only Lenti Particles (Gecko2 vector)** contains the following components:

- Originally designed and assembled by Sanjana et al. "Improved vectors and genome-wide libraries for CRISPR screening." Nature Methods 11.8 (2014): 783-784.
- two lentiviral CRISPR pools (A + B) provided as 200 ul (divided into 8 x 25 ul aliquots) of CRISPR lentivirus per pool, targeting a total of 19,052 human protein-coding genes in both pools and 1,864 miRNA genes in pool A only (4 gRNA designs per miRNA gene)
- each of the 2 pools contains 3 gRNAs per protein-coding gene (6 gRNA-per-gene coverage is obtained when combining pools A + B), with 65,386 gRNA designs in pool A and 58,031 gRNA designs in pool B
- positive and negative (non-targeting) controls included in each pool
- employs the GeCKOv2 lentiguide-puro gRNA-only vector

Reagents not provided, but recommended:

Cas9 Delivery (Plasmid and Lentiviral Formats)

Product Number:Description

CAS9BST-1EA: A lentiviral plasmid expressing Cas9 along with a blasticidin resistance gene

LVCAS9BST-1EA: Lentiviral particles expressing Cas9 along with a blasticidin resistance gene

CAS9NEO-1EA: A lentiviral plasmid expressing Cas9 along with a neomycin resistance gene

LVCAS9NEO-1EA: Lentiviral particles expressing Cas9 along with a neomycinresistance gene

High-titer Control Human HPRT1 CRISPR Lentivirus (Product No: CRISPR16H-1EA) contains the following components:

- 8 x 25 uL aliquots of high titer CRISPR lentivirus targeting the human HPRT1 locus with p24 titer $\geq 5 \times 10^8$ particles/mL
- uses the same GeCKOv2 gRNA-only vector as the GeCKOv2 Human Whole Genome Lentiviral CRISPR Pooled Library

This control CRISPR lentivirus targets human HPRT1 gene at sequence: 5'-TTATATCCAACACTTCGTGGGG-3', where underlined GGG is PAM sequence. The use of the following PCR primers yields a 372 bp primary PCR product which is then cleaved into 128 bp and a 244 bp fragments in the SURVEYOR Mutation Assay (CEL-1 assay):

Forward primer: 5'-CTCAGCACGGATGAAATGAAAC-3'

Reverse primer: 5'-GTCAAGGGCATATCCTACAACA-3'

Product Number: HKCRISPR-1EA

The Human Kinase Lentiviral CRISPR Pool contains the following components:

- a single pool provided as 200 uL (divided into 8 x 25 uL aliquots) of CRISPR lentivirus targeting the entire human kinome with a minimum viral titer of $\geq 5 \times 10^8$ particles/mL measured by p24
- employs Sigma's all-in-one lentiviral CRISPR vector expressing the gRNA, along with Cas9, puromycin resistance, and tGFP

Reagents not provided, but recommended:

Cas9 Delivery (Plasmid and Lentiviral Formats)

Product Number:Description

CAS9BST-1EA: A lentiviral plasmid expressing Cas9 along with a blasticidin resistance gene

LVCAS9BST-1EA: Lentiviral particles expressing Cas9 along with a blasticidin resistance gene

CAS9NEO-1EA: A lentiviral plasmid expressing Cas9 along with a neomycin resistance gene

LVCAS9NEO-1EA: Lentiviral particles expressing Cas9 along with a neomycinresistance gene

Companion Product: High-titer Control Human HPRT1 CRISPR Lentivirus (Product No: CRISPR13H-1EA)

contains the following components:

- 8 x 25 uL aliquots of high titer CRISPR lentivirus targeting the human HPRT1 locus with p24 titer $\geq 5 \times 10^8$ particles/mL
- uses the same all-in-one vector as the CRISPR kinase pool

This control CRISPR lentivirus targets human HPRT1 gene at sequence: 5'-TTATATCCAACACTTCGTGGGG-3', where underlined GGG is PAM sequence. The use of the following PCR primers yields a 372 bp primary PCR product which is then cleaved into 128 bp and a 244 bp fragments in the SURVEYOR Mutation Assay (CEL-1 assay):

Forward primer: 5'-CTCAGCACGGATGAAATGAAAC-3'

Reverse primer: 5'-GTCAAGGGCATATCCTACAACA-3'

Precautions and Disclaimer

This product is for R&D use only, not for drug, household, or other uses. Please consult the Material Safety Data Sheet for information regarding hazards and safe handling practices. Though the lentiviral transduction particles produced are replication incompetent, it is recommended that they be treated as **Risk Group Level 2 (RGL-2)** organisms in laboratory handling. Follow all published RGL-2 guidelines for laboratory handling and waste decontamination.

Biosafety Features

The lack of generation of replication competent viral particles is an important safety feature of CRISPR Lentiviral Particles. Users should consult and observe their own institutional guidelines when working with viral systems.

Storage and Stability

After receiving immediately store the product at -70°C. Avoid freeze/thaw cycles, as this will severely reduce transduction efficiency.

Determination of puromycin sensitivity (kill curve)

NOTE: Prior to performing any large scale CRISPR library screen, two preliminary experiments are **strongly recommended**:

1. Determine the sensitivity of target cell type to puromycin (kill curve), and...
2. Determine CFU/ml (colony formation units per ml) for your target cell type using a control lentivirus sample similar in nature to the pooled library. This allows calculation of MOI (multiplicity of infection) to be based on the functional titer of the virus (derived from the CFU/ml assay) which is a more accurate reflection of experimental infection rates. It is highly recommended that your control lentivirus be in the same vector as the pooled library.

Overview of Puromycin-based CFU Determination

Preparatory Work (~ 2 weeks)

- Puromycin titration (kill curve).
- CFU determination for target cell type.
- Experimental planning using CFU data for target cell type (MOI calculation, media volumes, etc.)

Experimental Work (~2-4 weeks depending on cell growth rates)

- Transduction of cell populations with pooled CRISPR libraries.
- Cell treatment and growth.
- Sample prep and deep sequencing.
- Data analysis.

Detailed Protocols: puro-based CFU determination

Note: The appropriate concentration of puromycin for each cell type varies. If the killing concentration for the desired cell type is unknown, a titration experiment, or kill curve, must be performed. Typically, 2-10 µg/ml are sufficient to kill most untransduced mammalian cell types.

Puromycin Titration:**Materials required**

- Target cells in culture
- Puromycin (10 mg/ml solution), (Sigma-Aldrich, Product No. P9620)
- Complete growth media specific for the target cells
- Hank's Balanced Salt Solution, (Sigma-Aldrich, Product No. H6648)
- 1x Trypsin-EDTA solution, (Sigma-Aldrich, Product No. T3924)

Puromycin titration (kill curve) should be performed when working with a new target cell type.

1. Plate 2×10^4 cells per well in one 24-well plate with 0.5mL fresh medium.
2. The next day add 0.5–10 µg/ml of puromycin to selected wells.
3. Examine viability every 2 days.
4. Culture for 3 – 7 days depending on the growth rate of the cell type and the length of time that cells would typically be under selection during a normal experimental protocol. Replace the media containing puromycin every 2 - 3 days. The minimum concentration of puromycin that causes complete cell death after 4 days of treatment should be used for that cell type and experiment.

Note: Excess puromycin can cause many undesired phenotypic responses in many cell types.

Determination of infection rates (CFU/ml) for your target cell type

Note: Users are advised to determine the CFU-based titer for different target cell types prior to a library-scale screening. It is recommended to use cells at low passage number for transduction experiments.

Materials Required

- Target cells in culture
- Hexadimethrine bromide (Polybrene, 2 mg/mL stock); (Sigma-Aldrich, Product No. H9268)
- Puromycin (10 mg/mL stock); (Sigma-Aldrich, Product No. P9620)
- Crystal Violet Solution; (Sigma-Aldrich, Product No. HT90132)
- Dulbecco's Phosphate Buffered Saline; (Sigma-Aldrich, Product No. D8662)
- Recommended: Control High-titer HPRT1 LentiCRISPR virus (Product No: CRISPR13H-1EA or CRISPR16H-1EA). Use of this less expensive viral material will conserve pooled-CRISPR virus for subsequent experiments.

Day 1 Seeding cells

Seed 10^5 cells per well in fresh medium on three 6-well plates. Place the plates in an incubator set to 37°C, 5% CO₂ and incubate for 24 hours.

Day 2 Transduction

1. Thaw one vial of lentiviral particles (25µL) on ice. Mix by gently tapping the tube several times. Keep them stored on ice when not in use. **Note:** Lentiviruses are quite labile. Multiple freeze-thaw cycles and prolonged exposure to ambient temperatures will decrease the lentiviral titer.
2. Prepare 25 mL of media containing polybrene (final concentration 8 µg/mL).
3. Prepare 2.5 mL 10-fold serial dilutions over a range of 10^{-2} to 10^{-9} in 15 mL conical vials with virus. Mix gently by inverting the tubes 3 to 4 times.
 - a. Mix 25 µL lentivirus with 2,475µL polybrene containing media to achieve 10^{-2} dilution.
 - b. Mix 250 µL of the 10^{-2} dilution with 2,250 µL polybrene containing media to achieve 10^{-3} dilution.
 - c. Mix 250 µL of the 10^{-3} dilution with 2,250 µL polybrene containing media to achieve 10^{-4} dilution.
 - d. Mix 250 µL of the 10^{-4} dilution with 2,250 µL polybrene containing media to achieve 10^{-5} dilution.
 - e. Mix 250 µL of the 10^{-5} dilution with 2,250 µL polybrene containing media to achieve 10^{-6} dilution.
 - f. Mix 250 µL of the 10^{-5} dilution with 2,250 µL polybrene containing media to achieve 10^{-7} dilution.
 - g. Mix 250 µL of the 10^{-7} dilution with 2,250 µL polybrene containing media to achieve 10^{-8} dilution.
 - h. Mix 250 µL of the 10^{-8} dilution with 2,250 µL polybrene containing media to achieve 10^{-9} dilution.
4. Remove medium from all wells of three 6-well plates. Add 1.0 mL of polybrene containing complete growth medium to two wells on one 6-well plate as negative controls. Add 1.0 mL of each of the lentivirus dilutions to the remaining wells of three plates. Duplicate the transduction for each lentiviral dilution.
5. Place plates in an incubator set to 37°C, 5% CO₂ for 24 hours

Day 3 Medium change

Remove the medium containing the lentiviral particles from wells. Add 2.0 mL fresh media (without polybrene) to each well. Place plates in an incubator set to 37°C, 5% CO₂ for 24 hours

Day 4 Puromycin selection

Remove the medium from wells. Feed cells with fresh medium containing puromycin.

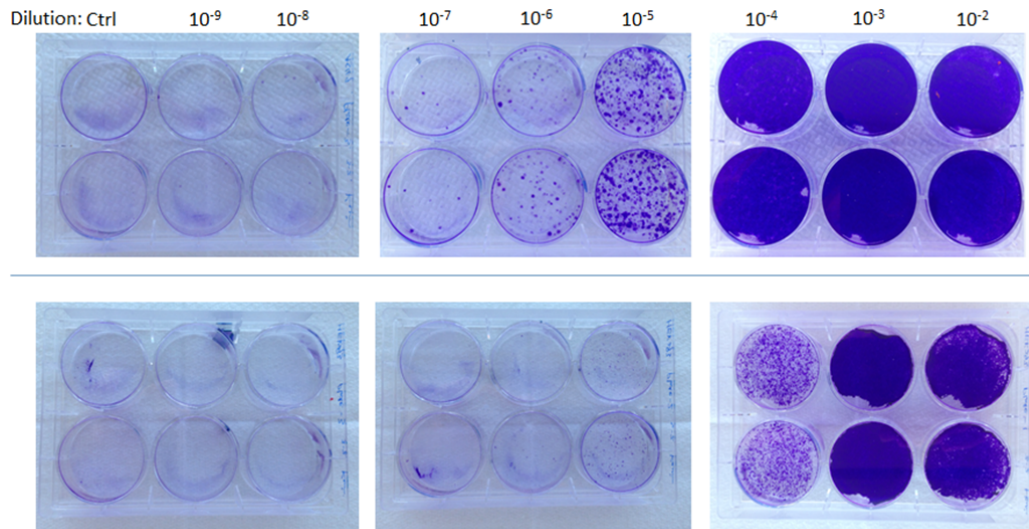
Day 5-8 Continued puromycin selection

Replace medium containing puromycin as necessary during the selection process (usually every 2 to 3 days).

Day 9 Stain and count colonies

Note: The untransduced control cells should die completely after 4-day selection with puromycin.

1. Remove medium and gently wash each well with 3.0 ml/well PBS. Add 1.0 mL of crystal violet solution per well and incubate 10 minutes at room temperature. Remove crystal violet solution. Wash twice with 3 mL Dulbecco's PBS per wash.
2. Invert plates on paper towels and let dry about 1 hour.
3. Count the blue-stained colonies (Figure 1) using a microscope at a magnification of 40X. Only count wells that contain between 10-300 colonies. Any more or less then the counts are not significant.
4. Calculate by multiplying the number of colonies per well by the dilution factor. The lentiviral titer is defined here as Colony Formation Units per milliliter (CFU/mL).



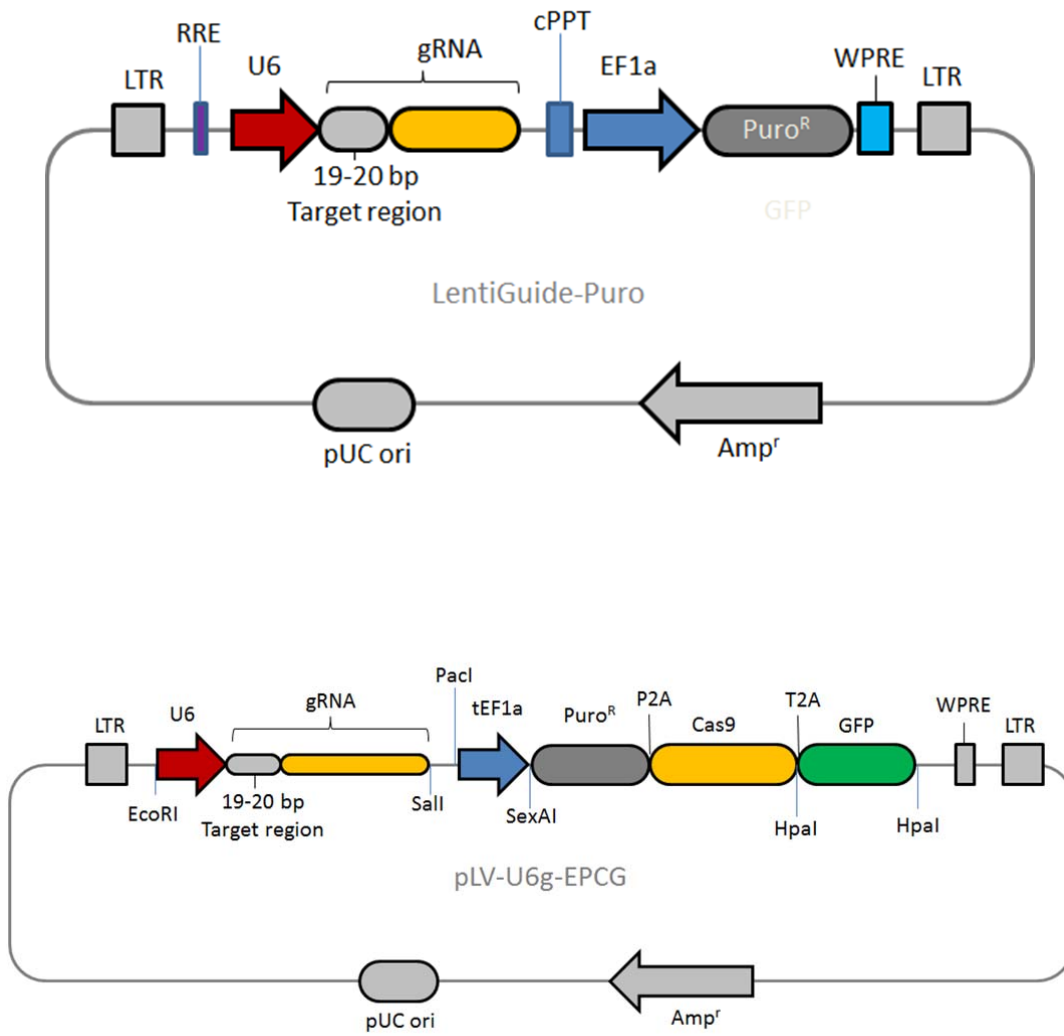
** Upper row: A549 cells; Lower row: HEK293 cells

CFU count data	Plate Replicate	Dilution Factor	# colonies	Titer	Average	Stdev			
1	1	1.00E+02	DNC	DNC	1.50E+08	5.59E+07			
		1.00E+03	DNC	DNC					
		1.00E+04	DNC	DNC					
		1.00E+05	DNC	DNC					
		1.00E+06	189	1.89E+08					
		1.00E+07	11	1.10E+08					
		1.00E+08	DNC	DNC					
		1.00E+09	DNC	DNC					
	2	1	1.00E+02	DNC			DNC	1.84E+08	4.95E+06
			1.00E+03	DNC			DNC		
		1.00E+04	DNC	DNC					
		1.00E+05	DNC	DNC					
		1.00E+06	187	1.87E+08					
		1.00E+07	18	1.80E+08					
		1.00E+08	DNC	DNC					
		1.00E+09	DNC	DNC					
plates 1 and 2 combined					1.67E+08	3.786E+07			

Note: If there are too many or too few colonies to count in a given well, record DNC in the # colonies field.

Figure 1. Example data for colony staining and counting to determine lentiviral CFU/ml based on puromycin resistance.

Vector Maps



Troubleshooting Guide

Problem	Cause	Solution
Low transduction efficiency	Cell density was not optimized: too low or too high	To determine optimal density and transduction efficiency of tested cells, first use Control High-titer HPRT1 LentiCRISPR virus, Product No: CRISPR13H-1EA or CRISPR16H-1EA. When adding cells to the wells make sure they are mixed well. Keep mixing them periodically to insure the same amount of cells for each well.
	Cell conditions were not optimal	Use low passage number cells and make sure that cells are 90% viable upon transduction.
	Cells are sensitive to polybrene	Test cells for sensitivity by including control cells incubated with media containing polybrene (8 µg/ml). If cells are sensitive to polybrene omit the addition of this reagent. Cells can still be transduced but with lower efficiency.
	Polybrene was not included during transduction	Transduce in the presence of polybrene when possible since it enhances the transduction efficiency of most cell types.
	Puromycin concentration is not optimal for cell selection	For each new cell type used, it is recommended that a puromycin kill curve be performed to determine the lowest concentration of puromycin needed to efficiently select transduced cells.

References

- Chen et al. "High-frequency genome editing using ssDNA oligonucleotides with zinc-finger nucleases." *Nature methods* 8.9 (2011): 753-755.
- Duan, Z., et al. "Lentiviral shRNA screen of human kinases identifies PLK1 as a potential therapeutic target for osteosarcoma." *Cancer letters* 293.2 (2010): 220-229.
- Geurtset al. "Knockout rats via embryo microinjection of zinc-finger nucleases." *Science* 325.5939 (2009): 433-433.
- Guin et al. "role in tumor Growth of a Glycogen Debranching enzyme lost in Glycogen Storage Disease." *Journal of the National Cancer Institute* 106.5 (2014): dju062.
- Ji, D. et al., "A screen of shRNAs targeting tumor suppressor genes to identify factors involved in A549 paclitaxel sensitivity." *Oncology Reports* 18.6 (2007): 1499-1505.
- Ji, Qingzhou, et al. "Engineered zinc-finger transcription factors activate OCT4 (POU5F1), SOX2, KLF4, c-MYC (MYC) and miR302/367." *Nucleic acids research* 42.10 (2014): 6158-6167.
- Koike-Yusa H., et al., Genome-wide recessive genetic screening in mammalian cells with a lentiviral CRISPR-guide RNA Library. *Nat Biotechnol.* 2014; 32(3): 267-73.
- Sanjana et al. "Improved vectors and genome-wide libraries for CRISPR screening." *Nature Methods* 11.8 (2014): 783-784.
- Sampson, Kathleen E., et al. "Zinc Finger Nuclease-Mediated Gene Knockout Results in Loss of Transport Activity for P-Glycoprotein, BCRP, and MRP2 in Caco-2 Cells." *Drug Metabolism and Disposition* 43.2 (2015): 199-207.
- Shalem O., et al., Genome-Scale CRISPR-Cas9 Knockout Screening in Human Cells. *Science* 2014; 343(6166):84-7.
- Wang T., et al., Genetic Screens in Human Cells Using the CRISPR-Cas9 System. *Science* 2014; 343(6166):80-84.
- Whitworth, Hilary, et al. "Identification of kinases regulating prostate cancer cell growth using an RNAi phenotypic screen." *PLoS one* 7.6 (2012): e38950.

US Patents Pending

CRISPR Label License

This Product and its use are the subject of one or more of the following patents controlled by The Broad Institute, Inc. (BROAD), the Massachusetts Institute of Technology (MIT), or the President and Fellows of Harvard College (HARVARD): U.S. Patent Nos. 8,697,357; 8,771,945, and any substitutions, divisions, continuations, reissues, renewals, re-examinations or extensions, and corresponding foreign patent applications and patents.

Before opening or using this product, please read the terms and conditions set forth in this license agreement. Your use of this product shall constitute acknowledgment and acceptance of these terms and conditions. If you do not agree to use this Product pursuant to the terms and conditions set out in this License Agreement, please contact Sigma Technical Services within ten days of receipt to return the unused and unopened Product for a full refund; provided, however, that custom-made Products may not be returned for a refund.

The purchase of this Product conveys to you, the buyer, the non-transferable right to use the purchased Product for Licensed Research Use (see definition below) subject to the conditions set out in this License Agreement. If you wish to use this Product for any purpose other than Licensed Research Use, you must first obtain an appropriate license (see information set out below).

This Product may not be used for any purpose other than Licensed Research Use. Your right to use this Product for Licensed Research Use is subject to the following conditions and restrictions:

1. "Licensed Research Use" means any use for research purposes, with the following exceptions: (i) you may not sell or otherwise transfer Licensed Products (including without limitation any material that contains a Licensed Product in whole or part) or any Related Material to any other person or entity, or use Licensed Products or any Related Material to perform services for the benefit of any other person or entity, (ii) You may use only the purchased amount of the Licensed Products and components of the Licensed Products, and shall use any Related Material, only for your internal research as a research tool for research purposes; provided, however, that notwithstanding the foregoing, you shall not use the Licensed Products for: (a) any clinical use, including, without limitation, diagnostic and prognostic use, (b) any human, veterinary, livestock or commercial agricultural use, (iii) modification or reverse-engineering of the Product in any way or creating any derivatives or sequence variants thereof, or (iv) the manufacture, distribution, importation, exportation, transportation, sale, offer for sale, marketing, promotion or other exploitation or use of, or as, a testing service, therapeutic or diagnostic for humans or animals, and not for any Commercial Purposes, (v) you shall use Licensed Products and any Related Material in compliance with all applicable laws and regulations, including without limitation applicable human health and animal welfare laws and regulations.
2. "Commercial Purposes" means (a) the practice, performance or provision of any method, process or service, or (b) the manufacture, sale, use, distribution, disposition or importing of any product, in each case (a) or (b) for consideration, e.g., a fee, or on any other commercial basis.
3. Your right to use the Product will terminate immediately if you fail to comply with these terms and conditions. You shall, upon such termination of your rights, destroy all Product, Modified Animals, and components thereof in your control, and notify Sigma-Aldrich of such in writing.
4. Broad, MIT and Harvard make no representations or warranties of any kind concerning the patent rights and hereby disclaim all representations and warranties, express or implied, including without limitation warranties of merchantability, fitness for a particular purpose, non-infringement of intellectual property rights of Broad, MIT, Harvard or third parties, validity, enforceability and scope of patent rights, validity of any claims, whether issued or pending, and the absence of latent or other defects, whether or not discoverable. In no event shall Broad, MIT, Harvard or their directors, trustees, officers, employees, agents, faculty, affiliated investigators or students, be liable for incidental or consequential damages of any kind, including without limitation economic damages or injury to property and lost profits, regardless of whether Broad, MIT, or Harvard shall be advised, shall have other reason to know, or in fact shall know of the possibility of the foregoing.

Lentiviral Label License

Use of this product for Commercial Purposes requires a license from Sigma-Aldrich® Corporation. The purchase of this product conveys to the buyer the nontransferable right to use the purchased amount of the product and components of the product in research conducted by the buyer (whether the buyer is an academic or for-profit entity). The buyer cannot sell or otherwise transfer (a) this product (b) its components or (c) materials made using this product or its components to a third party, or otherwise use this product or its components or materials made using this product or its components for Commercial Purposes. Commercial Purposes means any activity by a party for consideration, but excludes not-for-profit core facilities providing services within their own research institutions at cost.

This product is licensed under U.S. Pat. Nos. 5,817,491; 5,591,624; 5,716,832; 6,312,682; 6,669,936; 6,235,522; 6,924,123 and foreign equivalents from Oxford BioMedica (UK) Ltd., Oxford, UK, and is provided for use in academic and commercial *in vitro* and *in vivo* research for elucidating gene function, and for validating potential gene products and pathways for drug discovery and development, but excludes any use of LentiVector® technology for: creating transgenic birds for the purpose of producing useful or valuable proteins in the eggs of such transgenic birds, the delivery of gene therapies, and for commercial production of therapeutic, diagnostic or other commercial products not intended for research use where such products do not consist of or incorporate a lentiviral vector. Information about licenses for commercial uses excluded under this license is available from Oxford BioMedica (UK), Ltd., Medawar Center, Oxford Science Park, Oxford OX4 4GA UK enquiries@oxfordbiomedica.co.uk or BioMedica Inc., 11622 El Camino Real #100, San Diego CA 92130-2049 USA. LentiVector is a registered US and European Community trademark of Oxford BioMedica plc.

This product (based upon the lentikat system) is sub-licensed from Invitrogen Corporation under U.S. Patent Nos. 5,686,279, 5,834,256, 5,858,740; 5,994,136; 6,013,516; 6,051,427, 6,165,782, and 6,218,187 and corresponding patents and applications in other countries for internal research purposes only. Use of this technology for gene therapy applications or bioprocessing other than for nonhuman research use requires a license from Cell Genesys, Inc. Please contact Cell Genesys, Inc. at 342 Lakeside Drive, Foster City, California 94404. Use of this technology to make or sell products or offer services for consideration in the research market requires a license from Invitrogen Corporation, 1600 Faraday Ave., Carlsbad, CA 92008.

This product is for non-clinical research use only. It is not to be used for commercial purposes. Use of this product to produce products for sale or for diagnostic, therapeutic or high throughput drug discovery purposes (the screening of more than 10,000 compounds per day) is prohibited. This product is sold under license from Invitrogen Corporation. In order to obtain a license to use this product for these commercial purposes, contact The Regents of the University of California. This product or the use of this product is covered by U.S. Patent No. 5,624,803 owned by The Regents of the University of California..

Any Sigma lentiviral backbone-containing products containing a specific genetic component (WPRES), which is licensed from the Salk Institute for Biological Studies and covered under the following patents:

U.S. Patent No. 6,136,597, U.S. Patent No. 6,284,469, U.S. Patent No. 6,312,912, U.S. Patent No. 6,287,814.

Purchaser Notification:

Licensee has a license to sell the Product containing WPRES, under the terms described below. Any use of WPRES outside of Licensee's Product or the Product's intended use, requires a license as detailed below. Before using the Product containing WPRES, please read the following license agreement. If you do not agree to be bound by its terms, contact Licensee within 10 days for authorization to return the unused Product containing WPRES and to receive a full credit.

Licensee grants you a non-exclusive license to use the enclosed Product containing WPRES in its entirety for its intended research use. The Product containing WPRES is being transferred to you in furtherance of, and reliance on, such license. Any use of WPRES outside of Licensee's Product or the Product's intended use including for Commercial Purposes, requires a license from the Salk Institute for Biological Studies. Commercial Purposes means any activity by a party for consideration, but excludes not-for-profit core facilities providing services within their own research institutions at cost. This license agreement is effective until terminated. You may terminate it at any time by destroying all Products containing WPRES in your control. It will also terminate automatically if you fail to comply with the terms and conditions of the license agreement. You shall, upon termination of the license agreement, destroy all Products containing WPRES in your control, and so notify Licensee in writing. This License shall be governed in its interpretation and enforcement by the laws of the State of California.

Evrogen License Agreement

This Product and its uses are the subject of one or more of the following patents controlled by Evrogen Joint Stock Company: US Patent Nos. 7,417,131; 7,605,230; and 7,888,113 and corresponding foreign patents and applications.

This Product is for research field use only. For information on commercial licensing, contact your local Sigma Sales representative, who will refer you to the proper licensing representative, or in the USA call 800-325-3010 and contact Licensing Department, Evrogen, email: license@evrogen.com.

EVROGEN is a registered trademark of Evrogen, LLC Russian Fed.

Sigma is a registered trademark of Sigma-Aldrich Co. LLC

GD,CH,PHC 05/16-1

©2016 Sigma-Aldrich Co. LLC. All rights reserved. SIGMA-ALDRICH is a trademark of Sigma-Aldrich Co. LLC, registered in the US and other countries. Sigma brand products are sold through Sigma-Aldrich, Inc. Purchaser must determine the suitability of the product(s) for their particular use. Additional terms and conditions may apply. Please see product information on the Sigma-Aldrich website at www.sigmaaldrich.com and/or on the reverse side of the invoice or packing slip.