

1.50149.0001

1.50156.0001

LiChrospher® PAH

Polycyclic aromatic hydrocarbons (PAH) are produced by pyrolysis or incomplete combustion of organic substances. Main sources of PAH are exhaust fumes of private or industrial furnaces, car exhausts and tobacco smoke. The determination of PAH is of great importance, because some PAH are carcinogenic.

For identification of PAH the use of an HPLC column with high selectivity and separation efficiency is of greatest importance. LiChrospher® PAH is a new stationary phase based on a special modified RP-18 silica gel, to achieve high resolved PAH separations.

According to the EPA method 610 (EPA = Environmental Protection Agency) 16 PAH must be separated. In almost all cases benzo(e)pyrene and perylene must be determined in addition to the 16 PAH. Using LiChroCART® 250-4 LiChrospher® PAH, 16 PAH of EPA 610 + benzo(e)pyrene + perylene can be separated by HPLC gradient and determined by UV or fluorescence detection (Figure 1).

LiChrospher® PAH can be used for the determination of 7 PAH in tap water according to the method DIN 38 407, part 8, defined by german regulation (Figure 2).

To protect the analytical column LiChroCART® 250-4 against contamination the use of the guard column LiChroCART® 4-4 is recommended.

LiChroCART® 4-4 cartridges can be mounted conveniently by using the manu-CART® endfittings (1.51486.0001).

Specifications

Column: LiChroCART® 4-4 (1.50148.0001)
LiChroCART® 250-4 (1.50149.0001)

Sorbent: LiChrospher® PAH, spherical RP-18 silica gel with high selectivity for PAH

pH-stability: pH 2–7.5

Column equilibration

LiChroCART® 250-4 LiChrospher® PAH is supplied in acetonitrile/water (75/25) (v/v) and should be stored in the same solvent mixture.

When unpacking your LiChroCART® 250-4 LiChrospher® PAH keep in mind that it may dry out during stocking and shipping period. This does affect neither efficiency nor life time of the column. To get the whole surface activated and to receive reproducible results it is highly recommended to start equilibration procedure with pure organic modifier such as acetonitrile or methanol. After this procedure you should start equilibrating with the mobile phase.

Figure 1 Separation of 18 PAH
(16 PAH according to EPA 610 + Benzo(e)pyrene + Perylene)

Column: LiChroCART® 250-4 LiChrospher® PAH

Flow rate: 1.0 ml/min

Temperature: 20 °C

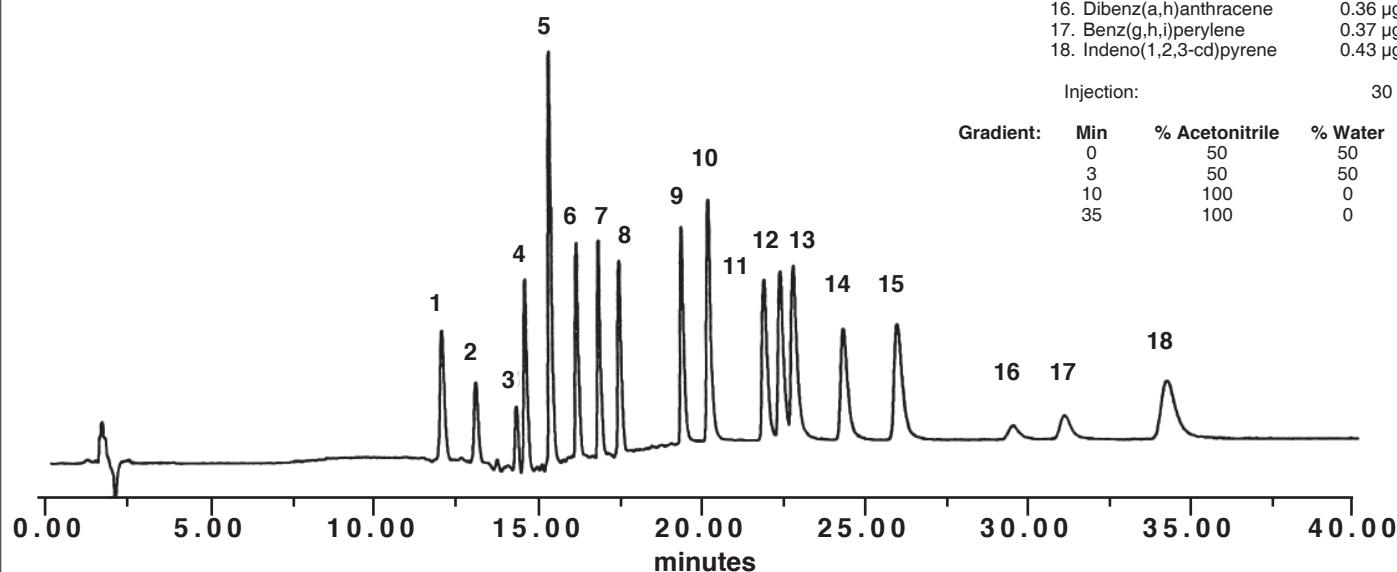
Detection: UV 254 nm

(Detector: LiChroGraph® L-4500)

Sample:		
1.	Naphthalene	2.00 µg/ml
2.	Acenaphthylene	1.54 µg/ml
3.	Acenaphthene	2.06 µg/ml
4.	Fluorene	0.48 µg/ml
5.	Phenanthrene	0.35 µg/ml
6.	Anthracene	0.08 µg/ml
7.	Fluoranthene	0.77 µg/ml
8.	Pyrene	0.85 µg/ml
9.	Benzo(a)anthracene	0.41 µg/ml
10.	Chrysene	0.37 µg/ml
11.	Benzo(e)pyrene	0.74 µg/ml
12.	Benzo(b)fluoranthene	0.42 µg/ml
13.	Perylene	0.72 µg/ml
14.	Benzo(k)fluoranthene	0.47 µg/ml
15.	Benzo(a)pyrene	0.49 µg/ml
16.	Dibenz(a,h)anthracene	0.36 µg/ml
17.	Benzo(g,h,i)perylene	0.37 µg/ml
18.	Indeno(1,2,3-cd)pyrene	0.43 µg/ml

Injection: 30 µl

Gradient:	Min	% Acetonitrile	% Water
	0	50	50
	3	50	50
	10	100	0
	35	100	0



Detection: Fluorescence

(Detector: LiChroGraph® F-1080)

Program:

Peak No.	Extinction nm	Emission nm
1	280	330
3		
4		
5		
6	246	307
7	250	406
8	280	450
9	270	390
10	265	380
11	290	430
12		
13		
14		
15		
16	290	410
17	300	500
18	300	500

Acenaphthylene cannot be determined by fluorescence detection.

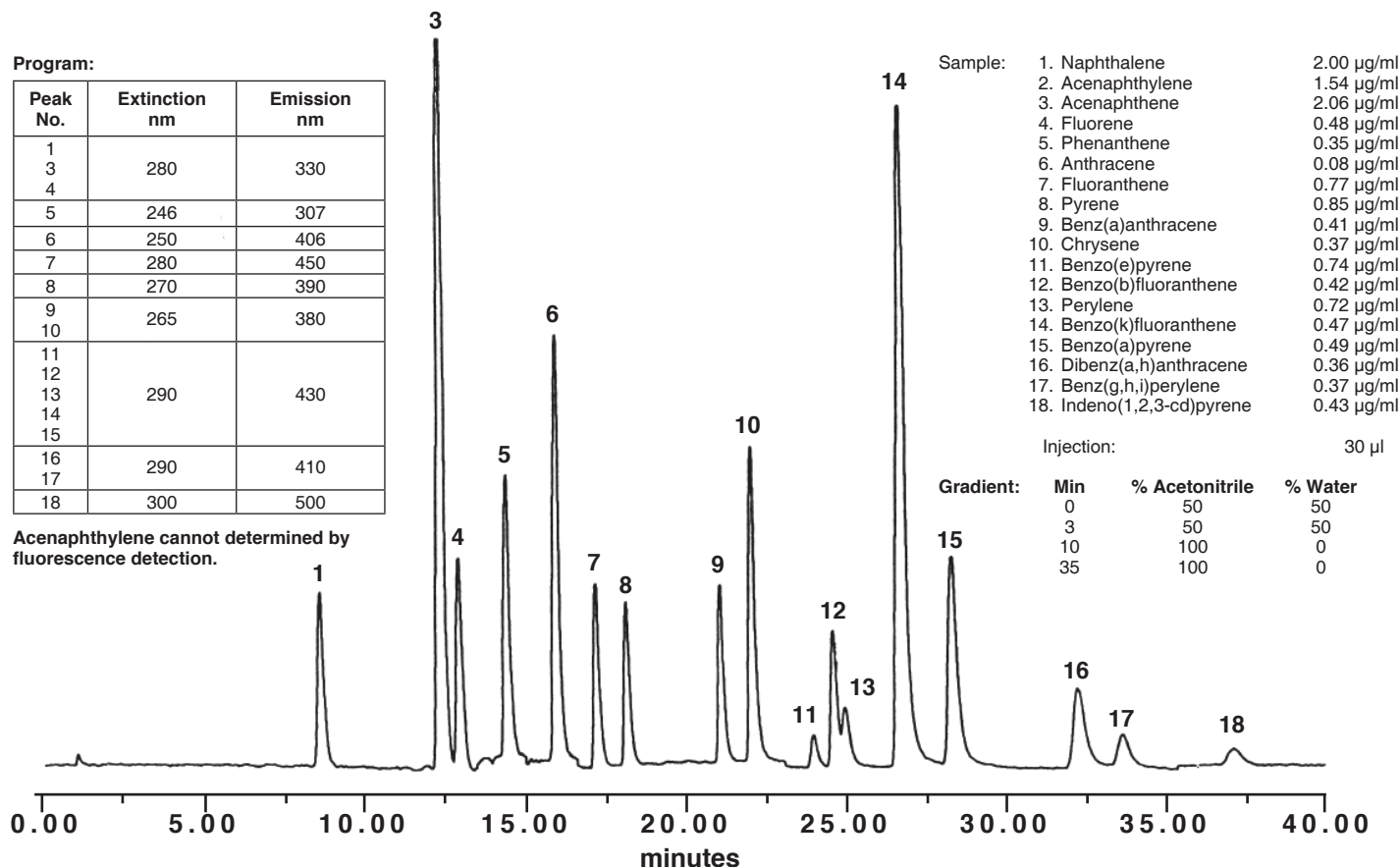


Figure 2 Separation of 7 PAH according to german tap water regulation

Column: LiChroCART® 250-4 LiChrospher® PAH

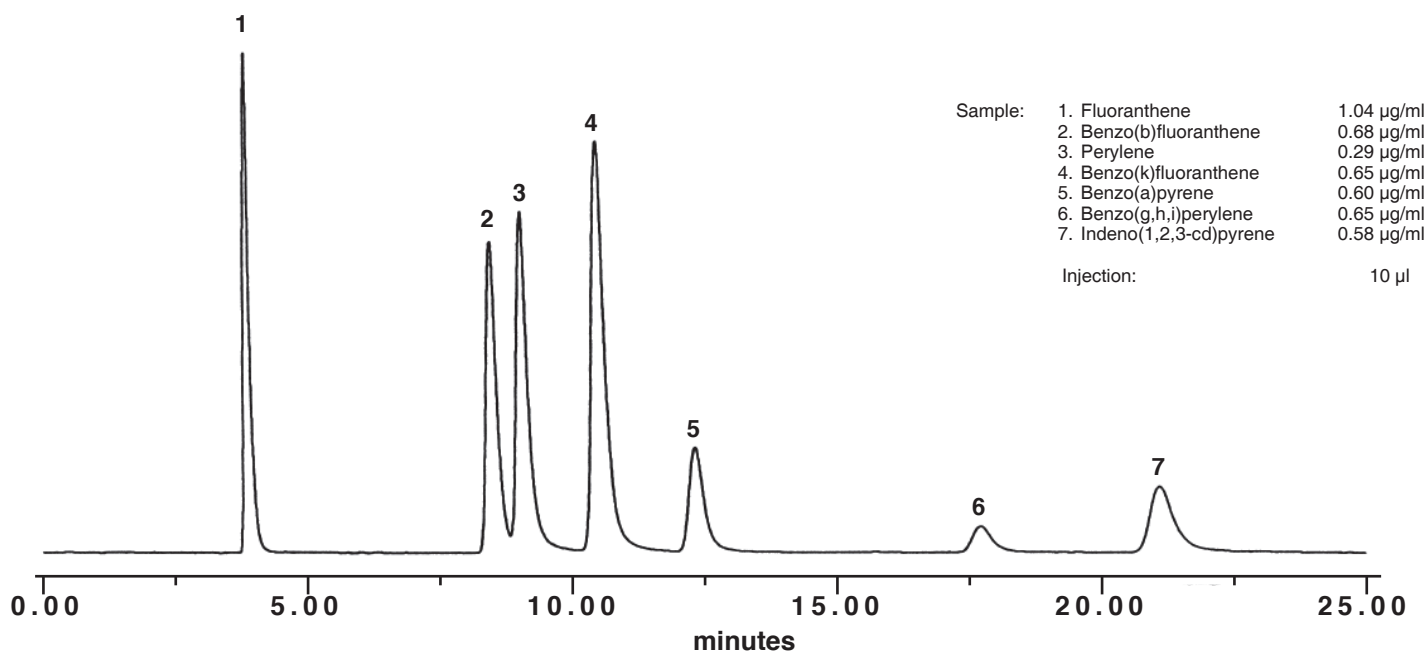
Eluent: Acetonitrile

Flow rate: 1.0 ml/min

Temperature: 20°C

Detection: Fluorescence Ex 365 nm, Em 470 nm

(Detector: LiChroGraph® F-1080)



Handling of LiChroCART® HPLC cartridges

LiChroCART® cartridges are used with re-usable endfittings (manu-CART®) which fit different cartridge lengths (75 mm–250 mm) and inner diameters (4.6 mm, 4 mm, 3 mm or 2 mm).

The endfittings (manu-CART®) are designed to allow the cartridges to be hand-sealed at normal working pressures up to 200 bar without the need for any tools. Only at higher pressures may further tightening with a wrench become necessary.

CARTRIDGE EQUILIBRATION

LiChroCART® cartridges were flushed with acetonitrile/water.

As they can dry out during stockings and shipping they have to be activated by purging 10–20 column volumes of pure organic component (e.g. acetonitrile, methanol) before equilibrating them with the mobile phase. Please increase the flow rate gradually stepwise from 0 mL/min to the desired value. If the eluent contains a buffer salt, you have to flush the cartridges with water after the activation step and before the equilibration step.

Mounting the manu-CART® to a LiChroCART® cartridge without precolumn

The manu-CART® (Cat. No. 1.51486.0001) consists of the following pieces. Check that you have all of these pieces before you begin to assemble your column.

No.	Description	Quantity
1	Cap nut	2
2	Spin collet	4
3	End fitting	2

The following procedure describes how to fit the pieces to just one end of your cartridge. Repeat steps 1–4 for the other end.

1. Insert the cartridge through the end fitting, so that the outer thread is at the outermost end.
2. Place 2 split collets around the neck of the cartridge as shown in Figure 1.
3. Push the end fitting up over the 2 split collets.
4. Screw the end cap over the assembled endfitting. Tighten finger tight.
5. When you install your column into the flow path of your LC, tighten the end fittings leak tight using wrenches.

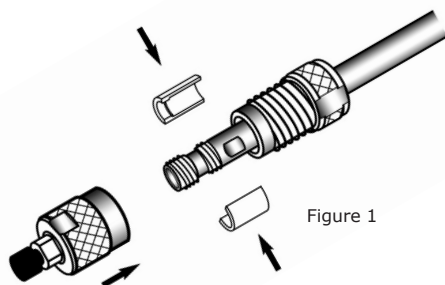


Figure 1

Mounting the manu-CART® to a LiChroCART® cartridge precolumn

1. Insert the cartridge through the end fitting, so that the outer thread is at the outermost end.
2. Place 2 split collets around the neck of the cartridge as shown in Figure 2.
3. Place the guard column cartridge inside the space at the end of the collets.
4. Push the end fitting up over the assembled guard column cartridge.
5. Screw the end cap over the end fitting. Tighten finger tight.
6. When you install your combined column and guard column into the flow path of your LC, tighten the end fittings leak-tight using wrenches.

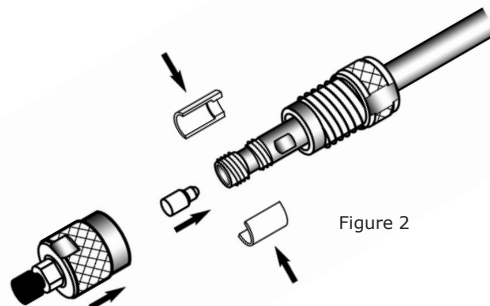


Figure 2

Status: 2024-08-08
Made in Germany

MilliporeSigma is the U.S. and Canada Life Science business of Merck KGaA, Darmstadt, Germany.

© 2024 Merck KGaA, Darmstadt, Germany and/or its affiliates. All Rights Reserved. MilliporeSigma, Supelco, Sigma-Aldrich, LiChrospher, LiChroCART, manu-CART, and LiChroGraph are trademarks of Merck KGaA, Darmstadt, Germany. All other trademarks are the property of their respective owners. Detailed information on trademarks is available via publicly available resources.

EMD Millipore Corporation, 400 Summit Drive, Burlington MA 01803, USA, Tel. +1-978-715-4321
MilliporeSigma Canada Ltd., 2149 Winston Park Dr, Oakville, Ontario, L6H 6J8, Canada, Phone: +1 800-565-1400
www.sigmaldrich.com/HPLC

**Millipore
Sigma**