

Series 8000 Stirred Cells and Ultrafiltration Membranes

- Millipore stirred cells are ideal for concentration, diafiltration and buffer exchange of macromolecule solutions including proteins, enzymes, antibodies and viruses



Units for Effective Concentration and Salt Removal

Amicon stirred cells are an effective system for the concentration and desalting of proteins and viruses. The devices are pressurized to force fluid through the membrane while retaining and concentrating the macromolecules. Desalting is achieved by a process of diafiltration where fluids are replaced and the system is repressurized.

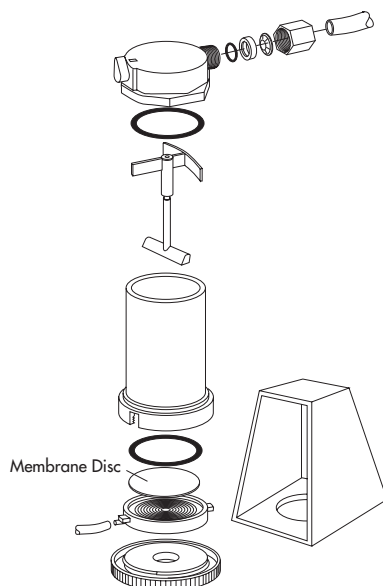
The stirred cell uses gentle magnetic stirring to control the concentration polarization or accumulation of macromolecules on the membrane surface. High flow rates are achieved with solutions up to 10% macrosolute concentration.

A Range of Membranes and Volume Sizes Available

Series 8000 stirred cells are available in 5 different volume sizes to accommodate solutions from 3 mL to 400 mL. When used together with the Millipore Ultrafiltration membrane of your choice, you can optimize your system to give you the results you need — high flow or high recovery. Use Ultracel™ membrane for the highest recovery of dilute solutions and Biomax or Amicon PM for faster concentration of more concentrated samples. See the selection tables inside for more details.

Stirred Cell 8000 Components and Assembly

1. Place ultrafiltration membrane at the bottom of the cell.
2. Fill cell with solution, place on a stirring table and apply nitrogen gas pressure.



Ordering Information

Stirred Cells Series 8000

Select The Cell Capacity For Your Application

Cell Capacity	3 mL	10 mL	50 mL	200 mL	400 mL
Model Number	8003	8010	8050	8200	8400
Catalog Number	5125	5121	5122	5123	5124
Minimum Process Volume:	0.075 mL	1.0 mL	2.5 mL	5.0 mL	10.0 mL
Nominal Membrane Diameter:	25 mm	25 mm	43 mm	62 mm	76 mm
Effective Membrane Area:	0.9 cm	4.1 cm	13.4 cm	28.7 cm	41.8 cm
Hold-up Volume:*	0.07 mL	0.2 mL	0.5 mL	1.2 mL	1.5 mL
Maximum Operating Pressure:	75 psi (5.3 kg/cm ²)				
Relief Valve Setting:	90 psi (6.3 kg/cm ²)				

*Non-recoverable volume (below membrane surface).



Ordering Information

Ultrafiltration Membranes

Membrane/Material	Features	NMWL	Membrane Diameter/Catalog Numbers			
			25 mm	44.5 mm (nom. 43)	63.5 mm (nom. 62)	76 mm
Ultracel YM						
Regenerated cellulose	High Recovery	1,000	13312	13322	13332	13342
		3,000	13412	13422	13432	13442AM
		10,000	13612	13622	13632	13642
		30,000	13712	13722	13732	13742
		100,000	14412	14422AM	14432	14442AM
Ultracel PL						
Regenerated cellulose	High Recovery	1,000	PLAC02510	PLAC04310	PLAC06210	PLAC07610
		3,000	PLBC02510	PLBC04310	PLBC06210	PLBC07610
		5,000	PLCC02510	PLCC04310	PLCC06210	PLCC07610
		10,000	PLGC02510	PLGC04310	PLGC06210	PLGC07610
		30,000	PLTK02510	PLTK04310	PLTK06210	PLTK07610
		100,000	PLHK02510	PLHK04310	PLHK06210	PLHK07610
Amicon PM						
Polyethersulfone	Fast Flow	10,000	13112	13122	13132	13142
		30,000	13212	13222	13232	13242
Biomax PB						
Polyethersulfone	Fast Flow	5,000	PBCC02510	PBCC04310	PBCC06210	PBCC07610
		10,000	PBGC02510	PBGC04310	PBGC06210	PBGC07610
		30,000	PBTK02510	PBTK04310	PBTK06210	PBTK07610
		50,000	PBQK02510	PBQK04310	PBQK06210	PBQK07610
		100,000	PBHK02510	PBHK04310	PBHK06210	PBHK07610
		300,000	PBMK02510	PBMK04310	PBMK06210	PBMK07610
		500,000	PBVK02510	PBVK04310	PBVK06210	PBVK07610

All packages contain 10 membranes.

Additional Equipment and Accessories

Description	Catalogue No.
High-Output Stirred Cells, acrylic sleeve	
115v, 2 liter	5111
230v, 2 liter	5112
Solvent-resistant Stirred Cells	
47 mm stirred cell, 75 mL	XFUF 047 01
76 mm stirred cell, 300 mL	XFUF 076 01
Liquid Reservoirs/Dispensing Pressure Vessels	
RC800 Reservoir with maximum volume of 800ml	6028
Pressure Vessel 3.785 liter (1 gallon) volume	XX67 00P 01
These pressure vessels provide extra fluid volume necessary for rapid dialysis (diafiltration).	
CDS10 Concentration/Dialysis Selector	6003
Selector provides instant switching from concentration to rapid dialysis (diafiltration).	

Continued next page

Additional Equipment and Accessories (con't)

Description	Catalogue No.
MF2 Push-Button Manifold Manifold to operate multiple cells or reservoirs.	6015
TA1 Tubing Adapter Kit Kit adapts plastic tubing to 1/8" or 1/4" male or female gas fittings.	6022

Technical Literature Available

- Ultrafiltration Disc Membranes for Stirred Cells and Micropartition System (TN1000ENUS)
- Stirred Cells Series 8000 (TN067)
- Solvent-Resistant Stirred Cells (PF2007EN00)

To Place an Order or Receive Technical Assistance

For additional information call your nearest Millipore office:

In the U.S. and Canada, call toll-free **1-800-MILLIPORE (1-800-645-5476)**

In the U.S., Canada and Puerto Rico, fax orders to **1-800-MILLIFX (1-800-645-5439)**

On the Internet

<http://www.millipore.com>

E-mail: tech_service@millipore.com



Now you can buy Millipore products online @

www.millipore.com/purecommerce

MILLIPORE

Millipore, Amicon and Biomax are registered trademarks of Millipore Corporation or an affiliated company.

Ultracel is a trademark of Millipore Corporation or an affiliated company.

Lit No. PF1050EN00 1/01 01-001

Printed in U.S.A.

Copyright 2001 Millipore Corporation or an affiliated company. All rights reserved.

Millipore Worldwide

AUSTRALIA

Tel. 1 800 222 111
or (02) 9888 8999
Fax (02) 9878 0788

AUSTRIA

Tel. (01) 877-8926
Fax (01) 877-1654

BALTIC COUNTRIES

Tel. +358 9 804 5110
Fax +358 9 256 5660

BELGIUM AND LUXEMBOURG

Tel. (02) 726 88 40
Fax (02) 726 98 84

BRAZIL

Tel. (011) 5548-7011
Fax (011) 5548-7923

CANADA

Tel. 1-800-645-5476
Fax 1-800-645-5439

CHINA, PEOPLE'S REPUBLIC OF

Beijing:
Tel. (8610) 8519-1250
(8610) 8519-1058
Fax (8610) 8519-1255
Guangzhou:
Tel. (8620) 8755-4021
Fax (8620) 8755-4350
Hong Kong:
Tel. (852) 2803-9111
Fax (852) 2513-0313
Shanghai:
Tel. (8621) 5306-9100
Fax (8621) 5306-0838

CZECH REPUBLIC

Tel. 02-2051 3841
02-2051 3842
Fax 02-2051 4298

DENMARK

Tel. 70 10 00 23
Fax 70 10 13 14

EASTERN EUROPE, C.I.S., AFRICA, MIDDLE EAST AND GULF

Analytical Division:
Tel. (33) 3.88.38.9536
Fax (33) 3.88.38.9539
BioProcess Division:
Tel. (43) 1 877-8926
Fax (43) 1 877-1654
Laboratory Water Division:
Tel. (33) 1.30.12.70.00
Fax (33) 1.30.12.71.80

FINLAND

Tel. (09) 804 5110
Fax (09) 256 5660

FRANCE

Tel. (01) 30.12.70.00
Fax (01) 30.12.71.80

GERMANY

Tel. (06196) 494-0
Fax (06196) 43901

HUNGARY

Tel. 1-205 9784
Fax 1-205 9792

INDIA

Tel. (91) 80-839 46 57
Fax (91) 80-839 63 45

ITALY

Vimodrone (Milano):
Tel. (02) 25.07.81
Fax (02) 26.50.324
Roma:
Tel. (06) 52.03.600
Fax (06) 52.95.735

JAPAN

Tel. (03) 5442-9711
Fax (03) 5442-9736
Analytical
9737 BioProcess
9734 Lab Water

KOREA

Tel. (822) 551-0990
Fax (822) 551-0228

MALAYSIA

Tel. 603-757 1322
Fax 603-757 1711

MEXICO

Tel. (525) 576-9688
Fax (525) 576-8706

THE NETHERLANDS

Tel. 076-5022000
Fax 076-5022436

NORWAY

Tel. 22 67 82 53
Fax 22 66 04 60

POLAND

Tel. 22-669 12 25
22-663 70 31
Fax 22-663 70 33

PUERTO RICO

Tel. (787) 273-8495
Fax (787) 747-6553

SINGAPORE

Tel. (65) 842 1822
Fax (65) 842 4988

SPAIN AND PORTUGAL

Madrid:
Tel. 917 283 960
Fax 917 292 909
Barcelona:
Tel. 934 525 530
Fax 934 516 048

SWEDEN

Tel. 08-628 6960
Fax 08-628 6457

SWITZERLAND

Volketswil:
Tel. (01) 908-30-60
Fax (01) 908-30-80
Lausanne:
Tel. (021) 641 2550
Fax (021) 641 2551

TAIWAN

Taipei:
Tel. (886-2) 700-1742
Fax (886-2) 755-3267
Hsin Chu City:
Tel. (886-3) 571-0178
Fax (886-3) 572-9520

U.K. AND IRELAND

Tel. (01923) 816375
Fax (01923) 818297

U.S.A.

Tel. (781) 533-6000
Fax (781) 533-3110

IN ALL OTHER COUNTRIES

Millipore Intertech (U.S.A.)
Tel. +1 (781) 533-8622
Fax +1 (781) 533-8630