

# Series 4000™ Single-Round Filter Housings

Reliable filter housing design to meet all your biopharmaceutical filtration needs.

The Series 4000™ single-round filter housing line provides a range of pre-configured designs to meet all your process and filtration needs. It is available in T-Line and In-Line designs, with a wide range of tube sizes.

Series 4000™ filter housings make it easy for you to select and purchase the right filter housing for a wide range of filtration applications.

Using proven stainless steel components to build all housings, ensures consistent quality and performance. The 5, 10, 20, and 30 inch sizes, are available with a Code 7 base dedicated to critical applications.

A full range of cartridge filters is also available to suit your application requirements and complement your housing choice.

## How to make your choice:

[EMDMillipore.com/DE/en/20140103\\_194216](http://EMDMillipore.com/DE/en/20140103_194216)



## Benefits

**Direct availability:** The Series 4000™ filter housings are available and ready to be shipped to your location.

**Compliance:** All filter housings are shipped with an enhanced documentation package (User Guide, Certificate of Quality, Safety Instructions...) to ensure regulatory compliance.

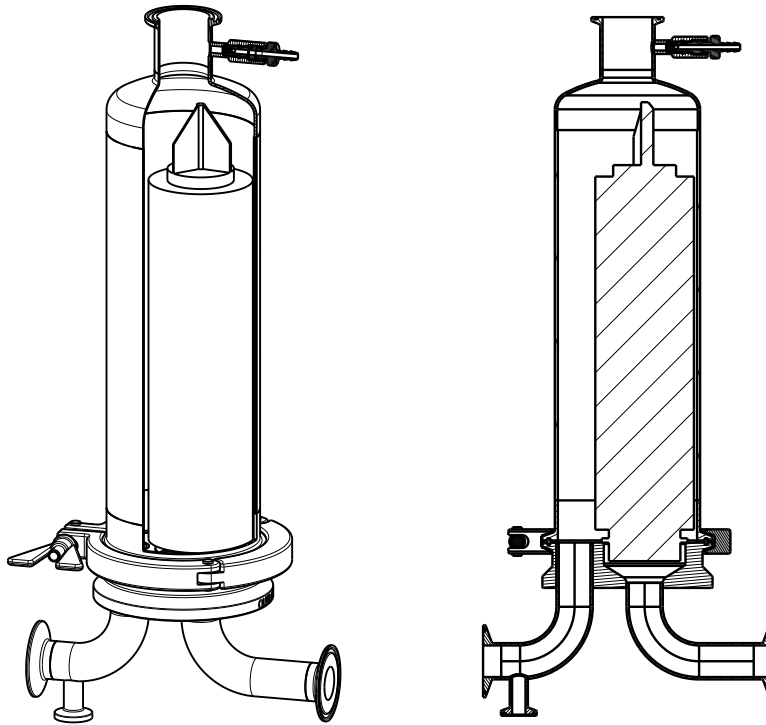
**Design:** Series 4000™ filter housings are designed to low dead volume, minimizing product loss and enhancing cleanability.

**Support:** Our technical service experts provide unparalleled support and service, helping you find the filter housing that will best fit your needs.

## Standard Housing Type

### Series 4000™ T-Line Single-Round Housings

Exploded view with cartridge



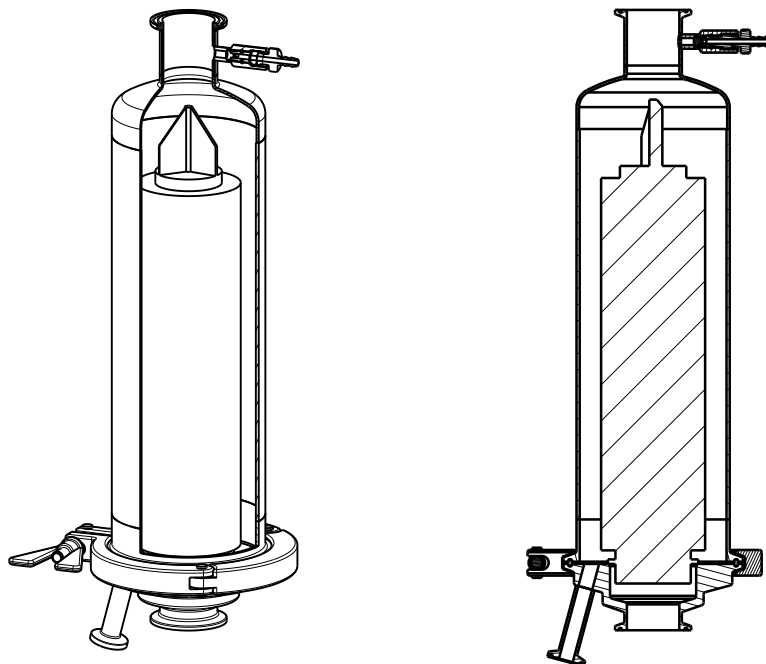
#### T-Line Connection

Typically liquid applications

Can also be used for compressed gas filtration

### Series 4000™ In-Line Single-Round Housings

Exploded view with cartridge



#### In-Line Connection

Typically venting applications

## Specifications

Description	North America and Europe
Pressure Equipment Directive	<p>Series 4000™ housings are designed and manufactured according to Sound Engineering Practice (SEP)</p> <p>Series 4000™ 30 inches housings comply with the essential safety requirements of product Cat I of the Pressure Equipment Directive (2014/68/EU) for Gaz group 2 and liquid group 1, and will be CE marked. Otherwise, all other Series 4000™ housings are designed and manufactured according to Sound Engineering Practice (SEP), and must not be CE marked. Series S4000™ housing are not CRN compliant and not Atex compliant.</p>
Biocompatibility	<p><b>FDA Indirect Food Additive Requirements</b> All seal materials meet the FDA Indirect Food Additive requirements cited in 21 Code of Federal Regulations, section 177-2600 for rubber compounds or 177.1550 for fluorocarbon resin, based on information provided by raw material suppliers</p> <p><b>USP &lt;88&gt; Class VI</b> Seal materials* meet the criteria for Class VI testing based on USP &lt;88&gt; Biological Reactivity, <i>in vivo</i> * <i>Exception of PTFE seal material</i></p> <p><b>Animal origin statement</b> Available</p>
Operating Conditions Range	<p><b>Design temperature</b> Maximum allowed temperature : 150°C (293°F)</p> <p><b>Design pressure</b> Maximum allowed pressure : 10 bar (145 psig)</p>
Materials of Construction	<p><b>Wetted parts (all surfaces in contact with the product)</b> 316 L (EN 1.4404) stainless steel Bell to base gasket + plunger valve seal (if applicable) : silicone Plunger valve seal tip: PTFE (if applicable)</p> <p><b>Non wetted part</b> Clamp 304 stainless steel</p>
Surface finish for stainless steel wetted parts	<p><b>Electropolished</b> Ra ≤ 0.38 µm (15 µinch) internal Ra ≤ 0.8 µm (32 µinch) external</p>
Cartridge compatibility	<p><b>Adapter code</b> Code 7</p> <p>Compatible cartridges have two 2-226 O-rings and locking tabs</p> <p><b>Cartridge diameter</b> Recommended: 6.9 cm (2.7 inch)</p>
Clamp	4 in. sanitary flange, 304 stainless steel clamps
Base Type	Wire form or recessed base
Design	T-Line, In-Line
Quality	<p><b>All housings are shipped with a complete Documentation Package guaranteeing conformance to stated requirements.</b></p> <p><b>Main content of the Documentation Package:</b></p> <ul style="list-style-type: none"> <li>• User Guide</li> <li>• Safety Instructions</li> <li>• Chemical compatibility</li> <li>• Drawing</li> <li>• Certificate of Quality and Declaration of Conformity to CE/PED</li> <li>• Surface Finish and Pressure test statements</li> <li>• Material Certificates</li> <li>• Weld Maps</li> <li>• WPS (Welding Procedure Specification)/WPQR (Welding Procedure Qualification Record) and Welders Certificates</li> </ul>

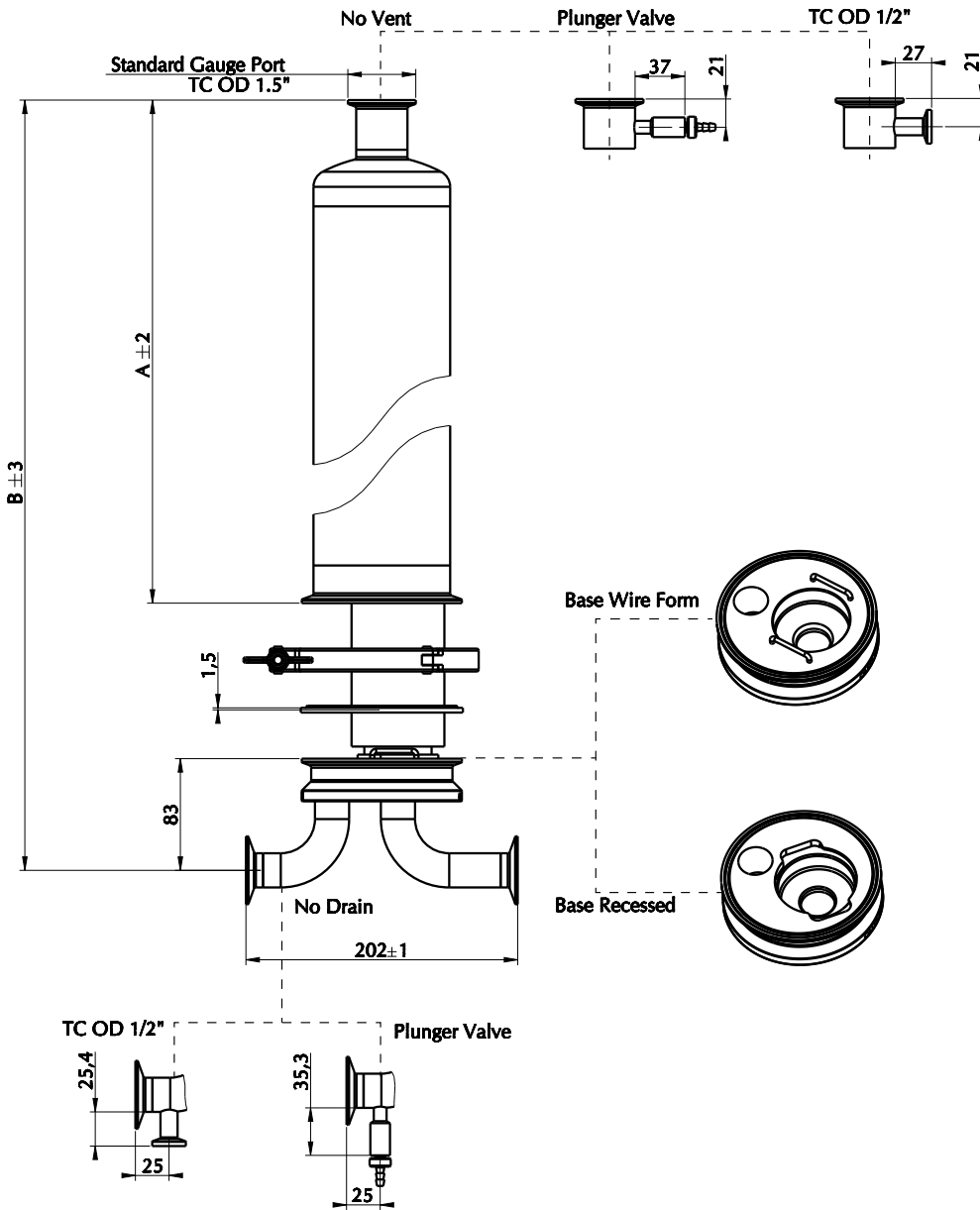
## Example of Name Plate

Example for Series 4000™ Housing 30"



\*CE Marking only on housing 30"

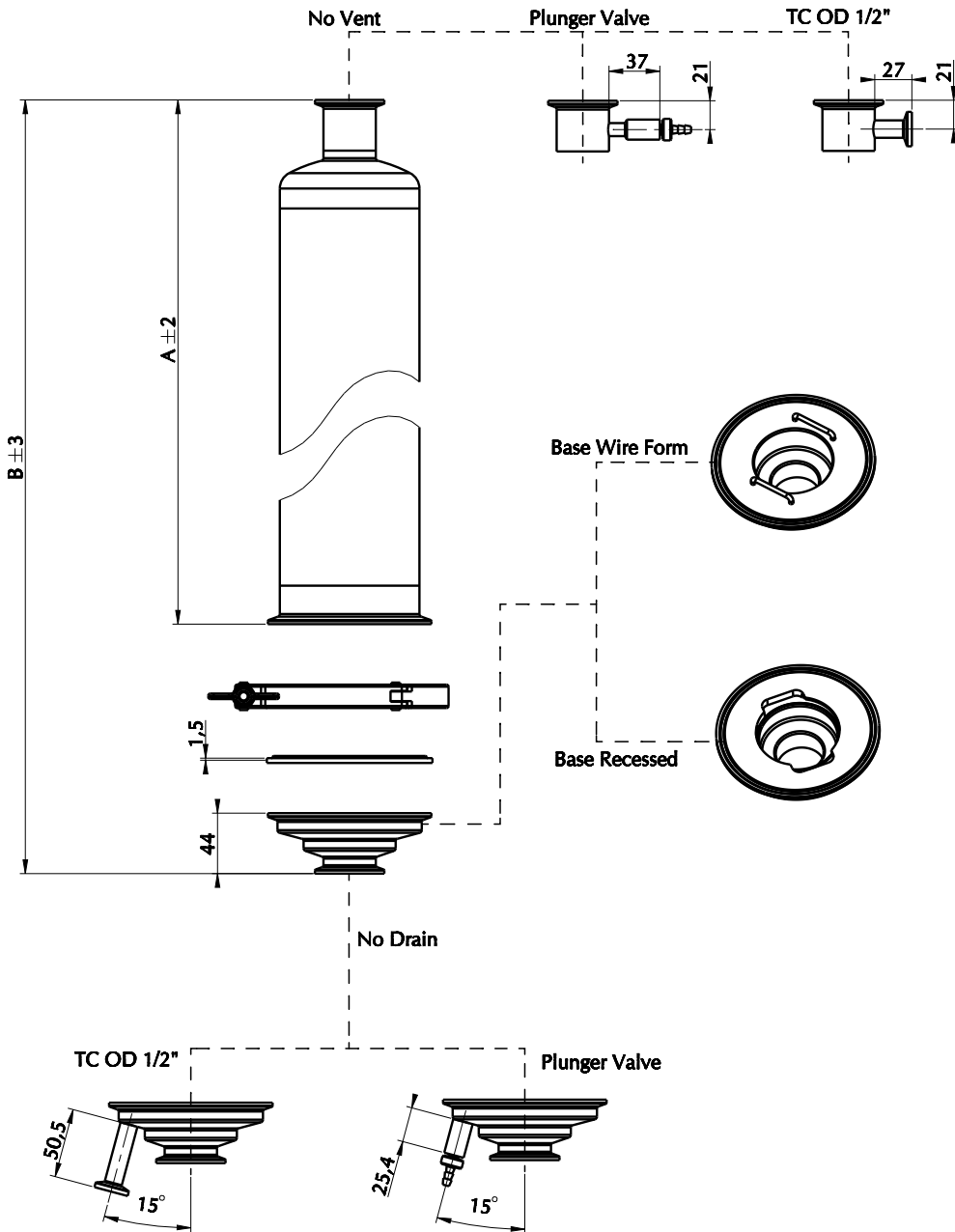
# T-Line Housing Dimensions



Cartridge Length	Dimension A mm (inch)	Dimension B mm (inch)	PED Application	PED Category
5"	239 (9.409)	323 (12.717)		Art.4.3
10"	366 (14.409)	450 (17.717)		No CE marking
20"	620 (24.409)	704 (27.717)	Liquids Group 1 Gaz Group 2	Cat 1
30"	861 (31.535)	945 (37.205)		CE marking

Inlet/Outlet Connections	Dimension mm (inch)
TC/TC	202 mm (7.953 inch)

## In-Line Housing Dimensions



Cartridge Length	Dimension A mm (inch)	Dimension B mm (inch)	PED application	PED category
5''	239 (9.409)	284 (11,18)	Liquids group 1 gaz group 2	Art. 4.3
10''	366 (14.409)	411 (16,18)		No CE marking
20''	620 (24.409)	665 (26,18)		

## T-Line Ordering Information

Housing S4000™ Single Round T-Line	Height	Cat. No.	Code 7	Vent	Drain
Inlet/outlet TC OD 1 inch Tube = 25.4 mm , TC = 50.5 mm	5"	H1WT5G01CC	WIRE FORM	FERRULE TC OD 1/2	FERRULE TC OD 1/2
		H1WT5G01NN	WIRE FORM	NO VENT	NO DRAIN
		H1WT5G01PC	WIRE FORM	PLUNGER VALVE	FERRULE TC OD 1/2
		H1WT5G01PN	WIRE FORM	PLUNGER VALVE	NO DRAIN
		H1WT5G01PP	WIRE FORM	PLUNGER VALVE	PLUNGER VALVE
	10"	H1WT1G01CC	WIRE FORM	FERRULE TC OD 1/2	FERRULE TC OD 1/2
		H1WT1G01NN	WIRE FORM	NO VENT	NO DRAIN
		H1WT1G01PC	WIRE FORM	PLUNGER VALVE	FERRULE TC OD 1/2
		H1WT1G01PN	WIRE FORM	PLUNGER VALVE	NO DRAIN
		H1WT1G01PP	WIRE FORM	PLUNGER VALVE	PLUNGER VALVE
	20"	H1RT1G01CC	RECESSED	FERRULE TC OD 1/2	FERRULE TC OD 1/2
		H1RT1G01PN	RECESSED	PLUNGER VALVE	NO DRAIN
		H1RT1G01PP	RECESSED	PLUNGER VALVE	PLUNGER VALVE
		H1RT1G01PPL	RECESSED	PLUNGER VALVE	PLUNGER VALVE
		H1RT2G01NN	RECESSED	NO VENT	NO DRAIN
	30"	H1RT2G01PN	RECESSED	PLUNGER VALVE	NO DRAIN
		H1WT2G01PP	WIRE FORM	PLUNGER VALVE	PLUNGER VALVE
		H1WT3G01CC	WIRE FORM	FERRULE TC OD 1/2	FERRULE TC OD 1/2
H1WT3G01PC		WIRE FORM	PLUNGER VALVE	FERRULE TC OD 1/2	
H1WT3G01PN		WIRE FORM	PLUNGER VALVE	NO DRAIN	
10"	H1WT3G01PP	WIRE FORM	PLUNGER VALVE	PLUNGER VALVE	
	H1RT3G01PN	RECESSED	PLUNGER VALVE	NO DRAIN	
Inlet/outlet TC DIN DN 25 Tube = 29 mm, TC = 50.5 mm	10"	H1WT1F25PP	WIRE FORM	PLUNGER VALVE	PLUNGER VALVE

Note: the catalogue number H1RT1G01PPL is available with legs

## In-Line Ordering Information

Housing S4000™ Single Round In-Line	Height	Cat. No.	Code 7	Vent	Drain
Inlet/outlet TC OD 1.5 inch Tube = 38.1 mm , TC = 50.5 mm	5"	H1WS5G1HCC	WIRE FORM	FERRULE TC OD 1/2	FERRULE TC OD 1/2
		H1WS5G1HNC	WIRE FORM	NO VENT	FERRULE TC OD 1/2
		H1WS5G1HNN	WIRE FORM	NO VENT	NO DRAIN
		H1WS5G1HNP	WIRE FORM	NO VENT	PLUNGER VALVE
		H1WS5G1HPC	WIRE FORM	PLUNGER VALVE	FERRULE TC OD 1/2
		H1WS5G1HPP	WIRE FORM	PLUNGER VALVE	PLUNGER VALVE
		H1RS5G1HNC	RECESSED	NO VENT	FERRULE TC OD 1/2
		H1RS5G1HPP	RECESSED	PLUNGER VALVE	PLUNGER VALVE
	10"	H1WS1G1HCC	WIRE FORM	FERRULE TC OD 1/2	FERRULE TC OD 1/2
		H1WS1G1HNC	WIRE FORM	NO VENT	FERRULE TC OD 1/2
		H1WS1G1HNN	WIRE FORM	NO VENT	NO DRAIN
		H1WS1G1HNP	WIRE FORM	NO VENT	PLUNGER VALVE
		H1WS1G1HPC	WIRE FORM	PLUNGER VALVE	FERRULE TC OD 1/2
		H1WS1G1HPP	WIRE FORM	PLUNGER VALVE	PLUNGER VALVE
		H1RS1G1HCC	RECESSED	FERRULE TC OD 1/2	FERRULE TC OD 1/2
		H1RS1G1HNN	RECESSED	NO VENT	NO DRAIN
	20"	H1RS1G1HPP	RECESSED	PLUNGER VALVE	PLUNGER VALVE
		H1WS2G1HCC	WIRE FORM	FERRULE TC OD 1/2	FERRULE TC OD 1/2
H1WS2G1HNC		WIRE FORM	NO VENT	FERRULE TC OD 1/2	
H1WS2G1HNN		WIRE FORM	NO VENT	NO DRAIN	
H1WS2G1HNP		WIRE FORM	NO VENT	PLUNGER VALVE	
H1WS2G1HPC		WIRE FORM	PLUNGER VALVE	FERRULE TC OD 1/2	
H1WS2G1HPP		WIRE FORM	PLUNGER VALVE	PLUNGER VALVE	
H1RS2G1HNC		RECESSED	NO VENT	FERRULE TC OD 1/2	
10"	H1RS2G1HPP	RECESSED	PLUNGER VALVE	PLUNGER VALVE	
	H1WS1G01PP	WIRE FORM	PLUNGER VALVE	PLUNGER VALVE	

## Ordering Information

### Recommended Spare Parts

Category	Description	Quantity	Cat. No.
Gaskets (kits)	1/2" TC gasket, Silicone	10/pk	HGTC050SP
	1/2" TC gasket, EPDM	10/pk	HGTC050EP
	1/2" TC gasket, PTFE encapsulated fluoroelastomer	10/pk	HGTC050T0
	1" TC gasket, Silicone	10/pk	HGTC100SP
	1" TC gasket, EPDM	10/pk	HGTC100EP
	1" TC gasket, PTFE encapsulated fluoroelastomer	10/pk	HGTC100T0
	1 1/2" TC gasket, Silicone	10/pk	HGTC150SP
	1 1/2" TC gasket, EPDM	10/pk	HGTC150EP
	1 1/2" TC gasket, PTFE encapsulated fluoroelastomer	10/pk	HGTC150T0
	4" TC gasket, Silicone	10/pk	HGTC400SP
	4" TC gasket, EPDM	10/pk	HGTC400EP
	4" TC gasket, PTFE encapsulated fluoroelastomer	10/pk	HGTC400T0
Vent valve seal kits	Seal kit, Silicone o-ring and PTFE tip	10/pk	HGPVS0KIT
	Seal kit, EPDM o-ring and PTFE tip	10/pk	HGPVEPKIT
	Seal kit, fluoroelastomer o-ring and PTFE tip	10/pk	HGPVV0KIT

### Optional Spare Parts & Accessories

Category	Description	Quantity	Cat. No.
Tri-clamps	TC 3/4" ( = TC 1/2")	2/pk	HCLMP0075IN2
	TC 1 1/2" ( = TC 1")	2/pk	HCLMP0150IN2
	TC 4" (3 pieces clamp)	1/pk	P34303
	TC 4" (2 pieces, Bolted clamp to be used with PTFE encapsulated gasket)	1/pk	P35015
Valve accessories	Plunger valve stem (made of 316 L)	2/pk	H1PVSTEM2
Caps	316 L Cap, 1/2" TC or 3/4" TC	2/pk	HPLG00075IN2
	316 L Cap, 1" TC or 1 1/2" TC	2/pk	HPLG00150IN2
Pressure gauge	Pressure gauge, psi + bar type (0-160 psi, 0-11 bar)	1/pk	P90001
	Pressure gauge, Kpa + bar type [0-1,100 Kpa, 0-11 bar]	1/pk	P90005
Cartridge adaptor	Code 7 to code 0 adaptor kit	1/pk	HGADAPT0RC7/0
Vent valve seal kits	Diaphragm for diaphragm valve, EPDM	2/pk	H1DVDEP02
Diaphragm valves	HOUSING,ACC,MAN.DIAPH.VALVE,TYPE 601,I/O TC-TC 25MM,ISO DN08,HAND WHEEL MATERIAL PLASTIC,EPDM MEMBRANE	1/pk	YFS7ETC34
	HOUSING,ACC,MAN.DIAPH.VALVE,TYPE 602,I/O TC-TC 25MM,ISO DN08,HAND WHEEL MATERIAL SST,EPDM MEMBRANE	1/pk	YFS7ATC34
	HOUSING,ACC,MAN.DIAPH.VALVE,TYPE 601,I/O TC-TC 25MM,ISO DN08,HAND WHEEL MATERIAL PLASTIC,PTFE MEMBRANE	1/pk	YFS7TTC34
	HOUSING,ACC,MAN.DIAPH.VALVE,TYPE 601,I/O TC-HOSE 25MM,ISO DN08,HAND WHEEL MATERIAL PLASTIC,EPDM MEMBRANE	1/pk	YFS7E0B34
	HOUSING,ACC,MAN.DIAPH.VALVE,TYPE 602,I/O TC-HOSE 25MM,ISO DN08,HAND WHEEL MATERIAL SST,EPDM MEMBRANE	1/pk	YFS7A0B34

MilliporeSigma  
400 Summit Drive  
Burlington, MA 01803

For additional information, please visit  
**[EMDMillipore.com/S4000](https://www.emdmillipore.com/S4000)**

To place an order or receive technical assistance,  
please visit **[EMDMillipore.com/contactPS](https://www.emdmillipore.com/contactPS)**

**[EMDMillipore.com](https://www.emdmillipore.com)**

