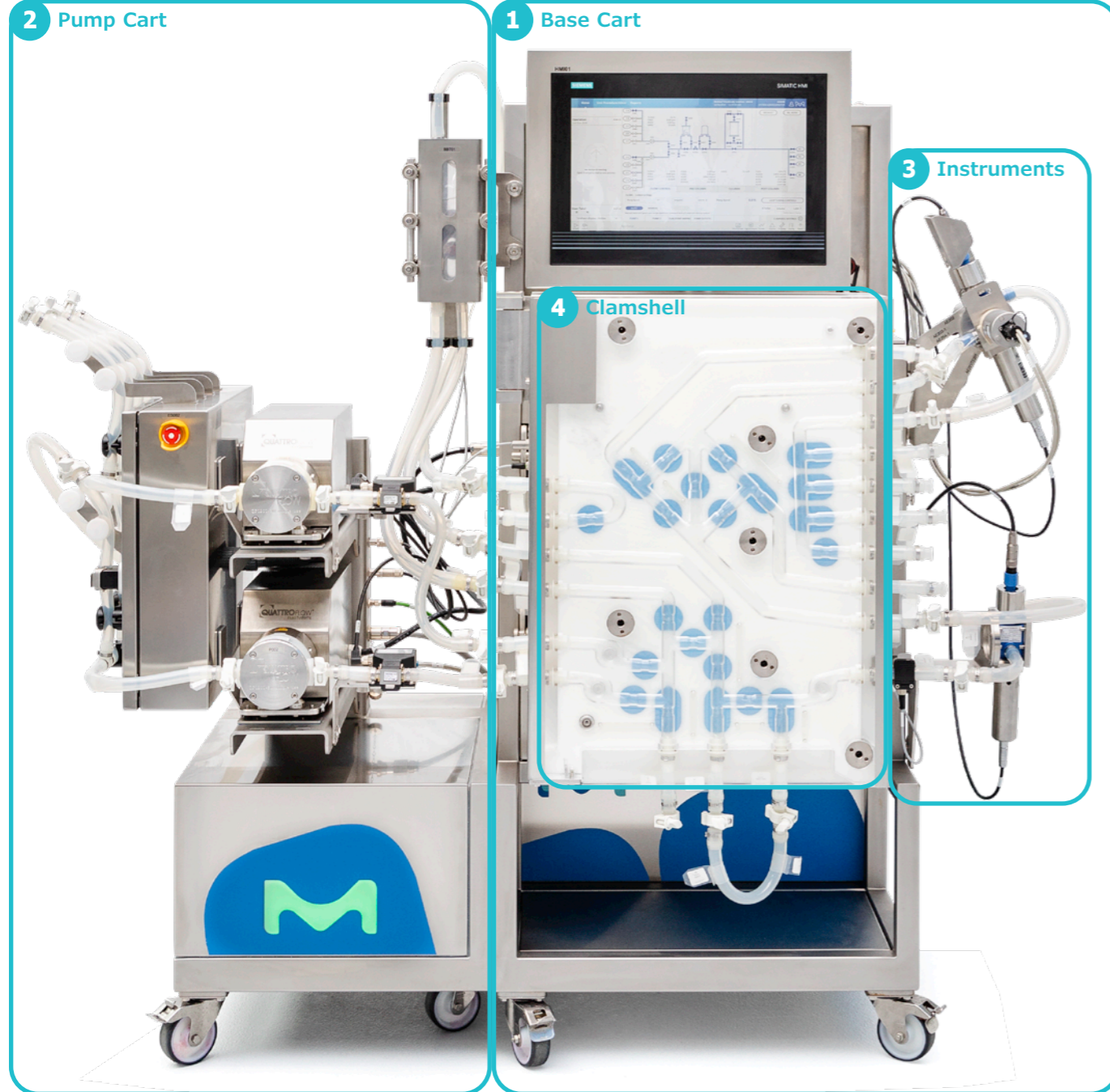


Spare Parts for Mobius® Chrom 20 System



The life science business of Merck KGaA, Darmstadt, Germany operates as MilliporeSigma in the U.S. and Canada.

Mobius® Chrom 20 System – Spare Part List



# ON EXPLODED VIEW	SYSTEM PART	CATALOGUE NUMBER	DESCRIPTION	PREVENTIVE MAINTENANCE (PM)* CRITICAL **
1		SPKMSMTBASE023	FLEXREADY SMART, SMARTBASE, SET OF 5 AIR FILTER CARTRIDGES	PM
#2	1	SPKGEN002	EBOX FAN FILTER	PM
#3	4	SPKMSMTCS040	FLEXREADY SMART CHROM20, CLAMSHELL, VALVE PADS KIT	PM
#4	2	SPKMSMTUMP013	SMART, PUMP QF1200-5, SHAFT BEARING CAP UNIT	PM
#5	3	SPKMSMTSEN001	FLEXREADY SMART, UV LAMP	PM
#6	4	SPKMSMTBASE015	FLEXREADY SMART, SET OF BALLS AND O-RINGS	Critical
#7	5	SPKMSMTBASE038	FLEXREADY SMART, POWER SUPPLY, 100-230VAC / 24VDC, 10A	Critical
#8	5	SPKMSMTBASE025	FLEXREADY SMART, SMARTBASE, PLC CPU WITH MEMORY CARD	Critical
#9	1	SPKMSMTBASE039	FLEXREADY SMART, I/O MODULES REPLACEMENT KIT 1	Critical
#10	5	SPKMSMTBASE040	FLEXREADY SMART, CUBE67 BUS NODES ETHERNET IP SMART BASE	Critical
#11	4	SPKMSMTCS037	FLEXREADY SMART, CUBE67 BUS NODES ETHERNET IP CHROM20 CS	Critical
#12	5	SPKMSMTBASE041	FLEXREADY SMART, SMARTBASE, PLC POWER SUPPLY	Critical
#13	1	please contact us	FLEXREADY SMART, SMARTBASE, HMI	Critical
#14	1	SPKGEN003	EBOX FAN	Critical
#15	3	SPKMSMTBBL001	FLEXREADY SMART Chrom., BBT SUPPORT, LEVEL SENSOR KIT	Critical
#16	4	SPKMSMTCS038	FLEXREADY SMART CHROM20, CLAMSHELLS, NC/NO PINCH VALVE 5/8"	Critical
#17	4	SPKMSMTCS039	FLEXREADY SMART CHROM20, CLAMSHELL, CONNECTOR CLIPS KIT	Critical
#18	4	SPKMSMTCS041	FLEXREADY SMART CHROM20, CLAMSHELL, NO PCV PINCH VALVE 5/8"	Critical
#19	4	SPKMSMTCS022	FLEXREADY SMART XMO, CLAMSHELL, VALVE TERMINAL MPA	Critical
#20	4	SPKMSMTCS024	FLEXREADY SMART, CLAMSHELL, CONTROL VALVE KIT	Critical
#21	4	SPKMSMTCS025	FLEXREADY SMART, CLAMSHELL, PRESSURE TRANSMITTER AND SWITCH KIT	Critical
#22	4	SPKMSMTCS026	FLEXREADY SMART, CLAMSHELL, PRESSURE TRANSMITTER	Critical
#23	5	SPKMSMTPCART006	FLEXREADY SMART, PUMP SKID, POWER SUPPLY, 100-240VAC / 48VDC, 12.5 A	Critical
#24	3	SPKMSMTPCART008	FLEXREADY SMART, PUMPS, PUMP CABLE FOR PUMP 1200S	Critical
#25	2	SPKMSMTPCART009	FLEXREADY SMART, PUMPS, PUMP 1200S KIT	Critical
#26	2	SPKMSMTFLW007	FLEXREADY SMART, FLOWMETERS, FLOWMETER CABLE	Critical
#27	2,5	SPKMSMTFLW011	FLEXREADY SMART CHROM20, FLOWMETERS, FLOWMETER CONVERTER KIT	Critical
#28	2	SPKMSMTFLW012	FLEXREADY SMART CHROM20, FLOWMETERS, FLOWMETER KIT	Critical
#29	2	SPKMSMTFLW013	SMART Chrom20, SU Flowmeter Mechanical Spare Kit	Critical
#30	2	SPKMSMTMNFLD006	FLEXREADY SMART XMO, MANIFOLD, VALVE TERMINAL MPA	Critical
#31	2	SPKMSMTMNFLD013	FLEXREADY SMART XMO, MANIFOLD, PNEUMATIC VALVE KIT	Critical
#32	1	SPKMSMTTMTR001	FLEXREADY SMART, CONVERTER C8480 KIT	Critical
#33	1	SPKMSMTTMTR003	FLEXREADY SMART, INSTRUMENTATION CABLES KIT	Critical
#34	3	SPKMSMTSEN003	FLEXREADY SMART, UV SENSOR	Critical
#35	3	SPKMSMTSEN007	FLEXREADY SMART CHROM., PH PROBE	Critical
36		SPKMSMTGEN008	FLEXREADY SMART, I/O MODULES REPLACEMENT KIT 2	Critical
#37	5	SPKMSMTBASE044	GATEWAY	Critical
#38	5	please contact us	FLEXREADY SMART, SMARTBASE, MANAGEABLE ETHERNET SWITCH 8 CHANNEL	Other
#39	1	SPKMSMTBASE036	FLEXREADY SMT, SMARTBASE, HMI GAZ MODULE	Other
#40	1	SPKMSMTBASE037	FLEX. SMT, SMARTBASE, HMI BEARING & CAP	Other
#41	1,2	SPKGEN001	LIGHTING M	Other
#42	2	SPKMSMTPCART010	FLEXREADY SMART, PUMPS, MECHANICAL SPARE KIT	Other
43		SPKMSMTMNFLD004	FLEXREADY SMART, MANIFOLD, AIR SUPPLY KIT	Other
44		SPKMSMTGEN006	FLEXREADY SMART, ELECTRICAL COMPONENTS KIT	Other
45		SPKMSMTGEN007	FLEXREADY SMART, INTERCONNECTION CABLES KIT	Other
46		SPKMBPWCC	Power cord Chrom 20 CH	Other
47		SPKMBPWCEU	Power cord Chrom 20 EU	Other
48		SPKMBPWJJP	Power cord Chrom 20 JP	Other
49		SPKMBPWCKR	Power cord Chrom 20 KR	Other
50		SPKMBPWNA	Power cord Chrom 20 NA	Other
51		SPKMBPWCUK	Power cord Chrom 20 UK	Other
52		SPKMBPWCCN	Power cord Chrom 20 CN	Other

Note: # means that the part is illustrated on the drawing

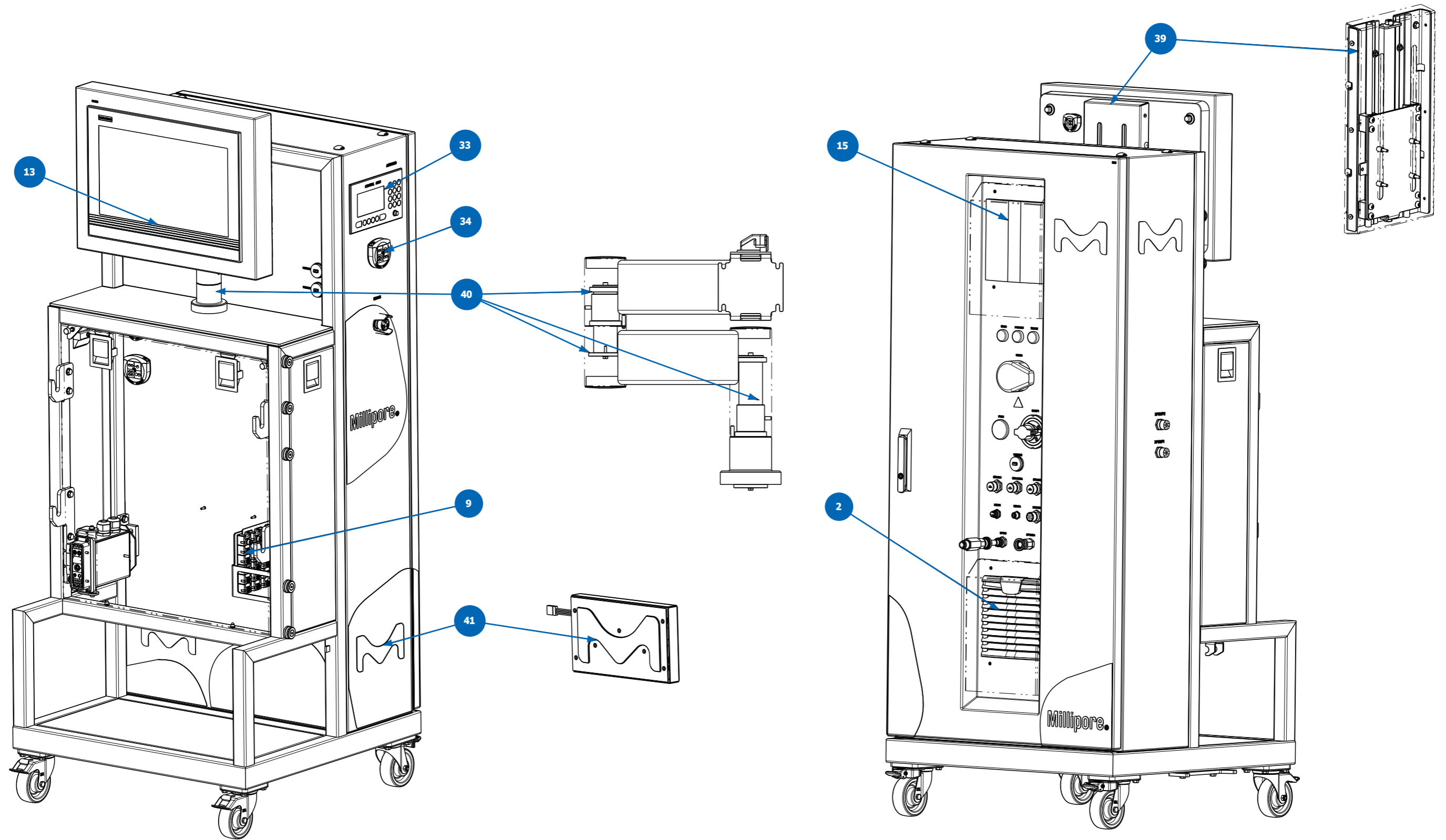
***PM parts** are subject to wear and tear. Under average usage conditions, they should be replaced at least once per year. A risk assessment based on the specific system usage and production conditions may indicate replacement of some or all of these parts more frequently.

****Critical parts** have been identified as most critical to avoiding system downtime and are recommended to be kept in stock for immediate availability.

For both PM and Critical parts stock recommendation is 1 part per unit.

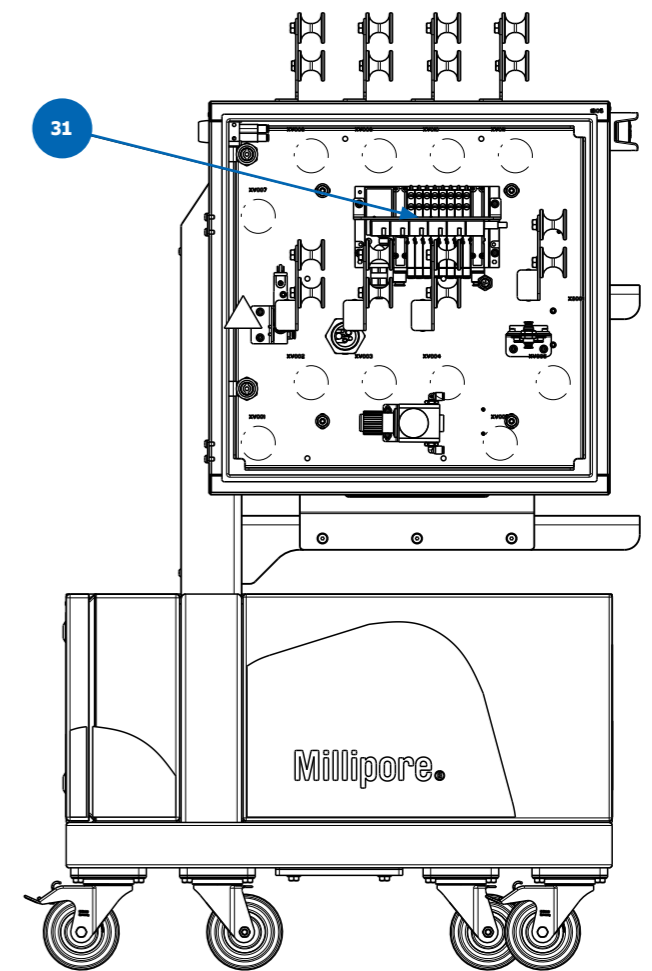
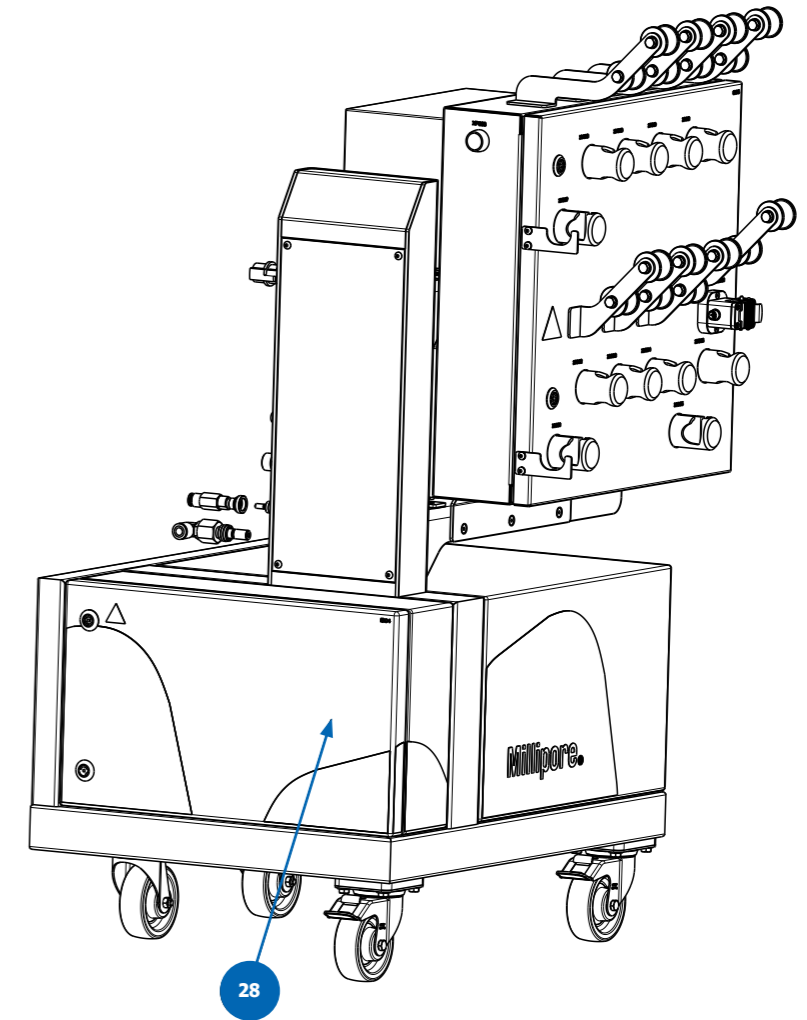
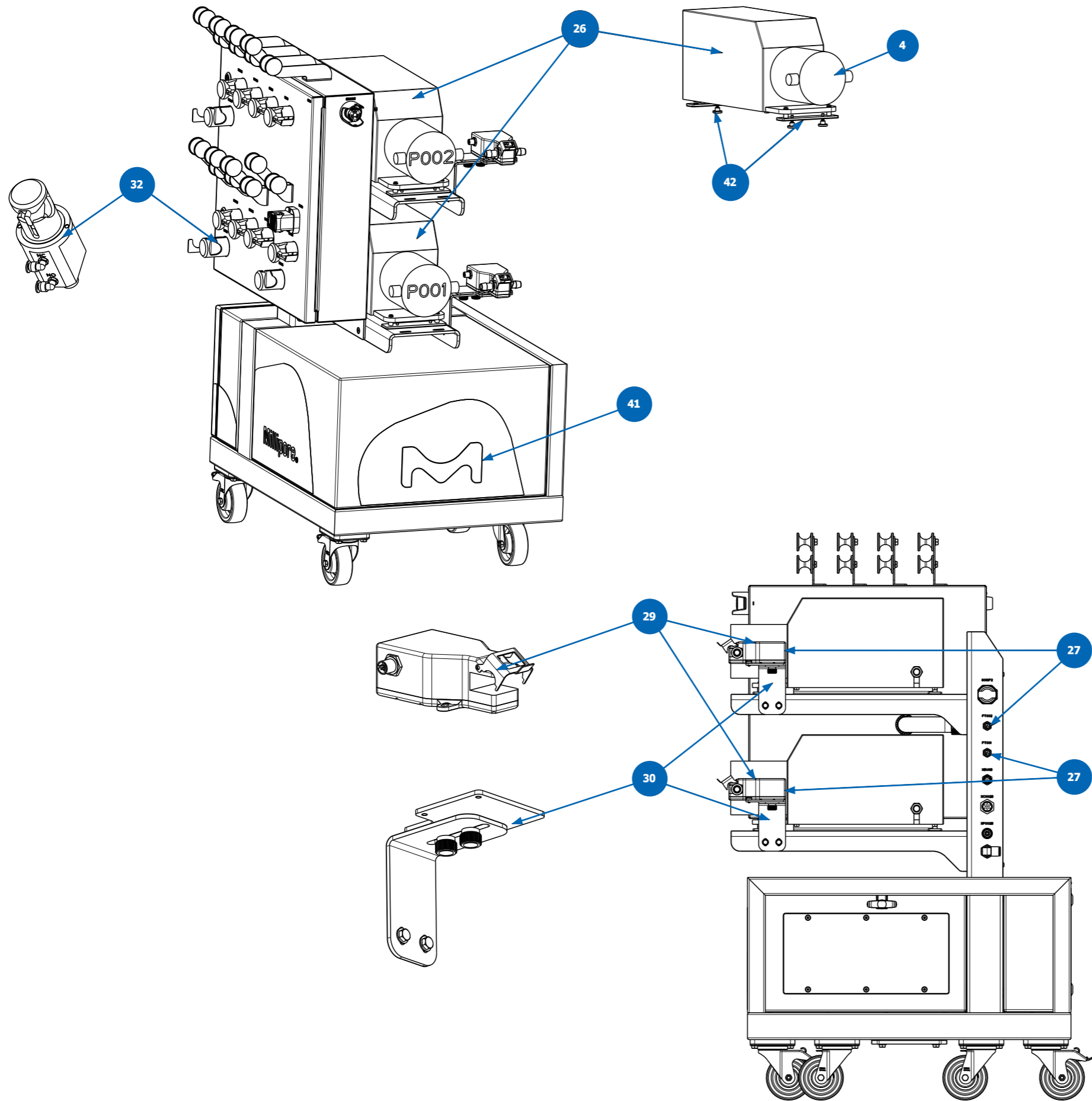
Mobius® Chrom 20 System – Spare Part List

1 Exploded view Base Cart



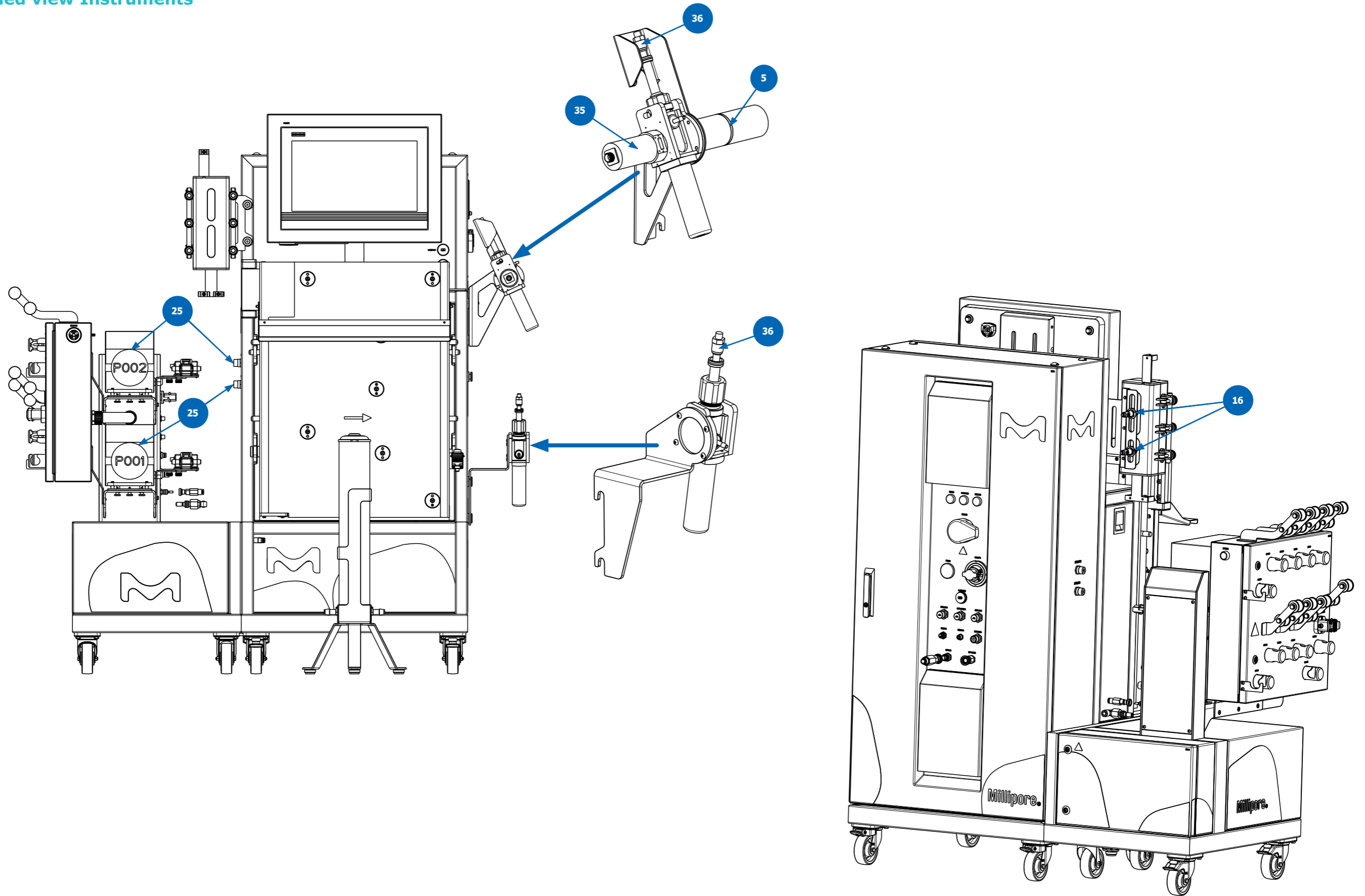
Mobius® Chrom 20 System – Spare Part List

2 Exploded view Pump Cart



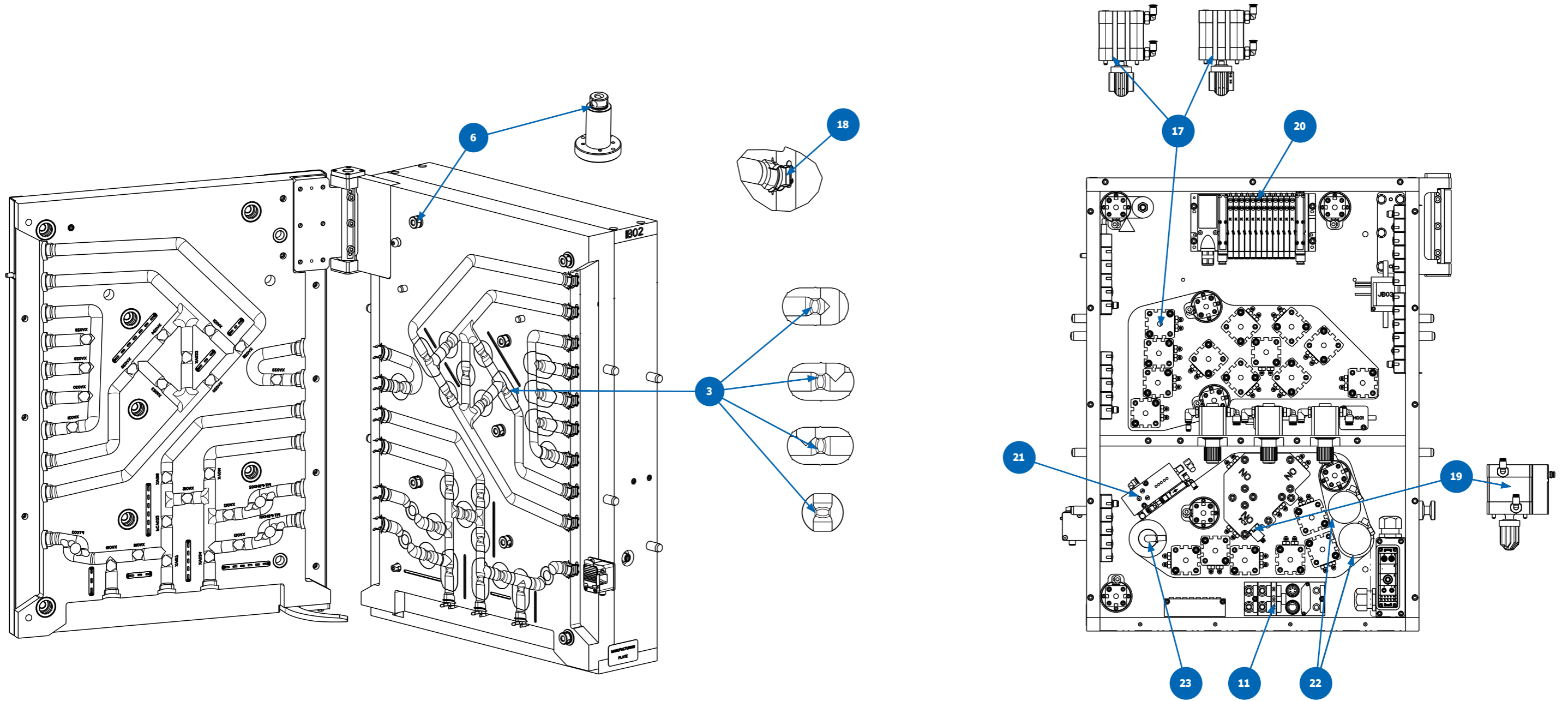
Mobius® Chrom 20 System – Spare Part List

3 Exploded view Instruments



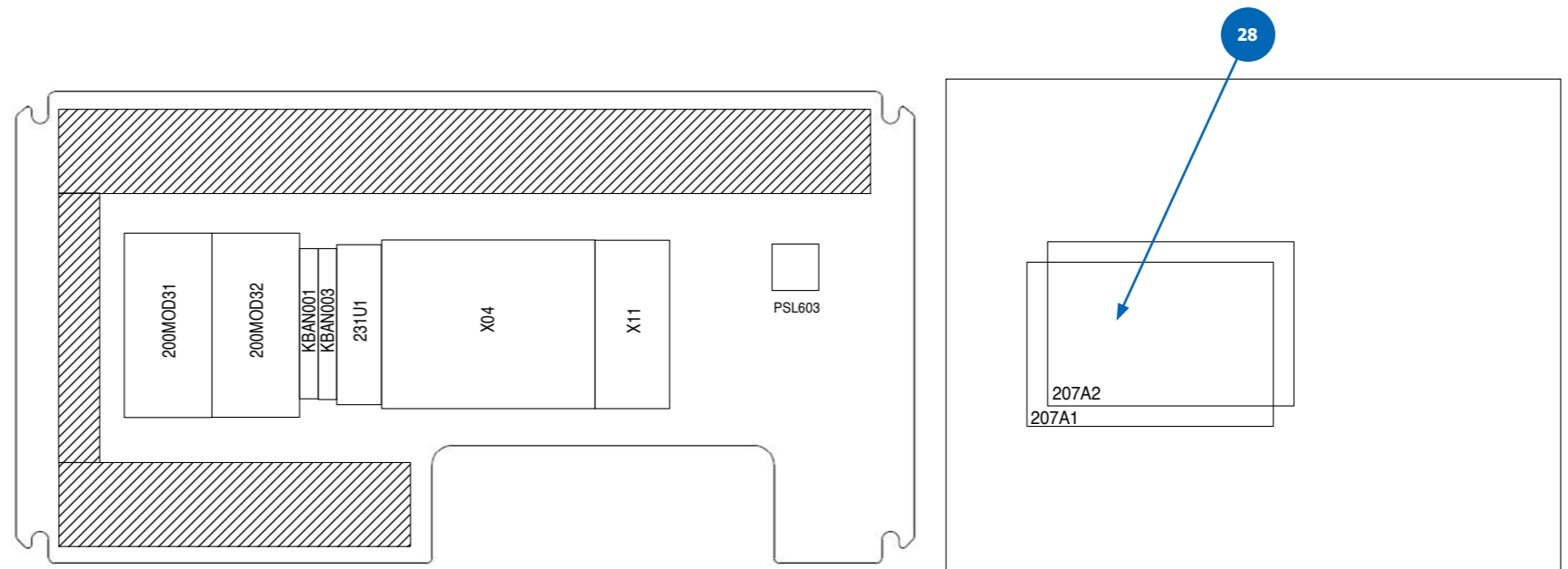
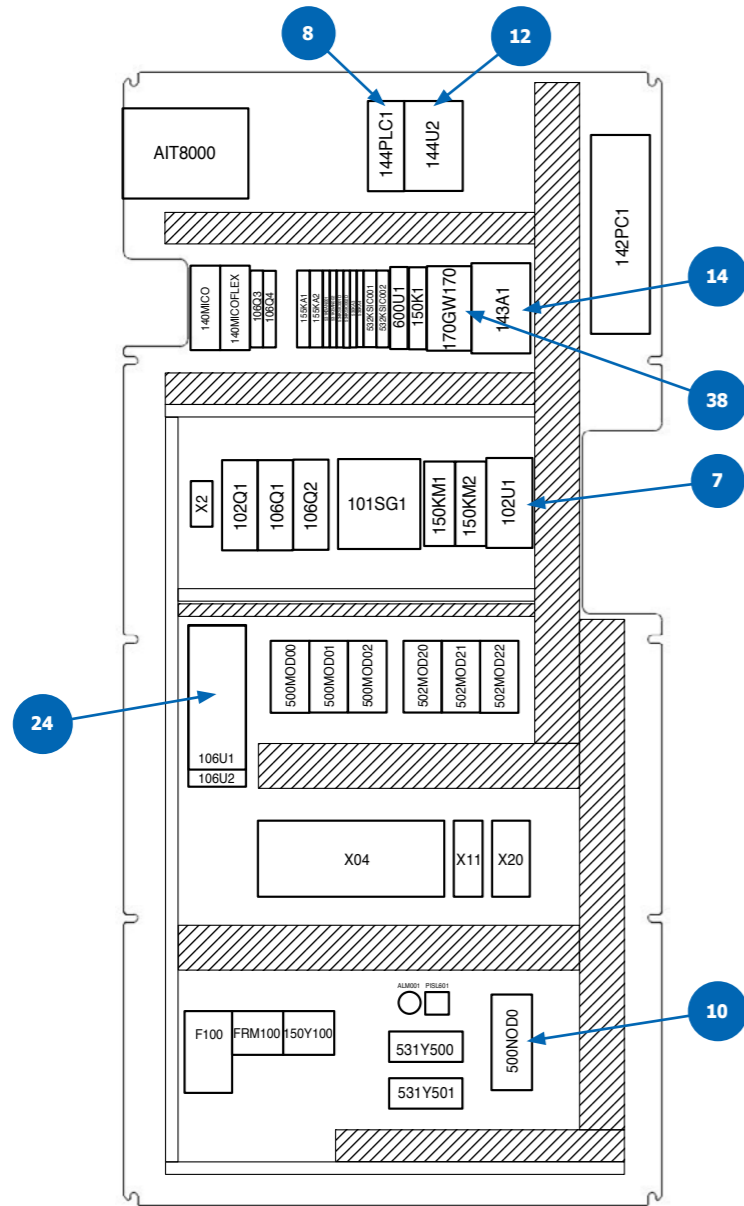
Mobius® Chrom 20 System – Spare Part List

4 Exploded view Clamshell



Mobius® Chrom 20 System – Spare Part List

5 Electric parts



For more information on services and spare parts,
please visit EMDMillipore.com/Systems-Services

