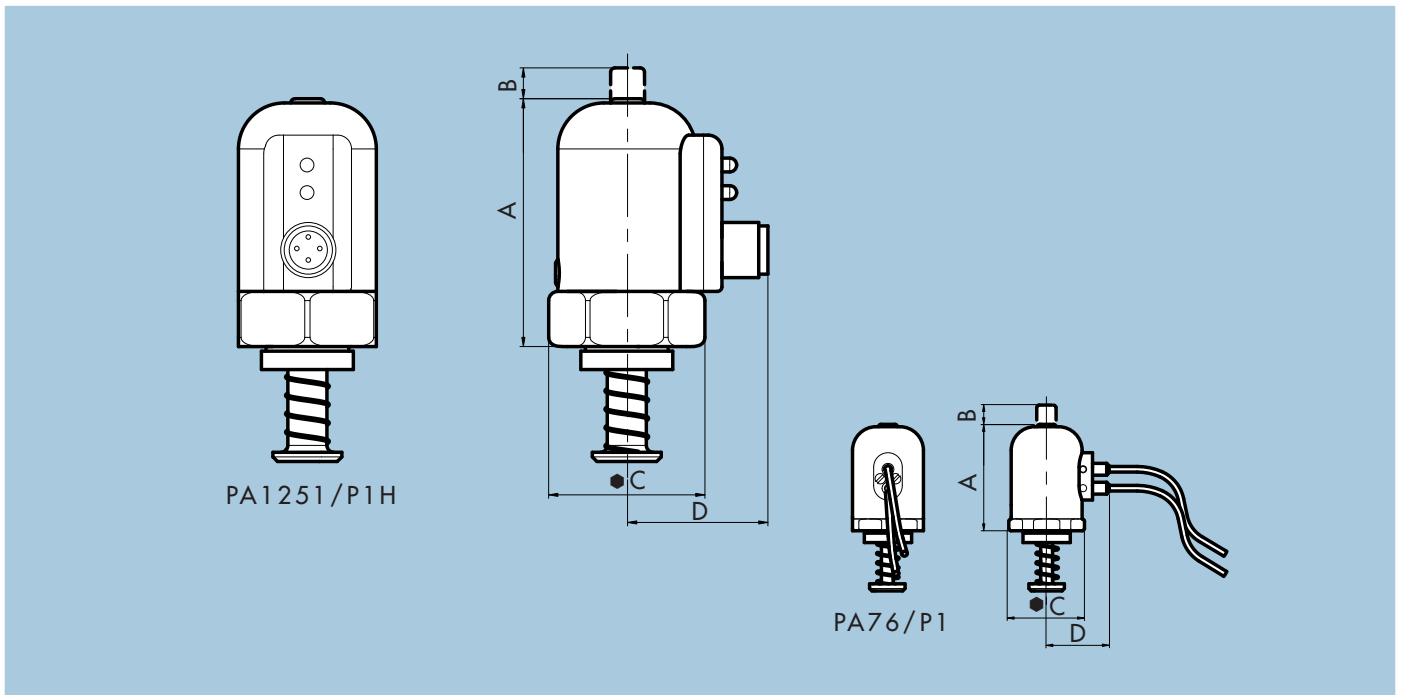


# NovAseptic® Valve Inductive Position Indicator Unit

Catalogue Number PA####/P1H and PA##/P1

## Inductive Position Indicator Unit Configuration



Nominal Dimensions in mm (in.)

Cat. No.	A	B	●C	D	Compatible Actuators		
					PA##/100	PA##/110	PA##/111
PA1251/P1H	53.0 (2.087)	5.0 (0.197)	30.0 (1.181)	30.9 (1.217)	PA12/100	PA12/110	PA12/111
PA1251/P1H	53.0 (2.087)	5.0 (0.197)	30.0 (1.181)	30.9 (1.217)	PA18/100	PA18/110	PA18/111
PA1251/P1H	53.0 (2.087)	5.0 (0.197)	30.0 (1.181)	30.9 (1.217)	PA25/100	PA25/110	PA25/111
PA1251/P1H	53.0 (2.087)	5.0 (0.197)	30.0 (1.181)	30.9 (1.217)	PA38/100	PA38/110	PA38/111
PA1251/P1H	53.0 (2.087)	5.0 (0.197)	30.0 (1.181)	30.9 (1.217)	PA51/100	PA51/110	PA51/111
PA76/P1	71.0 (2.795)	20.0 (0.787)	30.0 (1.181)	35.5 (1.398)	-	PA76/110	-

**Specifications**

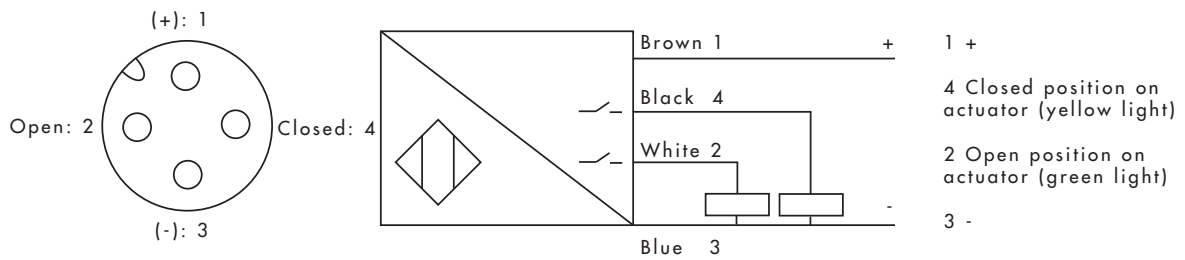
**Net Weight (approximate)**

Indicator	PA1251/P1H	PA76/P1
Weight kg (lb)	0.06 (0.13)	0.06 (0.13)

**Material**

	<p><b>Body</b> Plastic in Compliance with</p>	<p><b>Indicator</b> Plastic in Compliance with</p>
Material Code	POM C	

**Socket Connection: M12x1**



Power Supply	24V DC	
Power Limits	10 - 30V DC	
Output Current	Max 100mA in open or closed position, overload and short circuit protection.	
No Load Current Consumption	< 10mA	
Degree of Protection	IP 67	

**Specifications**

Surface Roughness: Smooth

---

Environment Temperature: 0 to 40 °C (32 to 104 °F)  
Under limited time 70 °C (158 °F)

---

Labeling: Each Indicator is labeled.

---

Packaging: The Indicator is sealed in a plastic bag.

---

Quality Control: Millipore Quality Assurance System guarantees the control and traceability of the product.

---

**To Place an Order or Receive Technical Assistance**

For additional information call your nearest Millipore office or visit us at [www.millipore.com](http://www.millipore.com).

In the U.S. and Canada, call toll-free 1-800-MILLIPORE (1-800-645-5476). In the U.S., Canada and Puerto Rico, fax orders to 1-800-MILLIFX (1-800-645-5439).

# MILLIPORE

Millipore and NovAseptic are registered trademarks of Millipore Corporation or an affiliated company.

Specifications subject to change without notice.

Lit. No. SP1124EN00 Rev. -, 09/2006. Replaces DS-069

© 2006 Millipore Corporation. All rights reserved.