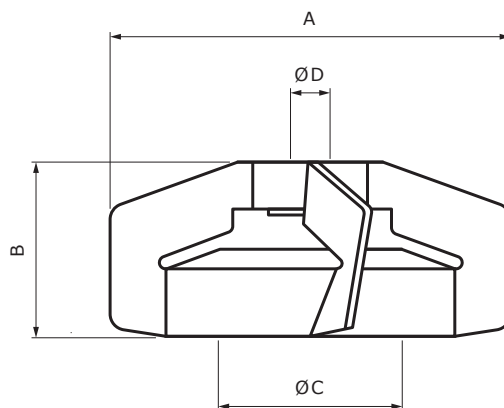


Specification Sheet

# NovAseptic® Mixer, Mixing Head, GMP (UNCD® Coated)

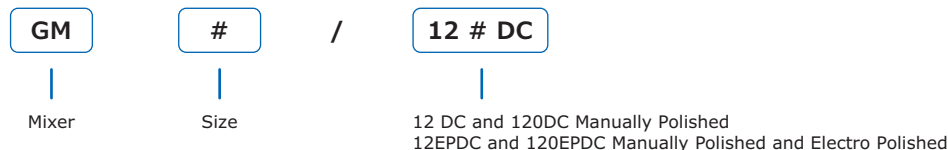
## Product Description

NovAseptic® mixers offer a complete solution for mixing throughout the process line and are designed for a wide variety of mixing applications in the pharmaceutical and biotechnology industries.



GM 50/12 DC and GM 300/12 DC

## Catalogue Number Structure



## Nominal Dimensions in mm (in.)

Catalogue No.	A	B	C	D	Compatible Mixer
GM05/12DC	96 (3.78)	52 (2.05)	34 (1.34)	12 (0.47)	GMP50
GM05/12EPDC	96 (3.78)	52 (2.05)	34 (1.34)	12 (0.47)	GMP50
GM1/12DC	120 (4.72)	53 (2.09)	56 (2.20)	12 (0.47)	GMP100
GM1/12EPDC	120 (4.72)	53 (2.09)	56 (2.20)	12 (0.47)	GMP100
GM5/120DC	142 (5.59)	71 (2.80)	56 (2.20)	20 (0.79)	GMP500
GM5/120EPDC	142 (5.59)	71 (2.80)	56 (2.20)	20 (0.79)	GMP500
GM10/120DC	160 (6.30)	71 (2.80)	64 (2.52)	20 (0.79)	GMP1000
GM10/120EPDC	160 (6.30)	71 (2.80)	64 (2.52)	20 (0.79)	GMP1000
GM20/12DC	184 (7.24)	73 (2.87)	87 (3.43)	20 (0.79)	GMP2000
GM20/12EPDC	184 (7.24)	73 (2.87)	87 (3.43)	20 (0.79)	GMP2000
GM50/12DC	192 (7.56)	115 (4.53)	106 (4.17)	30 (1.18)	GMP5000
GM50/12EPDC	192 (7.56)	115 (4.53)	106 (4.17)	30 (1.18)	GMP5000
GM100/12DC	220 (8.66)	150 (5.91)	87 (3.43)	30 (1.18)	GMP10000
GM100/12EPDC	220 (8.66)	150 (5.91)	87 (3.43)	30 (1.18)	GMP10000
GM200/12EPDC	273 (10.75)	130 (5.12)	170 (6.69)	30 (1.18)	GMP20000
GM300/12EPDC	365 (14.37)	155 (6.10)	169 (6.65)	30 (1.18)	GMP30000

## Specifications

Net Weight (approximate)					
Mixing Head	GM05/12#DC	GM1/12#DC	GM5/120#DC	GM10/120#DC	GM20/12#DC
Weight kg (lb)	0.5 (1.1)	0.9 (2.0)	1.3 (2.87)	1.7 (3.75)	1.8 (3.97)
Mixing Head	GM50/12#DC	GM100/12#DC	GM200/12EPDC	GM300/12EPDC	
Weight kg (lb)	3.4 (7.50)	5.1 (11.2)	6.7 (14.8)	9.7 (21.4)	

Material					
	Bar		Plate		Female Bearing
	Stainless steel in compliance with		Stainless steel in compliance with		UNCD coated
Material Code	316L	EN 1.4435	316L	EN 1.4435	Ceramic Sic (Ssic)

Specifications	
Surface Roughness	Surface Ra ≤ 0.38 μm (15 μin)
Surface Treatment*	Manually polished / Manually polished and Electro polished. No polishing compounds of animal origin used. UNCD coated.
Operating Temperature*	5 to 135 °C (41 to 275 °F)
pH Range	1-14
Labeling	Each male bearing is individually labeled for full traceability according to QA procedures.
Packaging	The male bearing is packaged in a closed box.
Quality Control	Our Quality Assurance system ensure the quality and traceability at all stages of the process.
Regulatory	All EPDM O-rings are in compliance with FDA regulations §177.2600 and USP Biological Tests for Plastics, Class VI. Supplied with statement.
Options	For non-standard NovAseptic® mixer options, please contact your local sales representative for additional information.

\* Note: The assembled NovAseptic® Mixer may have different design temperature and/or pressure limits. The weakest part in the assembled product determines the maximum design temperature and pressure limits.

## Technical Assistance

For more information, please visit [SigmaAldrich.com](https://www.SigmaAldrich.com) for up-to-date worldwide contact information

